

Certifix Penny washer

A4 stainless M8 × 20 × 1.5

PRODUCT DESCRIPTION

A4 Stainless steel penny washers.



APPLICATIONS

- Machine construction
- Metal construction

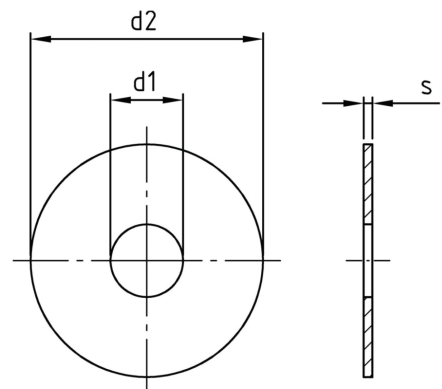
PRODUCT FEATURES

- Material: A4 stainless steel
- Washer diameter of 20 mm



TECHNICAL DATA

Outer diameter (d2):	20 mm
Inner diameter (d1):	8.4 mm
Material thickness:	1.5 mm



NOTE: The results expressed in this document are determined from empirical testing. Specifiers, end-users and other third parties should make their own decision(s) on what safety factors to use relevant to their design(s)/ application(s). This document is provided, strictly: without prejudice, without recourse, without liability, non-assumpsit, no assured value, errors and omissions excepted, subject to change without notice and all rights reserved.
©Certifix Ltd, 2023