



# DECLARATION OF PERFORMANCE

## DoP 0232

for fischer injection system FIS V Plus (Metal injection anchors for use in masonry)

EN

1. <u>Unique identification code of the product-type:</u>	<b>DoP 0232</b>
2. <u>Intended use/es:</u>	<b>Post-installed fastening in masonry units. See appendix, especially annexes</b>
3. <u>Manufacturer:</u>	<b>B1- B20 fischerwerke GmbH &amp; Co. KG, Otto-Hahn-Straße 15, 79211 Denzlingen, Germany</b>
4. <u>Authorised representative:</u>	–
5. <u>System/s of AVCP:</u>	1
6. <u>European Assessment Document:</u> European Technical Assessment: Technical Assessment Body: Notified body/ies:	<b>EAD 330076-00-0604, Edition 11/ 2017 ETA-20/0729; 2020-11-26 DIBt- Deutsches Institut für Bautechnik 2873 TU Darmstadt</b>
7. <u>Declared performance/s:</u> <b>Mechanical resistance and stability (BWR 1)</b> Characteristic values for resistance:	<p>Reduction factor: Annex C110</p> <p>Characteristic resistance of a single anchor under tension loading: See appendix, especially annexes B3, C1, C3, C5, C7, C9, C11, C13, C15, C17, C19, C22, C25, C27, C30, C34, C38, C42, C46, C50, C54, C58, C61, C63, C66, C69, C73, C77, C80, C82, C84, C87, C90, C93, C96, C99, C102, C104, C107, C109</p> <p>Characteristic resistance of an anchor group under tension loading: Annex B20</p> <p>Characteristic resistance of a single anchor under shear loading: See appendix, especially annexes B3, C2, C3, C5, C7, C9, C11, C13, C15, C17, C19, C23, C25, C27, C31, C35, C39, C43, C47, C51, C55, C59, C61, C64, C66, C70, C74, C78, C80, C82, C84, C88, C90, C94, C96, C100, C102, C104, C107, C109</p> <p>Characteristic resistance of an anchor group under shear loading without and with edge influence: Annex B20</p> <p>Characteristic edge distance and spacing: See appendix, especially annexes B20, C4, C6, C8, C10, C12, C14, C16, C18, C20, C21, C24, C26, C28, C29, C32, C33, C36, C37, C40, C41, C44, C45, C48, C49, C52, C53, C56, C57, C60, C62, C65, C67, C68, C71, C72, C75, C76, C79, C81, C83, C85, C86, C89, C91, C92, C95, C97, C98, C101, C103, C105, C108</p> <p>Minimum edge distance and spacing: See appendix, especially annexes B20, C4, C6, C8, C10, C12, C14, C16, C18, C20, C21, C24, C26, C28, C29, C32, C33, C36, C37, C40, C41, C44, C45, C48, C49, C52, C53, C56, C57, C60, C62, C65, C67, C68, C71, C72, C75, C76, C79, C81, C83, C85, C86, C89, C91, C92, C95, C97, C98, C101, C103, C105, C108</p> <p>Group factor under tension and shear loading: See appendix, especially annexes B20, C4, C6, C8, C10, C12, C14, C16, C18, C20, C21, C24, C26, C28, C29, C32, C33, C36, C37, C40, C41, C44, C45, C48, C49, C52, C53, C56, C57, C60, C62, C65, C67, C68, C71, C72, C75, C76, C79, C81, C83, C85, C86, C89, C91, C92, C95, C97, C98, C101, C103, C106, C108</p> <p>Minimum member thickness: Annex B2</p>
Durability:	Annexes A5, B2
Displacements :	Annex C110
<b>Safety in case of fire (BWR 2)</b> Reaction to fire:	Class (A1)
<b>Hygiene, health and the environment (BWR 3)</b> Content, emission and/or release of dangerous substances:	NPD



8. Appropriate Technical Documentation and/or Specific –  
Technical Documentation:

The performance of the product identified above is in conformity with the set of declared performance/s. This declaration of performance is issued, in accordance with Regulation (EU) No 305/2011, under the sole responsibility of the manufacturer identified above.

Signed for and on behalf of the manufacturer by:

Dr. Oliver Geibig, Managing Director Business Units & Engineering  
Tumlingen, 2020-12-10

Jürgen Grün, Managing Director Chemistry & Quality

This DoP has been prepared in different languages. In case there is a dispute on the interpretation the English version shall always prevail.

The Appendix includes voluntary and complementary information in English language exceeding the (language-neutrally specified) legal requirements.

## Specific Part

### 1 Technical description of the product

The Fischer injection system FIS V Plus for masonry is a bonded anchor (injection type) consisting of a mortar cartridge with injection mortar Fischer FIS V Plus, FIS VS Plus Low Speed and FIS VW Plus High Speed, a perforated sieve sleeve and an anchor rod with hexagon nut and washer or an internal threaded rod in the range of M6 to M16. The steel elements are made of zinc coated steel, stainless steel or high corrosion resistant steel.

The anchor rod is placed into a drilled hole filled with injection mortar and is anchored via the bond between steel element, injection mortar and masonry and mechanical interlock.

The product description is given in Annex A.

### 2 Specification of the intended use in accordance with the applicable European Assessment Document

The performances given in Section 3 are only valid if the anchor is used in compliance with the specifications and conditions given in Annex B.

The verifications and assessment methods on which this European Technical Assessment is based lead to the assumption of a working life of the anchor of at least 50 years. The indications given on the working life cannot be interpreted as a guarantee given by the producer, but are to be regarded only as a means for choosing the right products in relation to the expected economically reasonable working life of the works.

### 3 Performance of the product and references to the methods used for its assessment

#### 3.1 Mechanical resistance and stability (BWR 1)

Essential characteristic	Performance
Characteristic values for resistance	See Annexes B20, C 1 to C 110
Displacements	See Annex C 110
Durability	See annex B 2

#### 3.2 Safety in case of fire (BWR 2)

Essential characteristic	Performance
Reaction to fire	Class A1

#### 3.3 Hygiene, health and the environment (BWR 3)

Essential characteristic	Performance
Content, emission and/or release of dangerous substances	No performance assessed

### 4 Assessment and verification of constancy of performance (AVCP) system applied, with reference to its legal base

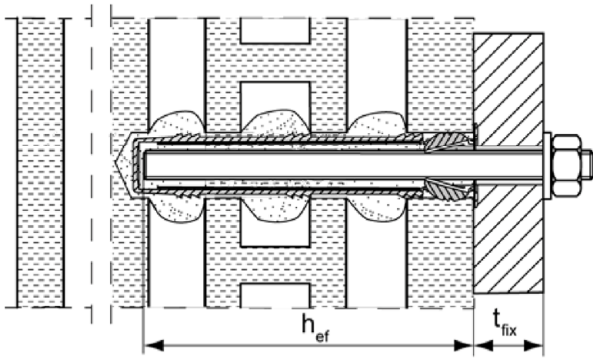
In accordance with the European Assessment Document EAD 330076-00-0604 the applicable European legal act is: [97/177/EC].

The system to be applied is: 1

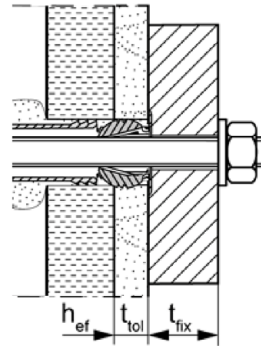
# Installation conditions part 1

## Anchor rods with perforated sleeve FIS H K; Installation in perforated and solid brick masonry

### Pre-positioned anchorage:

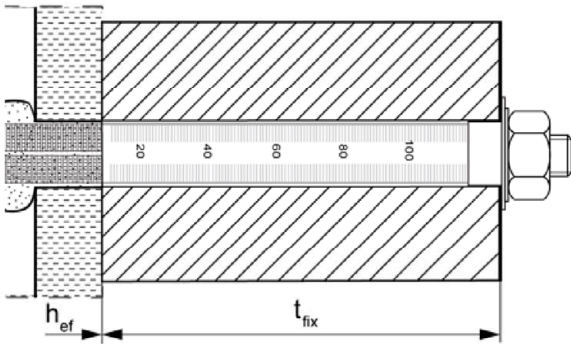


### Installation with render bridge

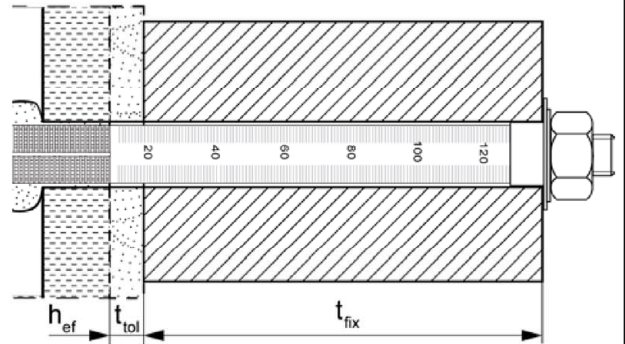


Size of the perforated sleeve: FIS H 12x50 K FIS H 16x85 K FIS H 20x85 K FIS H 20x200 K  
 FIS H 12x85 K FIS H 16x130 K FIS H 20x130 K

### Push through anchorage:



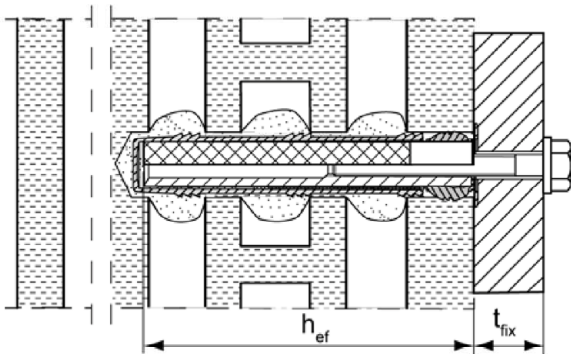
### Installation with render bridge



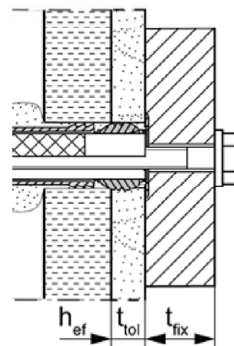
Size of the perforated sleeve: FIS H 18x130/200 K FIS H 22x130/200 K

## Internal threaded anchor FIS E with perforated sleeve FIS H K; Installation in perforated and solid brick masonry

### Pre-positioned anchorage:



### Installation with render bridge



Pictures not to scale

$h_{ef}$  = effective anchorage depth

$t_{tol}$  = thickness of unbearing layer (e.g. plaster)

$t_{fix}$  = thickness of fixture

fischer injection system FIS V Plus for masonry

### Product description

Installation conditions part 1,  
 Anchor rods and internal threaded anchor with perforated sleeve

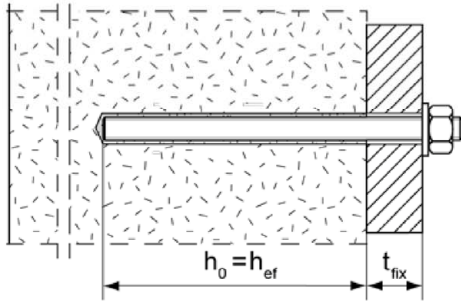
**Annex A 1**

Appendix 2 / 136

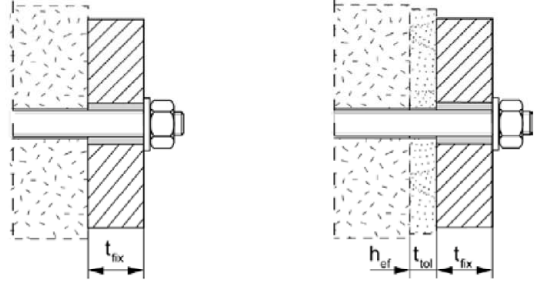
## Installation conditions part 2

**Anchor rods without perforated sleeve FIS H K;  
installation in solid brick masonry and autoclaved aerated concrete**

**Pre-positioned anchorage:**



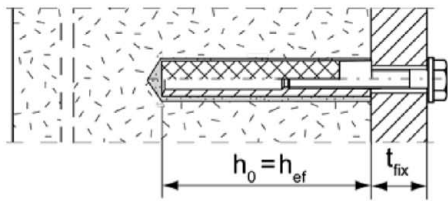
**Push through anchorage: Annular gap filled with mortar**



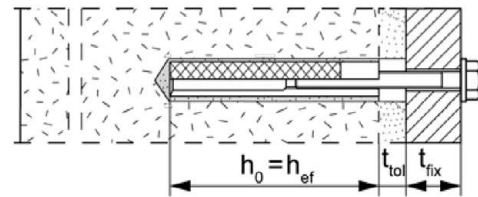
Installation with  
render bridge

**Internal threaded anchors FIS E without perforated sleeve FIS H K;  
installation in solid brick masonry and autoclaved aerated concrete**

**Pre-positioned anchorage:**



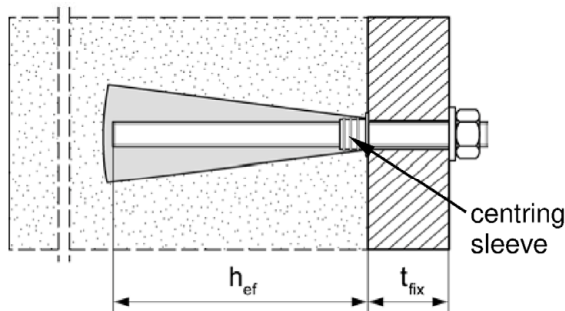
Installation with render bridge



**Anchor rods and internal threaded anchors FIS E without perforated sleeve FIS H K; installation with  
centring sleeve in autoclaved aerated concrete with conical drill hole  
(installation with special conic drill bit PBB)**

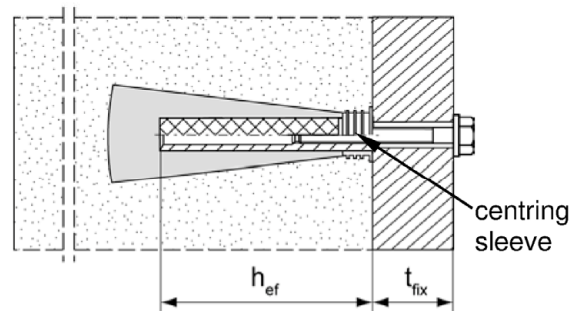
**Pre-positioned anchorage:**

anchor rods M8, M10, M12



**Pre-positioned anchorage:**

Internal threaded anchor FIS E 11x85 M6 / M8



Pictures not to scale

$h_0$  = depth of drill hole

$t_{tol}$  = thickness of unbearing layer (e.g. plaster)

$h_{ef}$  = effective anchorage depth

$t_{fix}$  = thickness of fixture

fischer injection system FIS V Plus for masonry

### Product description

Installation conditions part 2, Anchor rods and internal threaded anchor without perforated sleeve / with centring sleeve

**Annex A 2**

Appendix 3 / 136

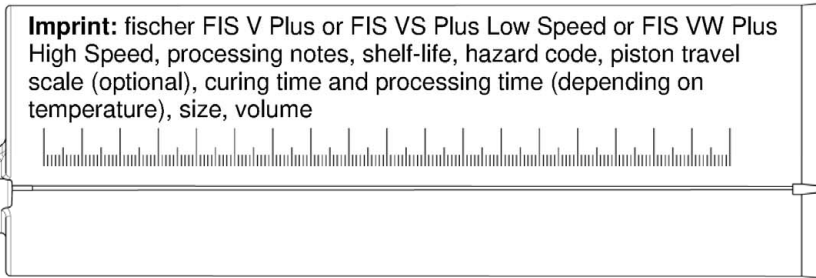
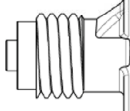
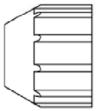
# Overview system components part 1

## Mortar cartridge (shuttle cartridge) with sealing cap

1

Size: 350 ml, 360 ml, 390 ml, 550 ml, 825 ml

**Imprint:** fischer FIS V Plus or FIS VS Plus Low Speed or FIS VW Plus High Speed, processing notes, shelf-life, hazard code, piston travel scale (optional), curing time and processing time (depending on temperature), size, volume

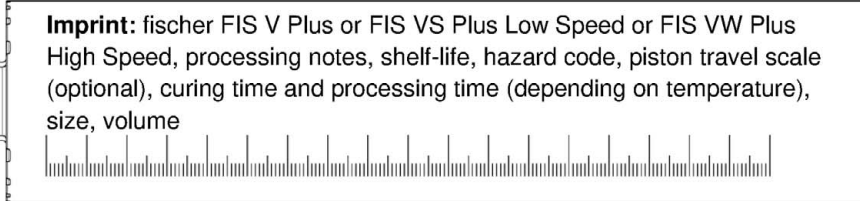
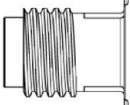
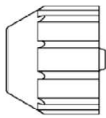


## Mortar cartridge (coaxial cartridge) with sealing cap

1

Size: 100 ml, 150 ml, 300 ml, 380 ml, 400 ml, 410 ml

**Imprint:** fischer FIS V Plus or FIS VS Plus Low Speed or FIS VW Plus High Speed, processing notes, shelf-life, hazard code, piston travel scale (optional), curing time and processing time (depending on temperature), size, volume

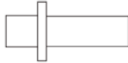


## Static mixer MR Plus with injection adapter and center sleeve for aerated concrete

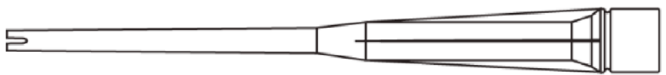
centring sleeve



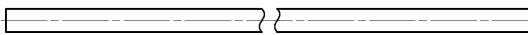
Injection adapter



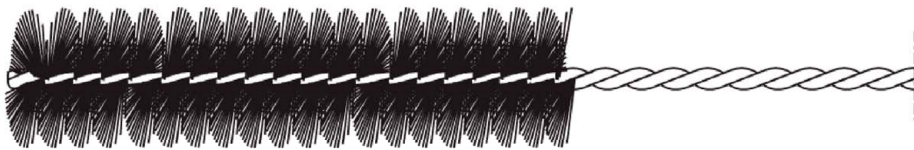
Static mixer



Extension tube



## Cleaning brush BS



## Blow-out pump ABG or ABP



Pictures not to scale

fischer injection system FIS V Plus for masonry

### Product description

Overview system components part 1: cartridge / static mixer / cleaning tools

**Annex A 3**

Appendix 4 / 136

## Overview system components part 2

### fischer anchor rod

2



Size: M6, M8, M10, M12, M16

### Internal threaded anchor FIS E

5



Size: 11x85 M6 / M8  
15x85 M10 / M12

### Perforated sleeve FIS H K

7



Size: FIS H 12x50 K  
FIS H 12x85 K  
FIS H 16x85 K  
FIS H 20x85 K

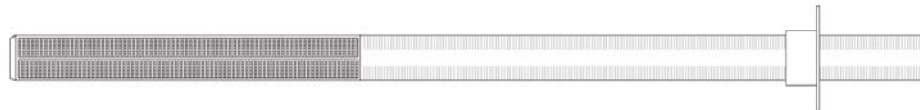
7



Size: FIS H 16x130 K  
FIS H 20x130 K  
FIS H 20x200 K

### Perforated sleeve FIS H K (push through anchorage)

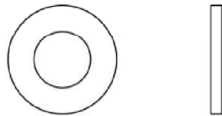
7



Size:  
FIS H 18x130/200 K  
FIS H 22x130/200 K

### Washer

3



### Hexagon nut

4



Pictures not to scale

fischer injection system FIS V Plus for masonry

#### Product description

Overview system components part 2: steel parts / perforated sleeve

**Annex A 4**

Appendix 5 / 136

**Table A5.1: Materials**

Part	Designation	Material		
1	Mortar cartridge	Mortar, hardener; filler		
		Steel	Stainless steel R	High corrosion-resistant steel HCR
		zinc plated	acc. to EN 10088-1:2014 Corrosion resistance class CRC III acc. to EN 1993-1-4:2015	acc. to EN 10088-1:2014 Corrosion resistance class CRC V acc. to EN 1993-1-4:2015
2	Anchor rod	Property class 4.6; 4.8; 5.8 oder 8.8; EN ISO 898-1: 2013 zinc plated $\geq 5\mu\text{m}$ , ISO 4042:2018 Zn5/An(A2K) or hot-dip galvanised EN ISO 10684:2004 $f_{uk} \leq 1000 \text{ N/mm}^2$ $A_5 > 8\%$ fracture elongation	Property class 50, 70 or 80 EN ISO 3506-1:2009 1.4401; 1.4404; 1.4578; 1.4571; 1.4439; 1.4362; 1.4062; 1.4662; 1.4462; EN 10088-1:2014 $f_{uk} \leq 1000 \text{ N/mm}^2$ $A_5 > 8\%$ fracture elongation	Property class 50 or 80 EN ISO 3506-1:2009 or property class 70 with $f_{yk} = 560 \text{ N/mm}^2$ 1.4565; 1.4529 EN 10088-1:2014 $f_{uk} \leq 1000 \text{ N/mm}^2$ $A_5 > 8\%$ fracture elongation
3	Washer ISO 7089:2000	zinc plated $\geq 5\mu\text{m}$ , ISO 4042:2018 Zn5/An(A2K) or hot-dip galvanised EN ISO 10684:2004	1.4401; 1.4404; 1.4578; 1.4571; 1.4439; 1.4362; EN 10088-1:2014	1.4565; 1.4529 EN 10088-1:2014
4	Hexagon nut	Property class 5 or 8; EN ISO 898-2:2012 zinc plated $\geq 5\mu\text{m}$ , ISO 4042:2018 Zn5/An(A2K) or hot-dip galvanised ISO 10684:2004	Property class 50, 70 or 80 EN ISO 3506-1:2009 1.4401; 1.4404; 1.4578; 1.4571; 1.4439; 1.4362; EN 10088-1:2014	Property class 50, 70 or 80 EN ISO 3506-1:2009 1.4565; 1.4529 EN 10088-1:2014
5	Internal threaded anchor FIS E	Property class 5.8; EN 10277-1:2008-06 zinc plated $\geq 5\mu\text{m}$ , ISO 4042:2018 Zn5/An(A2K)	Property class 70 EN ISO 3506-1:2009 1.4401; 1.4404; 1.4578; 1.4571; 1.4439; 1.4362; EN 10088-1:2014	Property class 70 EN ISO 3506-1:2009 1.4565; 1.4529 EN 10088-1:2014
6	Commercial standard screw or threaded rod for internal threaded anchor FIS E	Property class 5.8 or 8.8; EN ISO 898-1:2013 zinc plated $\geq 5\mu\text{m}$ , ISO 4042:2018 Zn5/An(A2K)	Property class 70 EN ISO 3506-1:2009 1.4401; 1.4404; 1.4578; 1.4571; 1.4439; 1.4362; EN 10088-1:2014	Property class 70 EN ISO 3506-1:2009 1.4565; 1.4529 EN 10088-1:2014
7	Perforated sleeve and centring sleeve	PP / PE		

fischer injection system FIS V Plus for masonry

**Product description**  
Materials



**Annex A 5**

Appendix 6 / 136



## Specifications of intended use (part 1)

**Table B1.1:** Overview use and performance categories

Anchorages subject to		fischer injection system FIS V Plus for masonry	
Hole drilling with hammer drill mode 		all bricks; without C28 to C48, C75 to C78	
Hole drilling with rotary drill mode 		all bricks	
Static and quasi static load, in masonry		all bricks	
Use category	dry or wet masonry	all bricks	
Installation	Pre-positioned anchorage	Anchor rod or internal threaded anchor (in solid brick masonry and autoclaved aerated concrete)	Perforated sleeve with anchor rod or internal threaded anchor (in perforated and solid brick masonry)  Size: FIS H 12x50 K FIS H 12x85 K FIS H 16x85 K FIS H 16x130 K FIS H 20x85 K FIS H 20x130 K FIS H 20x200 K
	Push through anchorage	Anchor rod; use only in cylindrical drill hole (in solid brick masonry and autoclaved aerated concrete)	Perforated sleeve with anchor rod (in perforated and solid brick masonry)  Size: FIS H 18x130/200 K FIS H 22x130/200 K
Installation conditions	category d/d	all bricks	
	category w/d		
	category w/w		
Installation direction		D3 (downward and horizontal and upwards (e.g. overhead) installation)	
Installation temperature		$T_{i,min} = 0\text{ °C}$ bis $T_{i,max} = +40\text{ °C}$	
In-service temperature	Temperature range Tb	-40 °C to +80 °C	(max. short term temperature +80 °C max. long term temperature +50 °C)
	Temperature range Tc	-40 °C to +120 °C	(max. short term temperature +120 °C; max. long term temperature +72 °C)

fischer injection system FIS V Plus for masonry

**Intended Use**  
Specifications (part 1)

**Annex B 1**

Appendix 7 / 136

## Specifications of intended use (part 2)

### Anchorage subject to:

- Static and quasi-static loads

### Base materials:

- Solid brick masonry (Use category b) and autoclaved aerated concrete (Use category d), acc. to Annex B 13 / B 14
- Hollow brick masonry (use category c), according to Annex B 13 / B 14
- For minimum thickness of masonry member is  $h_{ef}+30\text{mm}$
- Mortar strength class of the masonry M2,5 at minimum according to EN 998-2:2010
- For other bricks in solid masonry, hollow or perforated masonry and autoclaved aerated concrete, the characteristic resistance of the anchor may be determined by job site tests according to EOTA Technical Report TR 053, Annex B under consideration of the  $\beta$ -factor according to Annex C 110, Table C110.1

Note (only applies to solid bricks and autoclaved aerated concrete):

The characteristic resistance is also valid for larger brick sizes, higher compressive strength and higher raw density of the masonry unit.

### Temperature Range:

- **Tb:** From -40°C to +80°C (max. short term temperature +80°C and max. long term temperature +50°C)
- **Tc:** From -40°C to +120°C (max. short term temperature +120°C and max. long term temperature +72°C)

### Use conditions (Environmental conditions):

- **X1:** Structures subject to dry internal conditions exist  
(zinc coated steel, stainless steel or high corrosion resistant steel)
- **X2:** Structures subject to external atmospheric exposure including industrial and marine environment or exposure to permanently damp internal condition, if no particular aggressive conditions exist  
(stainless steel or high corrosion resistant steel)
- **X3:** Structures subject to external atmospheric exposure and to permanently damp internal condition, if other particular aggressive conditions exist (high corrosion resistant steel)

Note: Particular aggressive conditions are e.g. permanent, alternating immersion in seawater or the splash zone of seawater, chloride atmosphere of indoor swimming pools or atmosphere with extreme chemical pollution (e.g. in desulphurization plants or road tunnels where de-icing materials are used)

fischer injection system FIS V Plus for masonry

**Intended Use**  
Specifications (part2)

**Annex B 2**

Appendix 8 / 136

## Specifications of intended use (part 2 continued)

### Design:

- The anchorages have to be designed in accordance with EOTA Technical Report TR 054, Design method A under the responsibility of an engineer experienced in anchorages and masonry work.

Applies to all bricks, if no other values are specified:

$$N_{Rk} = N_{Rk,b} = N_{Rk,p}$$

$$V_{Rk} = V_{Rk,b} = V_{Rk,c}$$

For the Calculation of pulling out a brick under tension load  $N_{Rk,pb}$  or pushing out a brick under shear load  $V_{Rk,pb}$  see EOTA Technical Report TR 054.

$N_{Rk,s}$ ,  $V_{Rk,s}$  and  $M^0_{Rk,s}$  see annex C1-C3

Factors for job site tests and displacements see Annex C110

- Verifiable calculation notes and drawings have to be prepared taking account the relevant masonry in the region of the anchorage, the loads to be transmitted and their transmission to the supports of the structure. The position of the anchor is indicated on the design drawings.

### Installation:

- Category d/d: - Installation and use in dry structures
- Category w/w: - Installation and use in dry and wet structures
- Category w/d: - Installation in wet structures and use in dry structures
- Hole drilling see Annex C (drilling method)
- In case of aborted hole: The hole shall be filled with mortar
- Bridging of unbearing layer (e.g. plaster) at perforated brick masonry see Annex B 6, Table B6.1
- Anchor installation carried out by appropriately qualified personnel and under the supervision of the person responsible for technical matters of the site
- Fastening screws or anchor rods (including nut and washer) must comply with the appropriate material and property class of the fischer internal threaded anchor FIS E.
- minimum curing time see Annex B 8, Table B8.2
- Commercial standard threaded rods, washers and hexagon nuts may also be used if the following requirements are fulfilled:

Material dimensions and mechanical properties of the metal parts according to the specifications are given in Annex A 5, Table 5.1

Conformation of material and mechanical properties of the metal parts by inspection certificate 3.1 according to EN 10204:2004, the documents shall be stored

Marking of the anchor rod with the envisage embedment depth. This may be done by the manufacturer of the rod or by a person on job site

fischer injection system FIS V Plus for masonry

**Intended Use**  
Specifications (part2 continued)

**Annex B 3**

Appendix 9 / 136

**Table B4.1:** Installation parameters for anchor rods in solid bricks and autoclaved aerated concrete without perforated sleeves

Anchor rod	Thread	M6	M8	M10	M12	M16
Nominal drill hole diameter	$d_0$ [mm]	8	10	12	14	18
Effective anchorage depth $h_{ef}^{1)}$ in AAC cylindrical drill hole	$h_{0,min}=h_{ef,min}$ [mm]	100				
	$h_{0,max}=h_{ef,max}$ [mm]	200				
Effective anchorage depth $h_{ef}^{1)}$ in AAC conical drill hole	$h_0$ [mm]	-	$h_{ef} + 5$			-
	$h_{ef,1}$ [mm]		75			
	$h_{ef,2}$ [mm]		95			
Effective anchorage depth $h_{ef}^{1)}$ in solid brick (depth of drill hole $h_0 = h_{ef}$ )	$h_{ef,min}$ [mm]	50				
	$h_{ef,max}$ [mm]	$h-30, \leq 200$				
Diameter of clearance hole in the fixture	pre-position $d_f \leq$ [mm]	7	9	12	14	18
	push through $d_f \leq$ [mm]	9	11	14	16	20
Diameter of cleaning brush	$d_b \geq$ [mm]	see Table B8.1				
Maximum installation torque	$T_{inst}$ [Nm]	see parameters of brick				

<sup>1)</sup>  $h_{ef,min} \leq h_{ef} \leq h_{ef,max}$  is possible.

**fischer anchor rods M6, M8, M10, M12, M16**

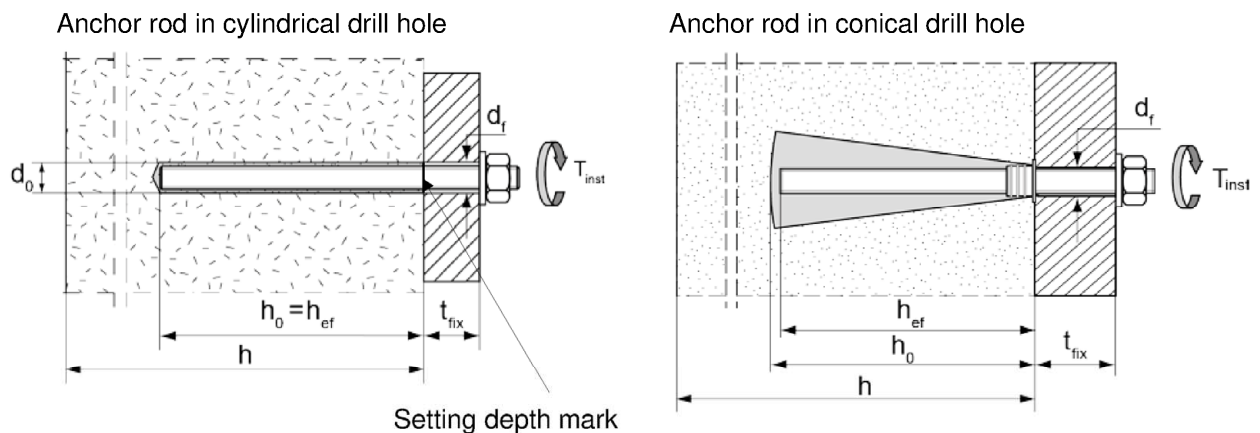


**Marking (on random place) fischer anchor rod:**

Steel zinc plated PC <sup>1)</sup> 8.8	• or +	Steel hot-dip galvanised PC <sup>1)</sup> 8.8	•
High corrosion resistant steel HCR PC <sup>1)</sup> 50	•	High corrosion resistant steel HCR PC <sup>1)</sup> 70	–
High corrosion resistant steel HCR PC <sup>1)</sup> 80	(	Stainless steel R property class 50	~
Stainless steel R property class 80	*		

Alternatively: Colour coding according to DIN 976-1: 2016; <sup>1)</sup> PC = property class  
property class 4.6 marking according to EN ISO 898-1:2013

**Installation conditions:**



Pictures not to scale

fischer injection system FIS V Plus for masonry

**Intended Use**  
Installation parameters for anchor rods without perforated sleeve

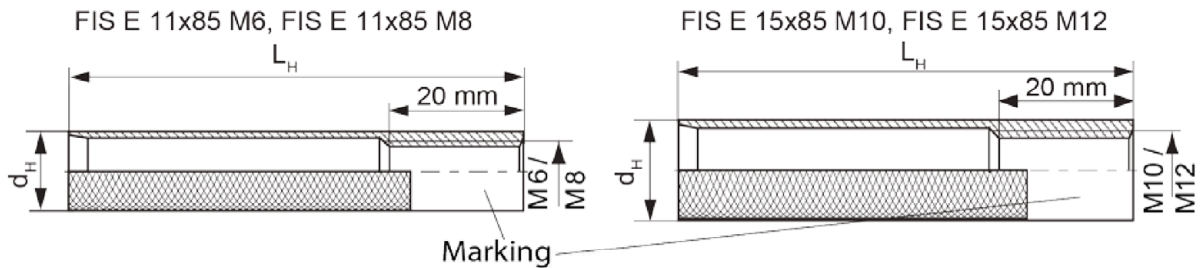
**Annex B 4**

Appendix 10 / 136

**Table B5.1:** Installation parameters for internal threaded anchors FIS E in solid bricks and autoclaved aerated concrete without perforated sleeves

Internal threaded anchor FIS E		11x85 M6	11x85 M8	15x85 M10	15x85 M12
Diameter of anchor	$d_H$ [mm]	11		15	
Nominal drill hole diameter	$d_0$ [mm]	14		18	
Length of anchor	$L_H$ [mm]	85			
Effective anchorage depth	$h_0 = h_{ef}$ [mm]	85			
Effective anchorage depth $h_{ef}$ in AAC (conical drill hole)	$h_0$ [mm]	100		-	
	$h_{ef}$ [mm]	85			
Diameter of cleaning brush	$d_b \geq$ [mm]	see Table B8.1			
Maximum installation torque	$T_{inst}$ [Nm]	see parameters of brick			
Diameter of clearance hole in the fixture	$d_f$ [mm]	7	9	12	14
Screw-in depth	$l_{E,min}$ [mm]	6	8	10	12
	$l_{E,max}$ [mm]	60			

**fischer Internal threaded anchor FIS E**



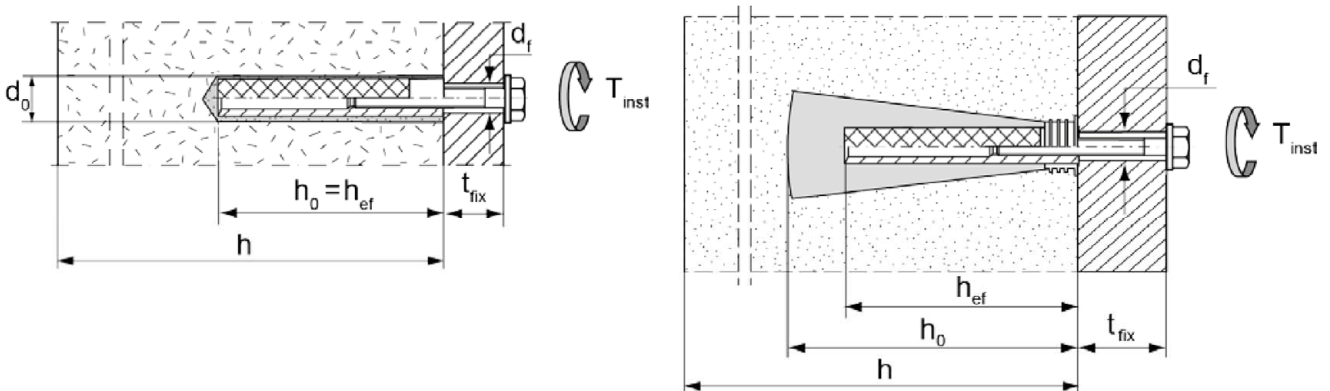
**Marking:**

Size, e.g. **M8**, Stainless steel: R, e.g. **M8 R**, High corrosion-resistant steel: HCR, e.g. **M8 HCR**

**Installation conditions:**

Internal threaded anchor in cylindrical drill hole

Internal threaded anchor in conical drill hole



Pictures not to scale

fischer injection system FIS V Plus for masonry

**Intended Use**

Installation parameters for internal threaded rods FIS E without perforated sleeve

**Annex B 5**

**Table B6.1:** Installation parameters for anchor rods and internal threaded anchors FIS E with perforated sleeves (pre-positioned anchorage)

perforated sleeve FIS H K		12x50	12x85 <sup>2)</sup>	16x85	16x130 <sup>2)</sup>	20x85	20x130 <sup>2)</sup>	20x200 <sup>2)</sup>
Nominal drill hole diameter $d_0 = D_{\text{sleeve, nom}}$	$d_0$ [mm]	12		16		20		
Depth of drill hole	$h_0$ [mm]	55	90	90	135	90	135	205
Effective anchorage depth	$h_{\text{ef, min}}$ [mm]	50	65	85	110	85	110	180
	$h_{\text{ef, max}}$ [mm]	50	85	85	130	85	130	200
Size of threaded rod	[-]	M6 und M8		M8 und M10		M12 und M16		
Size of internal threaded anchor FIS E		-	-	11x85	-	15x85	-	-
Diameter of cleaning brush <sup>1)</sup>	$d_b \geq$ [mm]	see Table B8.1						
Maximum installation torque	$T_{\text{inst}}$ [Nm]	see parameters of brick						

<sup>1)</sup> Only for solid areas in hollow bricks and solid bricks.

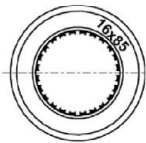
<sup>2)</sup> Bridging of unbearing layer (e.g. plaster) is possible. When reducing the effective anchorage depth  $h_{\text{ef, min}}$ , the values of the next shorter perforated sleeve of the same diameter must be used. The smaller value of characteristic resistance must be taken.

**Perforated sleeve**

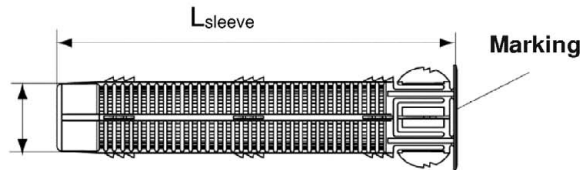
FIS H 12x50 K; FIS H 12x85 K; FIS H 16x85 K; FIS H 16x130 K;  
FIS H 20x85 K; FIS H 20x130 K; FIS H 20x200 K

**Marking:**

Size  $D_{\text{sleeve, nom}} \times L_{\text{sleeve}}$   
(e.g.: 16x85)



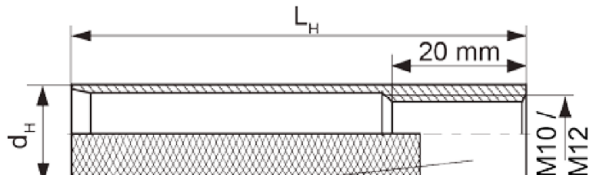
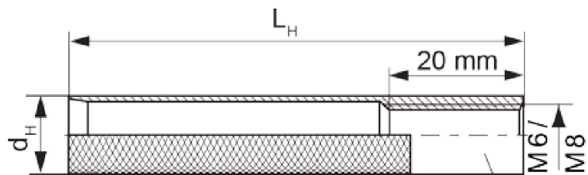
$D_{\text{sleeve, nom}}$



**fischer Internal threaded anchor FIS E**

FIS E 11x85 M6, FIS E 11x85 M8

FIS E 15x85 M10, FIS E 15x85 M12

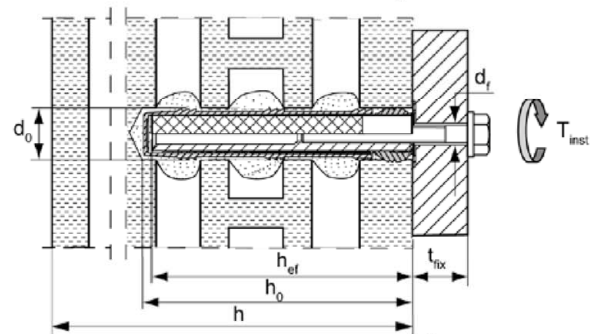
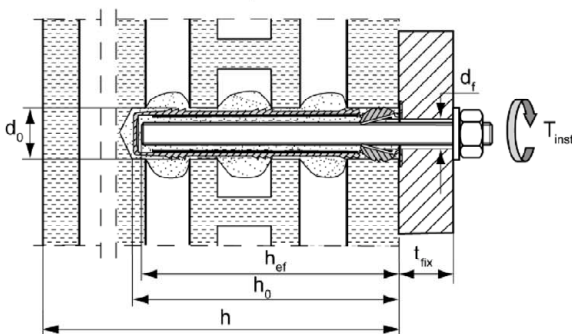


Marking

**Installation conditions:**

Anchor rod with perforated sleeve

Internal threaded anchor with perforated sleeve



Pictures not to scale

fischer injection system FIS V Plus for masonry

**Intended Use**

Installation parameters for anchor rods and internal threaded anchors FIS E with perforated sleeve (pre-positioned anchorage)

**Annex B 6**

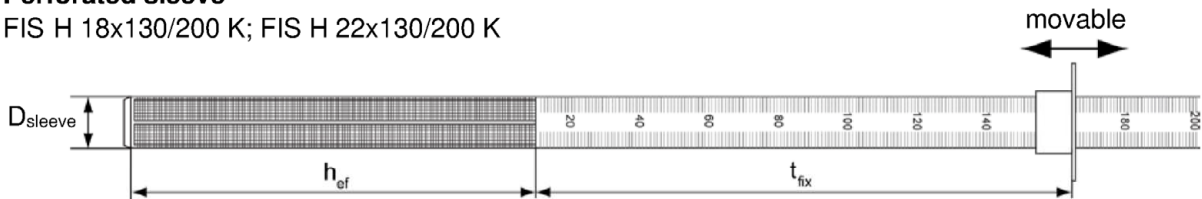
**Table B7.1:** Installation parameters for anchor rods with perforated sleeves (push through anchorage)

Perforated sleeve FIS H K		18x130/200		22x130/200	
Nominal sleeve diameter	$D_{\text{sleeve, nom}}$ [mm]	16		20	
Nominal drill hole diameter	$d_0$ [mm]	18		22	
Depth of drill hole	$h_0$ [mm]	135			
Effective anchorage depth	$h_{\text{ef}}$ [mm]	$\geq 130$			
Diameter of cleaning brush <sup>1)</sup>	$d_b \geq$ [mm]	Siehe Tabelle B8.1			
Size of threaded rod	[-]	M10	M12	M16	
Maximum installation torque	$T_{\text{inst}}$ [Nm]	see parameters of brick			
Thickness of fixture	$t_{\text{fix, max}}$ [mm]	200			

<sup>1)</sup> Only for solid areas in hollow bricks and solid bricks.

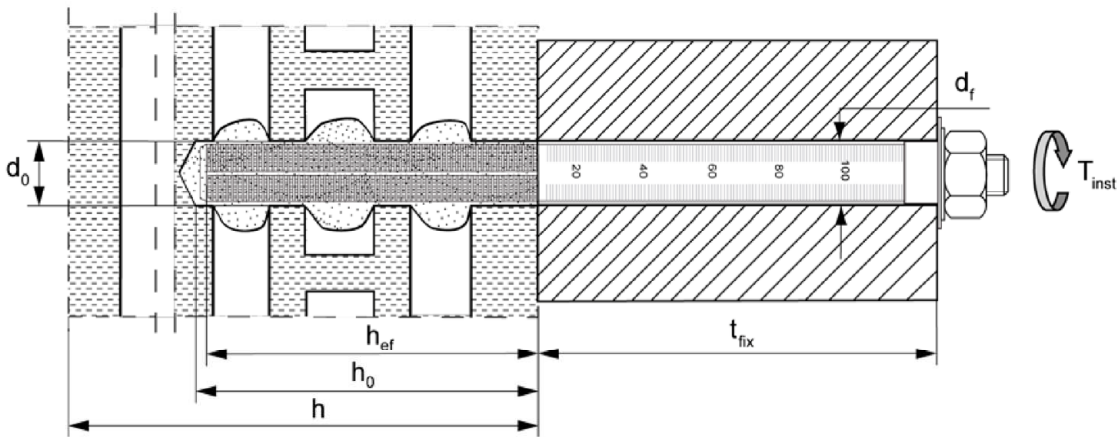
**Perforated sleeve**

FIS H 18x130/200 K; FIS H 22x130/200 K



**Installation conditions:**

Anchor rod with perforated sleeve



Pictures not to scale

fischer injection system FIS V Plus for masonry

**Intended Use**

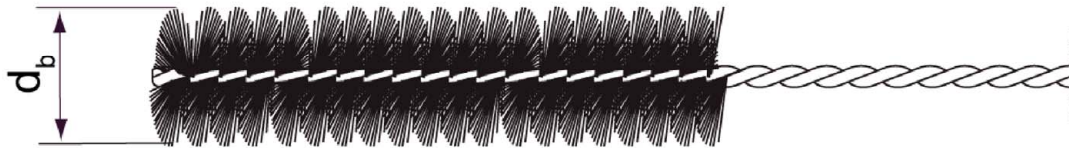
Installation parameters for anchor rods with perforated sleeves (push through anchorage)

**Annex B 7**

**Tabelle B8.1:** Parameters of the cleaning brush BS (steel brush with steel bristles)

The size of the cleaning brush refers to the drill hole diameter

Drill hole diameter	$d_o$ [mm]	8	10	12	14	16	18	20	22
Brush diameter	$d_b$ [mm]	9	11	14	16	20	20	25	25



Only for solid bricks and autoclaved aerated concrete

**Table B8.2:** Maximum processing times and minimum curing times  
(During the curing time of the mortar the masonry temperature may not fall below the listed minimum temperature)

Temperature at anchoring base [°C]	Maximum processing time $t_{work}$			Minimum curing time $t_{cure}$ <sup>1)</sup>		
	FIS VW Plus High Speed <sup>3)</sup>	FIS V Plus <sup>2)</sup>	FIS VS Plus Low Speed <sup>2)</sup>	FIS VW Plus High Speed <sup>3)</sup>	FIS V Plus <sup>2)</sup>	FIS VS Plus Low Speed <sup>2)</sup>
> 0 to 5	5 min	13 min	20 min	3 h	3 h	6 h
> 5 to 10	3 min	9 min	20 min	50 min	90 min	3 h
> 10 to 20	1 min	5 min	10 min	30 min	60 min	2 h
> 20 to 30	-	4 min	6 min	-	45 min	60 min
> 30 to 40	-	2 min	4 min	-	35 min	30 min

<sup>1)</sup> For wet bricks the curing time must be doubled

<sup>2)</sup> Minimum cartridge temperature +5°C

<sup>3)</sup> Minimum cartridge temperature ±0°C

Pictures not to scale

fischer injection system FIS V Plus for masonry

**Intended use**  
Cleaning brush (steel brush)  
Maximum processing times and minimum curing times

**Annex B 8**

Appendix 14 / 136



# Installation instruction part 1

Installation in solid brick and autoclaved aerated concrete (without perforated sleeve)

1		<p>Drill the hole (drilling method see Annex C of the respective brick) depth of drill hole <math>h_0</math> and drill hole diameter <math>d_0</math> see <b>Table B4.1; B5.1</b></p>		
2				<p>Blow out the drill hole twice. Brush twice and blow out twice again.</p>
3		<p>Remove the sealing cap. Screw on the static mixer. (the spiral in the static mixer must be clearly visible)</p>		
4		<p>Place the cartridge into a suitable dispenser</p>		<p>Press out approximately 10 cm of mortar until the resin is permanently grey in colour. Mortar which is not grey in colour will not cure and must be disposed of.</p>
5		<p>Fill approximately 2/3 of the drill hole with mortar beginning from the bottom of the hole<sup>1)</sup>. Avoid bubbles!</p>		<p>For push through anchorage fill the annular clearance with mortar.</p>
6		<p>Only use clean and oil-free metal parts. Mark the anchor rod for setting depth. Insert the anchor rod or internal threaded anchor FIS E by hand using light turning motions. When reaching the setting depth marking, excess mortar must emerge from the mouth of the drill hole.</p>		
7		<p>Do not touch. Minimum curing time see <b>Table B8.2</b></p>		<p>Mounting the fixture. <math>T_{inst}</math> see parameter of brick.</p>

<sup>1)</sup> Exact volume of mortar see manufacturer's specification.

fischer injection system FIS V Plus for masonry

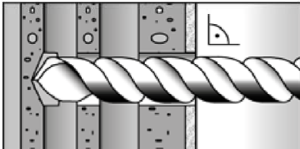
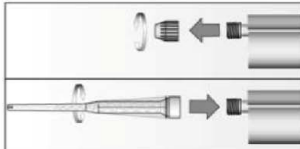


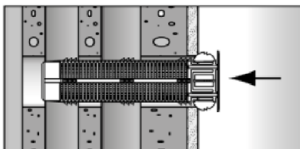
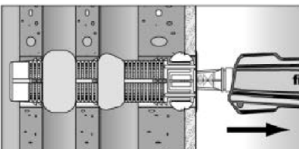
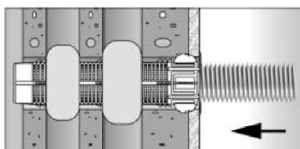

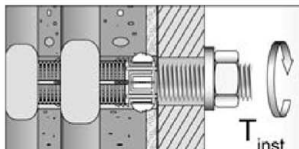
**Intended use**  
Installation instruction (without perforated sleeve) part 1

**Annex B 9**

Appendix 15 / 136

## Installation instruction part 2

### Installation in perforated or solid brick with perforated sleeve (pre-positioned anchorage)

1		<p>Drill the hole (drilling method see Annex C of the respective brick). depth of drill hole <math>h_0</math> and drill hole diameter <math>d_0</math> see <b>Table B6.1</b></p>	<p>When install perforated sleeves in solid bricks or solid areas of hollow bricks, also clean the hole by blowing out and brushing.</p>
2		<p>Remove the sealing cap. Screw on the static mixer. (the spiral in the static mixer must be clearly visible)</p>	
3		<p>Place the cartridge into a suitable dispenser.</p>	 <p>Press out approximately 10 cm of mortar until the resin is permanently grey in colour. Mortar which is not grey in colour will not cure and must be disposed of.</p>
4		<p>Insert the perforated sleeve flush with the surface of the masonry or plaster.</p>	 <p>Fill the perforated sleeve completely with mortar beginning from the bottom of the hole<sup>1)</sup>.</p>
5		<p>Only use clean and oil-free metal parts. Mark the anchor rod for setting depth. Insert the anchor rod or the internal threaded anchor FIS E by hand using light turning motions until reaching the setting depth marking (anchor rod) or flush with the surface (internal threaded anchor).</p>	
6		<p>Do not touch. Minimum curing time see <b>Table B8.2</b></p>	 <p>Mounting the fixture. <math>T_{inst}</math> see parameter of brick.</p>

<sup>1)</sup> Exact volume of mortar see manufacturer's specification.

fischer injection system FIS V Plus for masonry

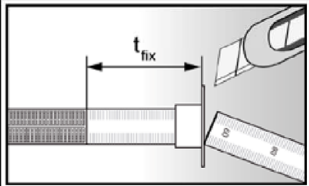
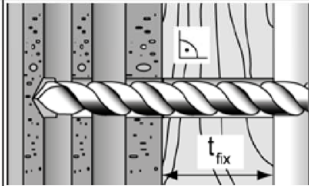
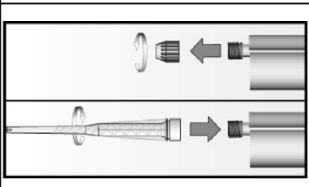
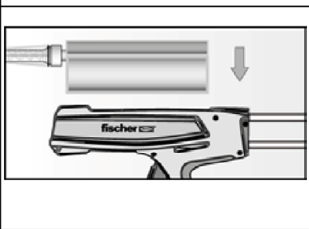
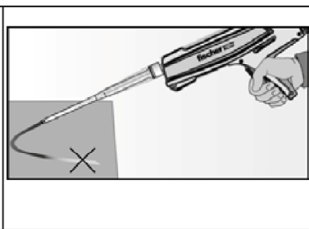
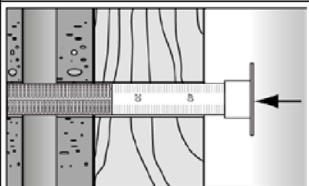
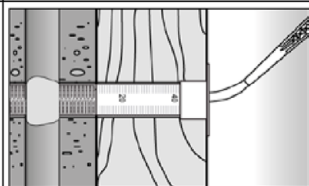
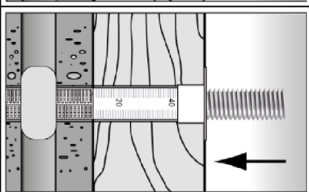
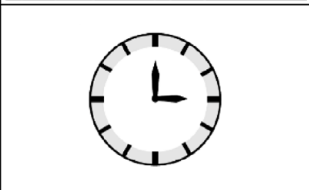
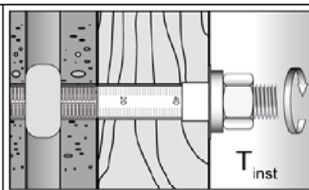
**Intended use**  
Installation instruction (with perforated sleeve) part 2

**Annex B 10**

Appendix 16 / 136

### Installation instruction part 3

Installation in perforated or solid brick with perforated sleeve (push through anchorage)

1		<p>Push the movable stop up to the correct thickness of fixture and cut the overlap.</p>		<p>Drill the hole through the fixture. Depth of drill hole (<math>h_0 + t_{fix}</math>) and drill hole diameter see <b>Table B7.1</b></p>
2		<p>Remove the sealing cap. Screw on the static mixer. (the spiral in the static mixer must be clearly visible)</p>		
3		<p>Place the cartridge into a suitable dispenser.</p>		<p>Press out approximately 10 cm of mortar until the resin is permanently grey in colour. Mortar which is not grey in colour will not cure and must be disposed of.</p>
4		<p>Insert the perforated sleeve flush with the surface of the fixture into the drill hole.</p>		<p>Fill the sleeve with mortar beginning from the bottom of the hole.<sup>1)</sup> For deep drill holes use an extension tube.</p>
5		<p>Only use clean and oil-free metal parts. Mark the anchor rod for setting depth. Insert the anchor rod or the internal threaded anchor FIS E by hand using light turning motions until reaching the setting depth marking (anchor rod) or flush with the surface (internal threaded anchor).</p>		
6		<p>Do not touch. Minimum curing time see <b>Table B8.2</b></p>		<p>Mounting the fixture. <math>T_{inst}</math> see parameter of brick.</p>

<sup>1)</sup> Exact volume of mortar see manufacturer's specification.

fischer injection system FIS V Plus for masonry

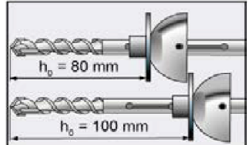
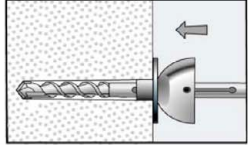
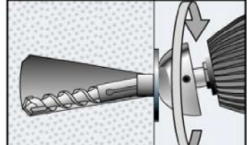
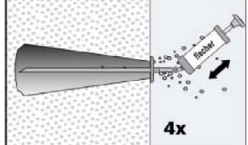
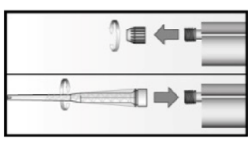
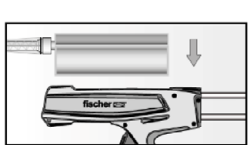
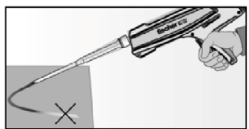
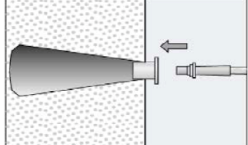
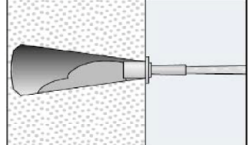
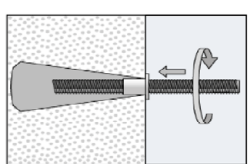
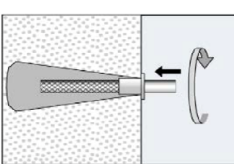

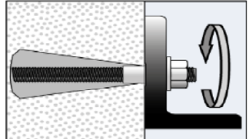
**Intended use**  
Installation instruction (with perforated sleeve) part 3

**Annex B 11**

Appendix 17 / 136

## Installation instruction part 4

Installation in autoclaved aerated concrete with special conic drill bit PBB  
(pre-positioned anchorage)

1		<p>Position the movable drill bit arrester on the used drill hole depth (see Annex B 4, Table B4.1) For this, unlock the clamp screw and slide the arrester. Now fix the clamp screw.</p>	
2		<p>Drill the cylindrical hole with rotating drill until the arrester contact the material surface. (drilling method see Annex C of the respective brick)</p>	
3		<p>Deviate the working power drill circulate to generate an conic undercut in the material.</p>	
4		<p>Blow out the drill hole four times.</p>	
5		<p>Remove the sealing cap. Screw on the static mixer. (the spiral in the static mixer must be clearly visible)</p>	
6		<p>Place the cartridge into a suitable dispenser.</p>	 <p>Press out approximately 10 cm of mortar until the resin is permanently grey in colour. Mortar which is not grey in colour will not cure and must be disposed of.</p>
7		<p>Put the center sleeve into the drill hole and adapt the injection adapter onto the static mixer.</p>	 <p>Fill the drill hole with injection mortar.</p>
8			<p>Only use clean and oil-free metal parts. Mark the anchor rod for setting depth. Insert the anchor rod or internal threaded anchor FIS E by hand using light turning motions. When reaching the setting depth marking, excess mortar must emerge from the mouth of the drill hole.</p>
9		<p>Do not touch. Minimum curing time see <b>Table B8.2</b></p>	 <p>Mounting the fixture. <math>T_{inst}</math> see parameter of brick.</p>

fischer injection system FIS V Plus for masonry

### Intended use

Installation instruction for autoclaved aerated concrete with special conic drill bit PBB  
(pre-positioned anchorage) part 4

**Annex B 12**

Appendix 18 / 136

<b>Table B13.1: Overview of controlled bricks (part 1)</b>					
<b>Kind of masonry</b>	<b>Brick format [mm]</b>	<b>Compressive strength <math>f_b</math> [N/mm<sup>2</sup>]</b>	<b>Producing country</b>	<b>Density <math>\rho</math> [kg/dm<sup>3</sup>]</b>	<b>Annex</b>
<b>Solid brick Mz</b>					
<b>Solid brick Mz</b>	<b>NF</b> ≥240x115x71	12 - 20	Germany	≥1,8	C4 - C7
	<b>2DF</b> ≥240x115x113	10 - 16	Germany	≥1,8	C8/C9
	≥ 245x118x54	10 - 20	Italy	≥1,8	C10/C11
	≥ 230x108x55	10 - 20	Denmark	≥1,8	C12/C13
<b>Solid sand- lime brick KS / perforated Sand- lime brick KSL</b>					
<b>Solid sand - lime brick KS</b>	<b>NF</b> ≥240x115x71	12 - 28	Germany	≥2,0	C14/C15
	<b>8DF</b> ≥ 250x240x240	10 - 28	Germany	≥2,0	C16/C17
	≥ 997x214x538	10 - 36	Netherlands	≥1,8	C18/C19
<b>Perforated sand - lime brick KSL</b>	<b>3DF</b> 240x175x113	8 - 20	Germany	≥1,4	C20 - C23
<b>Vertical perforated brick HLz</b>					
<b>Vertical perforated brick HLz</b>	370x240x237	4 - 12	Germany	≥1,0	C24/C25
	500x175x237	4 - 12	Germany	≥1,0	C24/C25
	<b>2DF</b> 240x115x113	6 - 28	Germany	≥1,4	C26/C27
	248x365x248	4 - 8	Germany	≥0,6	C28 - C31
	248x365x249	8 - 12	Germany	≥0,7	C32 - C35
	248x365x249	4 - 6	Germany	≥0,5	C36 - C39
	248x425x248	4 - 8	Germany	≥0,8	C40 - C43
	248x425x248	4 - 8	Germany	≥0,6	C44 - C47
	500x200x315	4 - 8	France	≥0,6	C48 - C51
	500x200x300	4 - 10	France	≥0,7	C52 - C55
	500x200x315	2 - 8	France	≥0,7	C56 - C59
	560x200x275	4 - 8	France	≥0,7	C60/C61
	255x120x118	2 - 12	Italy	≥1,0	C62 - C64
	275x130x94	6 - 20	Spain	≥0,8	C65/C66
	220x190x290	6 - 10	Portugal	≥0,7	C67 - C70
	253x300x240	2 - 6	Austria	≥0,8	C71 - C74
	250x440x250	6 - 10	Austria	≥0,7	C75 - C78
	230x108x55	2 - 8	Denmark	≥1,4	C79/C80
<b>Horizontal perforated brick LLz</b>					
<b>Horizontal perforated brick LLz</b>	248x78x250	2 - 6	Italy	≥0,7	C81/C82
	128x88x275	2	Spain	≥0,8	C83/C84
<b>Light-weight concrete hollow block Hbl</b>					
<b>Light-weight concrete hollow block Hbl</b>	362x240x240	2 - 4	Germany	≥1,0	C85 - C88
	500x200x200	2 - 6	France	≥1,0	C89/C90
	440x215x215	4 - 10	Ireland	≥1,2	C91 - C94
fischer injection system FIS V Plus for masonry				<b>Annex B 13</b> Appendix 19 / 136	
<b>Intended use</b> Overview of controlled bricks (part 1)					

**Table B14.1:** Overview of controlled bricks (part 2)

Kind of masonry	Brick format [mm]	Compressive strength $f_b$ [N/mm <sup>2</sup> ]	Producing country	Density $\rho$ [kg/dm <sup>3</sup> ]	Annex
<b>Light-weight concrete solid block Vbl</b>					
<b>Light-weight concrete solid block Vbl</b>	≥ 372x300x254	2	Germany	≥0,6	C95/C96
	≥ 250x240x239	4 - 8	Germany	≥1,6	C97 - C100
	≥ 440x100x215	4 - 10	Ireland	≥2,0	C101/C102
	≥ 440x95x215	6 - 12	England	≥2,0	C103/C104
<b>Autoclaved aerated concrete (AAC)</b>					
<b>PP2 / AAC</b>	-	2	Germany	0,35	C105 - C109
<b>PP4 / AAC</b>	-	4	Germany	0,5	C105 - C109
<b>PP6 / AAC</b>	-	6	Germany	0,65	C105 - C109

fischer injection system FIS V Plus for masonry

**Intended use**  
Overview of controlled bricks (part 2)

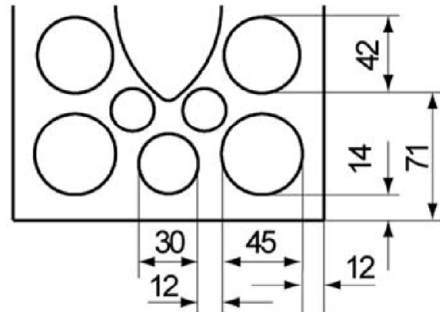
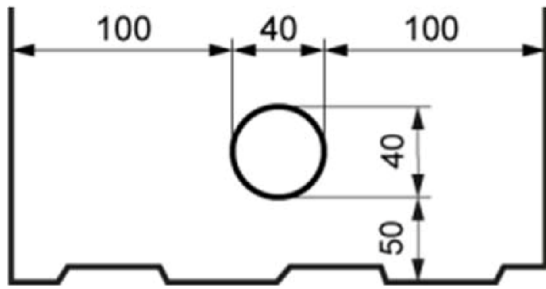
**Annex B 14**

Appendix 20 / 136

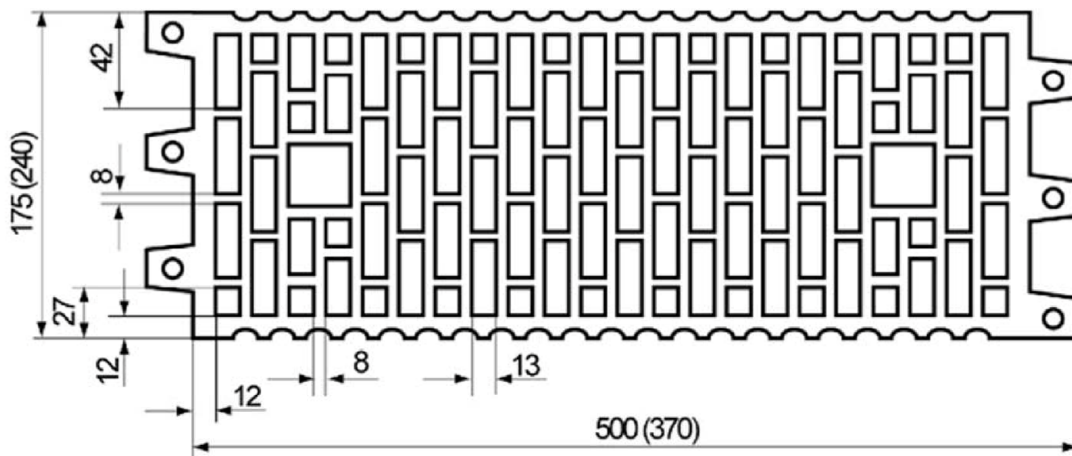
**Table B15.1: Overview dimensions of perforated and hollow bricks (part 1)**

Solid sand-lime brick KS, 8DF, EN 771-2:2015 according to Annex C 16

Perforated sand-lime brick KSL, 3DF, EN 771-2:2015; e.g. KS Wending according to Annex C 20

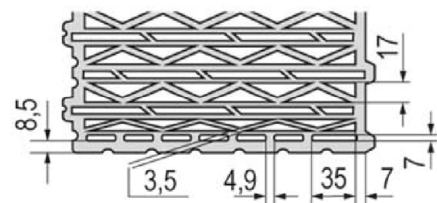
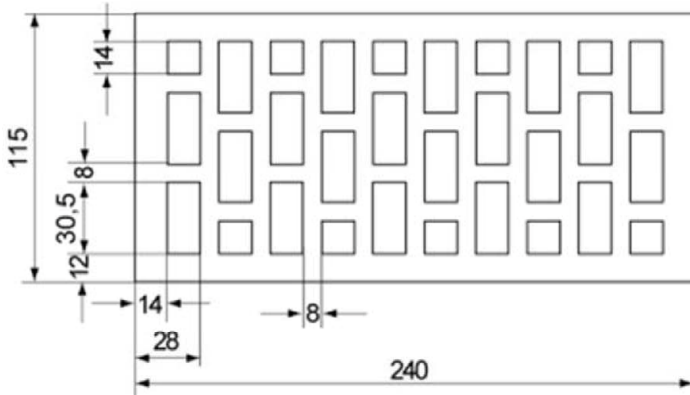


Vertical perforated brick HLz, EN 771-1:2015; e.g. Wienerberger, Poroton according to Annex C 24



Vertical perforated brick HLz, 2DF, EN 771-1:2015; e.g. Wienerberger according to Annex C 26

Vertical perforated brick HLz, T8, EN 771-1:2015; according to Annex C 28



Pictures not to scale

fischer injection system FIS V Plus for masonry

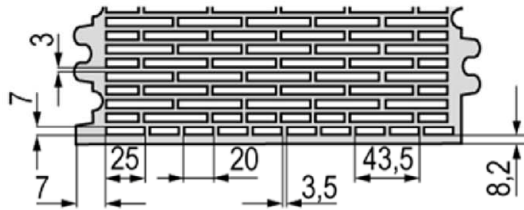
**Intended use**  
Overview dimensions of perforated and hollow bricks (part 1)

**Annex B 15**

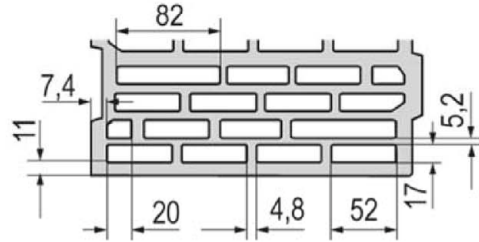
Appendix 21 / 136

**Table B16.1: Overview dimensions of perforated and hollow bricks (part 2)**

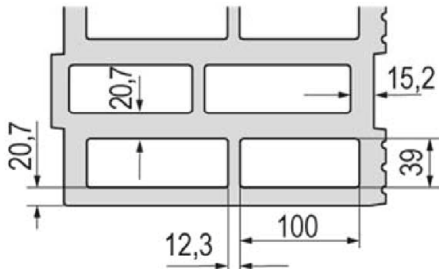
Vertical perforated brick HLz, T10, T11, EN 771-1:2015; according to Annex C32



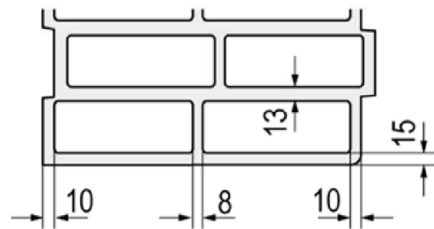
Vertical perforated brick HLz, T7 PF, filled with perlit, EN 771-1:2015; according to Annex C 36



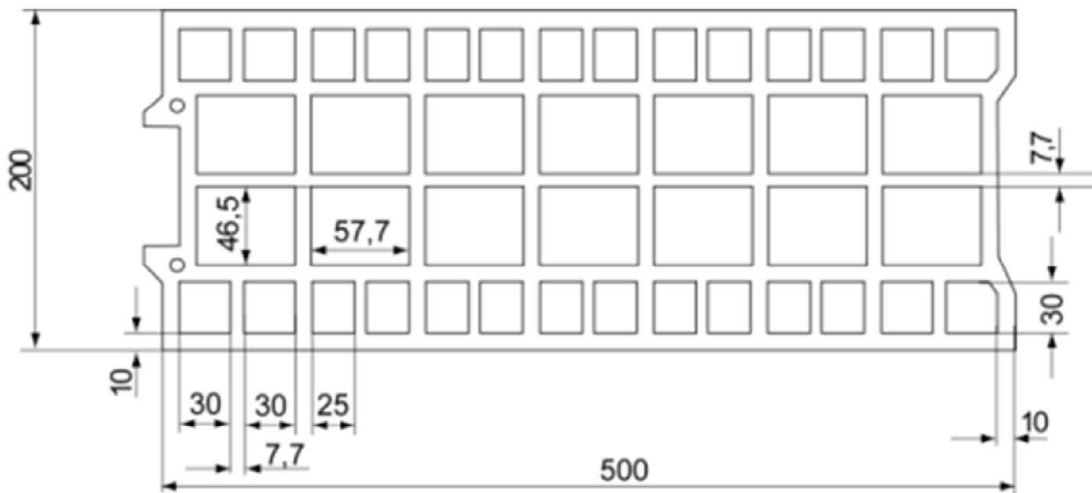
Vertical perforated brick HLz, S9 MW, filled with mineral wool, EN 771-1:2015; according to Annex C 40



Vertical perforated brick HLz, T7 MW, filled with mineral wool, EN 771-1:2015; according to Annex C 44



Vertical perforated brick HLz, EN 771-1:2015; e.g. Bouyer Leroux; According to Annex C 48



Pictures not to scale

fischer injection system FIS V Plus for masonry

**Intended use**  
Overview dimensions of perforated and hollow bricks (part 2)

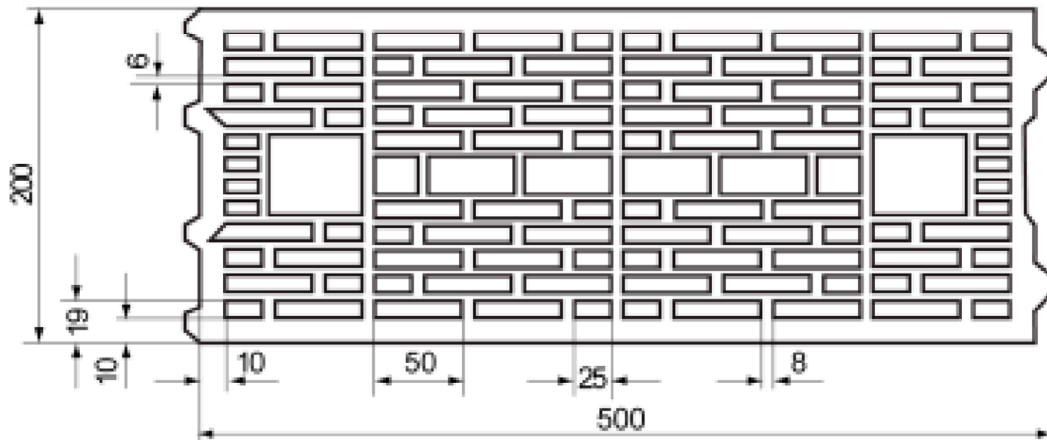
**Annex B 16**

Appendix 22 / 136

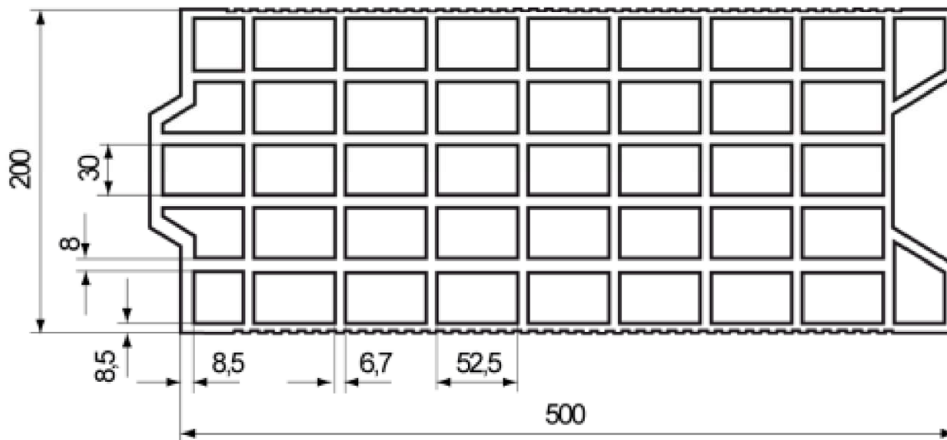


**Table B17.1: Overview dimensions of perforated and hollow bricks (part 3)**

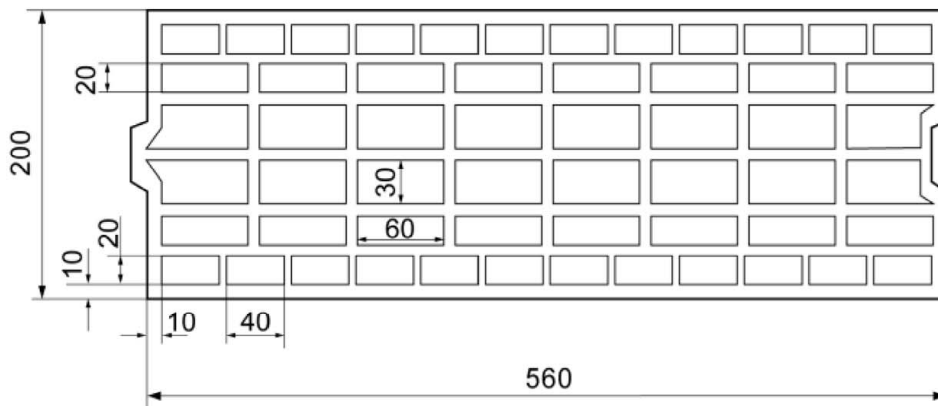
Vertical perforated brick HLz, EN 771-1:2015; e.g. Wienerberger according to Annex C 52



Vertical perforated brick HLz, EN 771-1:2015; e.g. Terreal according to Annex C 56



Vertical perforated brick HLz, EN 771-1:2015; e.g. Imery according to Annex C 60



Pictures not to scale

fischer injection system FIS V Plus for masonry

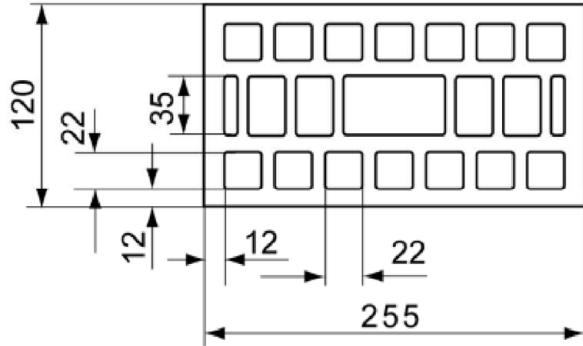
**Intended use**  
Overview dimensions of perforated and hollow bricks (part 3)

**Annex B 17**

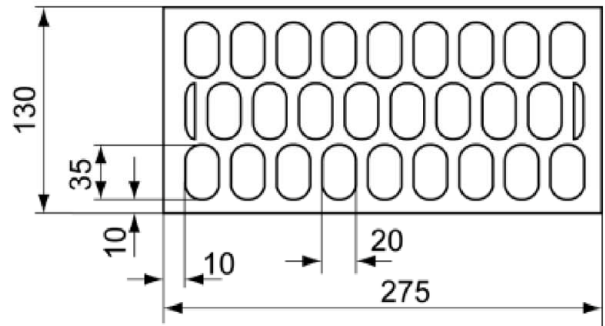
Appendix 23 / 136

**Table B18.1: Overview dimensions of perforated and hollow bricks (part 4)**

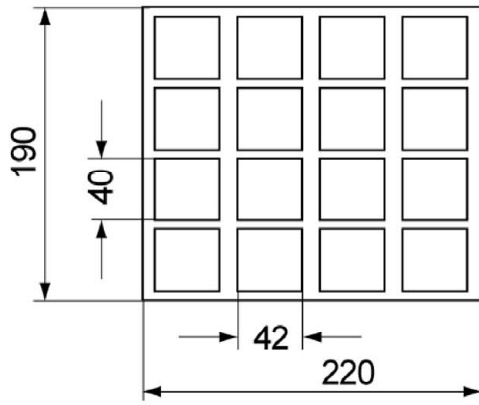
Vertical perforated brick HLz, EN 771-1:2015;  
e.g. Wienerberger according to Annex C 62



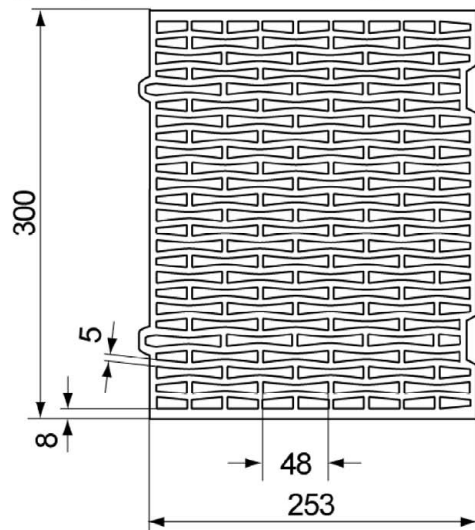
Vertical perforated brick HLz, EN 771-1:2015;  
e.g. Ceramica Farreny S.A. according to Annex C 65



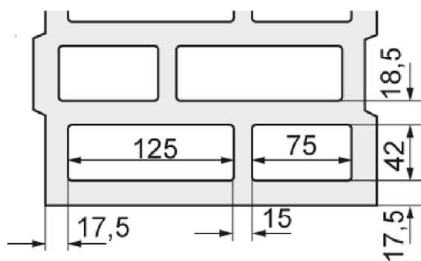
Vertical perforated brick HLz, EN 771-1:2015;  
e.g. Perceram according to Annex C 67



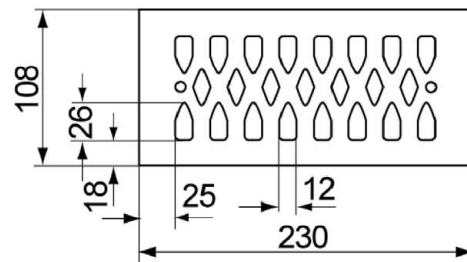
Vertical perforated brick HLz, EN 771-1:2015;  
e.g. Ziegelwerk Brenna according to Annex C 71



Vertical perforated brick HLz, Porotherm W 44, filled  
with mineral wool, EN 771-1:2015 according to  
Annex C 75



Vertical perforated brick HLz, EN 771-1:2015;  
e.g. Wienerberger according to Annex C 79



Pictures not to scale

fischer injection system FIS V Plus for masonry

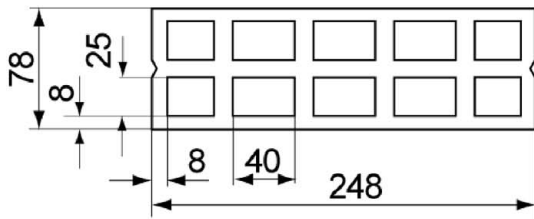
**Intended use**  
Overview dimensions of perforated and hollow bricks (part 4)

**Annex B 18**

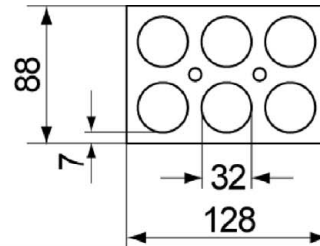
Appendix 24 / 136

**Table B19.1: Overview dimensions of perforated and hollow bricks (part 5)**

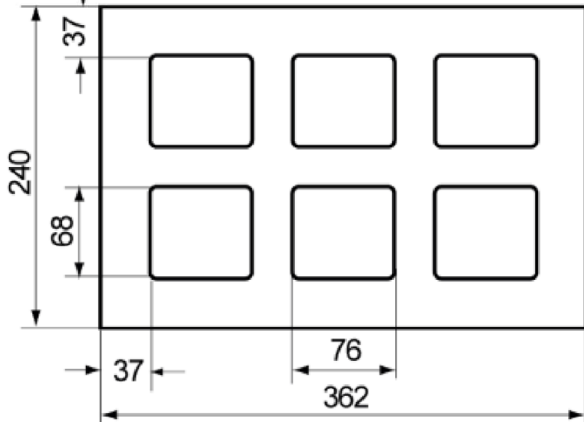
Horizontal perforated brick LLz, EN 771-1:2015; according to Annex C 81



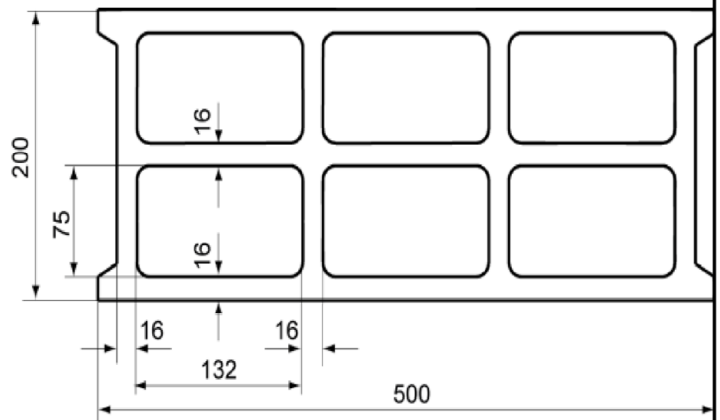
Horizontal perforated brick LLz, EN 771-1:2015; e.g. Germanica Farreny S.A according to Annex C 83



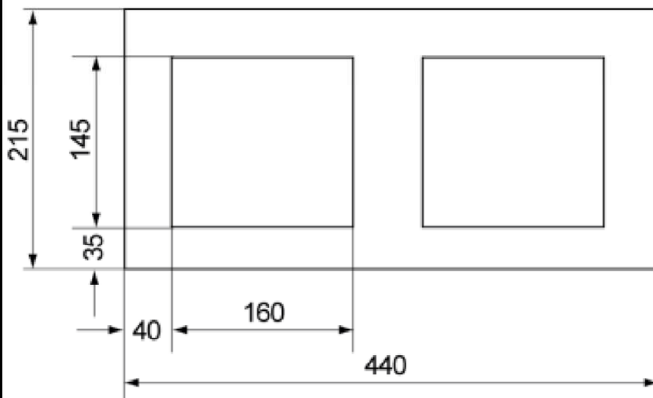
Light-weight concrete hollow block Hbl, EN 771-3:2015; according to Annex C 85



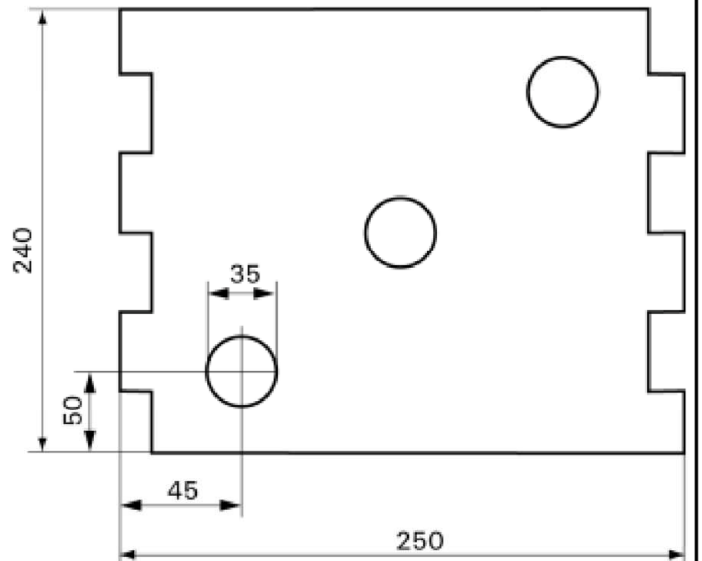
Light-weight concrete hollow block Hbl, EN 771-3:2015; e.g. Sepa according to Annex C 89



Light-weight concrete hollow block Hbl, EN 771-3:2015; e.g. Roadstone wood according to Annex C 91



Light-weight concrete solid block Vbl, EN 771-3:2015; e.g. Sepa according to Annex C 97



Pictures not to scale

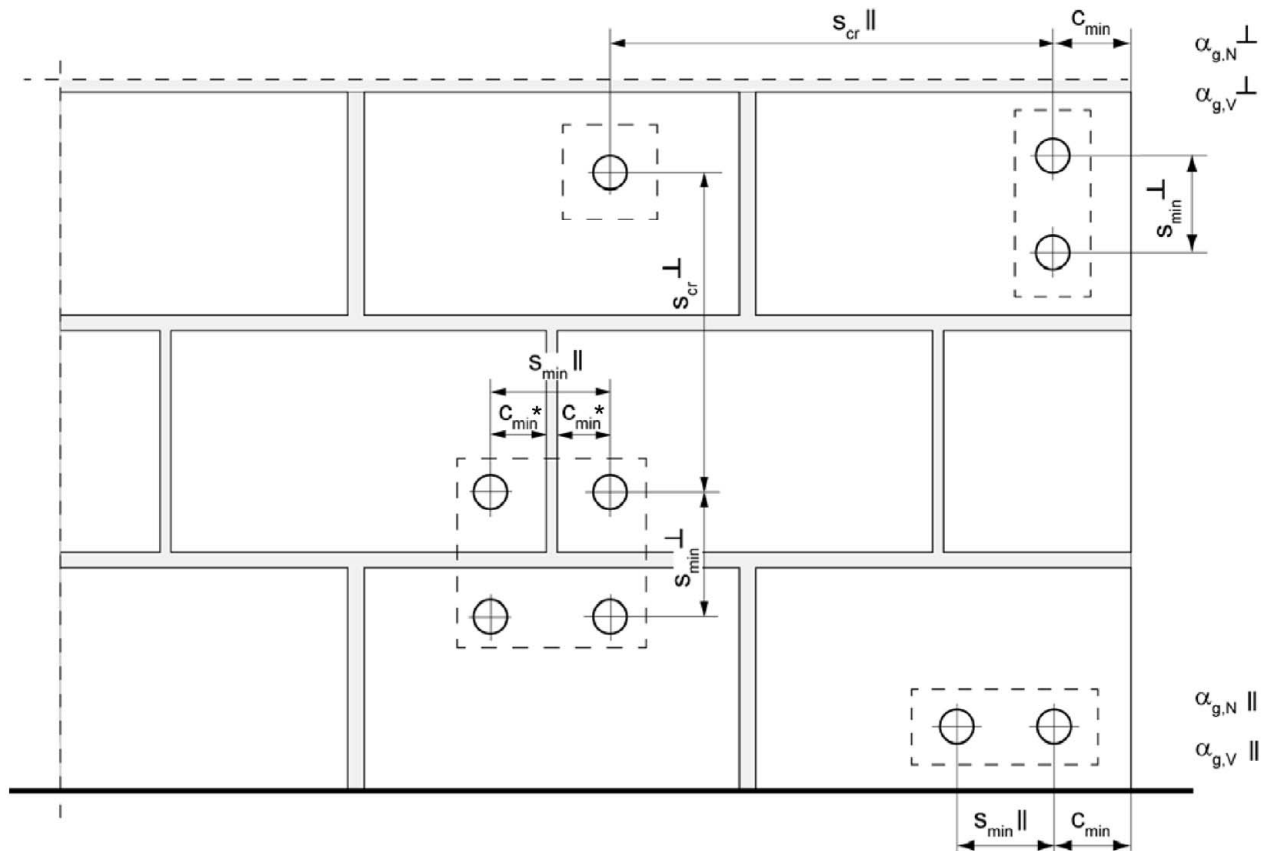
fischer injection system FIS V Plus for masonry

**Intended use**  
Overview dimensions of perforated and hollow bricks (part 5)

**Annex B 19**

Appendix 25 / 136

## Spacing and edge distance



\* Only, if vertical joints are not completely filled with mortar

- $s_{min \parallel}$  = Minimum spacing parallel to bed joint
- $s_{min \perp}$  = Minimum spacing vertical to bed joint
- $s_{cr \parallel}$  = Characteristic spacing parallel to bed joint
- $s_{cr \perp}$  = Characteristic spacing vertical to bed joint
- $C_{cr} = C_{min}$  = Edge distance
- $\alpha_{g,N \parallel}$  = Group factor for tension resistance, anchor group parallel to bed joint
- $\alpha_{g,V \parallel}$  = Group factor for shear resistance, anchor group parallel to bed joint
- $\alpha_{g,N \perp}$  = Group factor for tension resistance, anchor group vertical to bed joint
- $\alpha_{g,V \perp}$  = Group factor for shear resistance, anchor group vertical to bed joint

For  $s \geq s_{cr}$   $\alpha_g = 2$

For  $s_{min} \leq s < s_{cr}$   $\alpha_g$  according to installation parameters of brick

$N^{g_{RK}} = \alpha_{g,N} \cdot N_{RK}$  ;  $V^{g_{RK}} = \alpha_{g,V} \cdot V_{RK}$  (Group of 2 anchors)

$N^{g_{RK}} = \alpha_{g,N \parallel} \cdot \alpha_{g,N \perp} \cdot N_{RK}$  ;  $V^{g_{RK}} = \alpha_{g,V \parallel} \cdot \alpha_{g,V \perp} \cdot V_{RK}$  (Group of 4 anchors)

fischer injection system FIS V Plus for masonry

**Intended use**  
Spacing and edge distance

**Annex B 20**

Appendix 26 / 136

**Table C1.1:** Characteristic values for the **resistance to steel failure** of **anchor rods** under tension load

Anchor rod			M6	M8	M10	M12	M16		
<b>Resistance under tension load, steel failure</b>									
Characteristic resistance $N_{Rk,s}$	Steel zinc plated	Property class	[kN]	4.6	8	15(13) <sup>3)</sup>	23(21) <sup>3)</sup>	33	63
				4.8	8	15(13) <sup>3)</sup>	23(21) <sup>3)</sup>	33	63
				5.8	10	19(17) <sup>3)</sup>	29(27) <sup>3)</sup>	43	79
				8.8	16	29(27) <sup>3)</sup>	47(43) <sup>3)</sup>	68	126
	Stainless steel R and High corrosion resistant steel HCR			50	10	19	29	43	79
				70	14	26	41	59	110
				80	16	30	47	68	126
<b>Partial factors <sup>1)</sup></b>									
Partial factor $\gamma_{Ms,N}$	Steel zinc plated	Property class	[-]	4.6	2,00				
				4.8	1,50				
				5.8	1,50				
				8.8	1,50				
	Stainless steel R and High corrosion resistant steel HCR			50	2,86				
				70	1,50 <sup>2)</sup> / 1,87				
				80	1,60				

<sup>1)</sup> In absence of other national regulations

<sup>2)</sup> Only for fischer FIS A made of high corrosion-resistant steel HCR

<sup>3)</sup> Values in brackets are valid for undersized threaded rods with smaller stress area  $A_s$  for hot dip galvanised standard threaded rods according to EN ISO 10684:2004+AC:2009

fischer injection system FIS V Plus for masonry

**Performance**

Characteristic resistance to steel failure of anchor rods under tension load

**Annex C 1**

<b>Table C2.1: Characteristic values for the resistance to steel failure of anchor rods under shear load</b>									
<b>Anchor rod</b>			<b>M6</b>	<b>M8</b>	<b>M10</b>	<b>M12</b>	<b>M16</b>		
<b>Resistance under shear load, steel failure</b>									
<b>without lever arm</b>									
Characteristic resistance $V_{Rk,s}$	Steel zinc plated	Property class	4.6	[kN]	4	9(8) <sup>3)</sup>	14(13) <sup>3)</sup>	20	38
			4.8		4	9(8) <sup>3)</sup>	14(13) <sup>3)</sup>	20	38
	Stainless steel R and High corrosion resistant steel HCR	5.8	6		11(10) <sup>3)</sup>	17(16) <sup>3)</sup>	25	47	
		8.8	8		15(13) <sup>3)</sup>	23(21) <sup>3)</sup>	34	63	
		50	5		9	15	21	39	
	70	7	13		20	30	55		
	80	8	15		23	34	63		
<b>with lever arm</b>									
Characteristic resistance $M^0_{Rk,s}$	Steel zinc plated	Property class	4.6	[Nm]	6	15(13) <sup>3)</sup>	30(27) <sup>3)</sup>	52	133
			4.8		6	15(13) <sup>3)</sup>	30(27) <sup>3)</sup>	52	133
	Stainless steel R and High corrosion resistant steel HCR	5.8	7		19(16) <sup>3)</sup>	37(33) <sup>3)</sup>	65	166	
		8.8	12		30(26) <sup>3)</sup>	60(53) <sup>3)</sup>	105	266	
		50	7		19	37	65	166	
	70	10	26		52	92	232		
	80	12	30		60	105	266		
<b>Partial factors<sup>1)</sup></b>									
Partial factor $\gamma_{Ms,V}$	Steel zinc plated	Property class	4.6	[-]	1,67				
			4.8		1,25				
	Stainless steel R and High corrosion resistant steel HCR	5.8	1,25						
		8.8	1,25						
		50	2,38						
	70	1,25 <sup>2)</sup> / 1,56							
	80	1,33							

1) In absence of other national regulations

2) Only for fischer FIS A made of high corrosion-resistant steel HCR

3) Values in brackets are valid for undersized threaded rods with smaller stress area  $A_s$  for hot dip galvanised standard threaded rods according to EN ISO 10684:2004+AC:2009.

fischer injection system FIS V Plus for masonry

**Performance**  
Characteristic resistance to steel failure of anchor rods under shear load

**Annex C 2**

Appendix 28 / 136

**Table C3.1:** Characteristic values for the **resistance to steel failure** of **internal threaded anchors FIS E** under tension / shear load

fischer internal threaded anchor FIS E				M6	M8	M10	M12	
<b>Resistance under tension load, steel failure</b>								
Characteristic resistance with screw	$N_{Rk,s}$	Property class	5.8	[kN]	10	18	29	42
		Property class 70	R		14	26	41	59
			HCR		14	26	41	59
<b>Partial factors<sup>1)</sup></b>								
Partial factor	$\gamma_{Ms,N}$	Property class	5.8	[-]	1,50			
		Property class 70	R		1,87			
			HCR		1,87			
<b>Resistance under shear load, steel failure</b>								
<b>without lever arm</b>								
Characteristic resistance with screw	$V_{Rk,s}$	Property class	5.8	[kN]	5	9	15	21
		Property class 70	R		7	13	20	30
			HCR		7	13	20	30
<b>with lever arm</b>								
Characteristic resistance	$M^0_{Rk,s}$	Property class	5.8	[Nm]	8	19	37	65
		Property class 70	R		11	26	52	92
			HCR		11	26	52	92
<b>Partial factors<sup>1)</sup></b>								
Partial factor	$\gamma_{Ms,V}$	Property class	5.8	[-]	1,25			
		Property class 70	R		1,56			
			HCR		1,56			

<sup>1)</sup> In absence of other national regulations

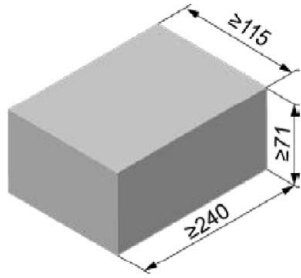
fischer injection system FIS V Plus for masonry

**Performance**

Characteristic resistance to steel failure of fischer internal threaded anchor FIS E

**Annex C 3**

**Solid brick Mz, NF, EN 771-1:2015**



Solid brick Mz, NF, EN 771-1:2015			
Producer		e.g. Wienerberger	
Nominal dimensions	[mm]	length L	width W
		≥ 240	≥ 115
Density $\rho$	[kg/dm <sup>3</sup> ]	≥ 1,8	
Compressive strength $f_b$	[N/mm <sup>2</sup> ]	12 / 20	
Standard or annex		EN 771-1:2015	

**Table C4.1:** Installation parameters for edge distance  $c=100\text{mm}$

Anchor rod		M6	M8	M10	M12	-		-		
Internal threaded anchor FIS E		-	-	-	-	M6	M8	M10	M12	
						11x85		15x85		
Anchor rod and internal threaded anchor FIS E without perforated sleeve										
Effective anchorage depth	$h_{ef}$	[mm]	50	50	50	50	85			
			80	80	80	80				
			200	200	200	200				
Max. installation torque	$T_{inst}$	[Nm]	4	10			4	10		
General installation parameters										
Edge distance	$c_{min}$	[mm]	100				100			
Edge distance $h_{ef}=200$	$c_{min}$		150				- <sup>1)</sup>			
Spacing	$s_{min II,N}$		60				60			
	$h_{ef}=200 s_{min II,N}$		240				- <sup>1)</sup>			
	$s_{min II,V}$		240				240			
	$s_{cr II}$		240				240			
	$s_{cr \perp} = s_{min \perp}$		75				75			

**Drilling method**  
Hammer drilling with hard metal hammer drill

<sup>1)</sup> No performance assessed

**Table C4.2:** Group factors

Anchor rods		M6	M8	M10	M12	-		-		
Internal threaded anchor FIS E		-	-	-	-	M6	M8	M10	M12	
						11x85		15x85		
Edge distance	$c_{min}$	[mm]	100							
Group factor	$\alpha_{g,N II}$	[-]					1,5			
	$\alpha_{g,V II}$						2,0			
	$h_{ef}=200 \alpha_{g,N II}$						1,5			
	$h_{ef}=200 \alpha_{g,V II}$						2,0			
	$\alpha_{g,N \perp}$						2,0			
	$\alpha_{g,V \perp}$						2,0			
	$h_{ef}=200 \alpha_{g,N \perp}$						2,0			
	$h_{ef}=200 \alpha_{g,V \perp}$						2,0			



# Solid brick Mz, NF, EN 771-1:2015

**Table C5.1:** Characteristic resistance under tension load for edge distance  $c=100\text{mm}$

Anchor rod		M6	M8	M10			M12			-		-	
Internal threaded anchor FIS E		-	-	-			-			M6	M8	M10	M12
		11x85										15x85	
<b><math>N_{Rk} = N_{Rk,p} = N_{Rk,b}</math> [kN] depending on the compressive strength <math>f_b</math> (temperature range 50/80°C)</b>													
compressive strength $f_b$	use categorie		Effective anchorage depth $h_{ef}$ [mm]								85		
	$\geq 50$	$\geq 50$	50	80	200	50	80	200					
12N/mm <sup>2</sup>	w/w	w/d	2,5	2,5	2	3	7,5	2	3,5	5	3,5		
	d/d		4	4	3,5	5	12	3	5,5	8	5,5		
20N/mm <sup>2</sup>	w/w	w/d	3,5	3,5	3	4,5	11	3	5	7	5		
	d/d		5,5	5,5	5	7	12	4,5	8	11,5	8		

Factor for temperature range 72/120°C: 0,83

**Table C5.2:** Characteristic resistance under shear load for edge distance  $c=100\text{mm}$

Anchor rod		M6	M8	M10			M12			-		-	
Internal threaded anchor FIS E		-	-	-			-			M6	M8	M10	M12
		11x85										15x85	
<b><math>V_{Rk} = V_{Rk,b} = V_{Rk,c}</math> [kN] depending on the compressive strength <math>f_b</math> (temperature range 50/80°C and 72/120°C)</b>													
compressive strength $f_b$	use categorie		Effective anchorage depth $h_{ef}$ [mm]								85		
	$\geq 50$	$\geq 50$	$\geq 50$	200	$\geq 50$	200							
12N/mm <sup>2</sup>	w/w	w/d	2,5	2,5	4	8,5	4	11,5	2,5				
	d/d												
20N/mm <sup>2</sup>	w/w	w/d	4,0	4,0	6	12	5,5	12	4				
	d/d												

Factor for job site tests and displacements see annex C110

fischer injection system FIS V Plus for masonry	<b>Annex C 5</b> Appendix 31 / 136
<b>Performance</b> Solid brick Mz, NF, Characteristic resistance under tension and shear load $c=100\text{mm}$	

# Solid brick Mz, NF, EN 771-1:2015

**Table C6.1:** Installation parameters for edge distance  $c=60\text{mm}$

Anchor rod		M6	M8	M10	M12	M16	-	-
Internal threaded anchor FIS E		-	-	-	-	-	M6 11x85	M8 15x85
<b>Anchor rod and internal threaded anchor FIS E without perforated sleeve</b>								
Effective anchorage depth	$h_{ef}$ [mm]	50	50	50	50	50	85	
		100	100	100	100	100		
		200	200	200	200	200		
Max. installation torque	$T_{inst}$ [Nm]	4	10				4	10
<b>General installation parameters</b>								
Edge distance	$c_{min}$					60		
Edge distance $h_{ef}=200$	$c_{min}$					60		
Spacing	$s_{min II,N}$					80		
	$h_{ef}=200$ $s_{min II,N}$					80		
	$s_{min II,V}$					80		
	$s_{cr II}$					$3x h_{ef}$		
	$s_{min \perp}$					80		
	$s_{cr \perp}$					$3x h_{ef}$		
<b>Drilling method</b>								
Hammer drilling with hard metal hammer drill								

**Table C6.2:** Group factors

Anchor rods		M6	M8	M10	M12	M16	-	-
Internal threaded anchor FIS E		-	-	-	-	-	M6 11x85	M8 15x85
Edge distance	$c_{min}$ [mm]					60		
Group factor	$\alpha_{g,N II}$					0,6		
	$\alpha_{g,V II}$					1,3		
	$h_{ef}=200$ $\alpha_{g,N II}$					1,4		
	$h_{ef}=200$ $\alpha_{g,V II}$					1,5		
	$\alpha_{g,N \perp}$					0,3		
	$\alpha_{g,V \perp}$					1,3		
	$h_{ef}=200$ $\alpha_{g,N \perp}$					2,0		
	$h_{ef}=200$ $\alpha_{g,V \perp}$					1,1		

fischer injection system FIS V Plus for masonry

**Performance**  
Solid brick Mz, NF, dimensions, installation parameters  $c=60\text{mm}$

**Annex C 6**

Appendix 32 / 136

# Solid brick Mz, NF, EN 771-1:2015

**Table C7.1:** Characteristic resistance under tension load for edge distance  $c=60\text{mm}$

Anchor rod		M6		M8		M10			M12			M16			-		-	
Internal threaded anchor FIS E		-		-		-			-			-			M6	M8	M10	M12
															11x85		15x85	
<b><math>N_{Rk} = N_{Rk,p} = N_{Rk,b}</math> [kN] depending on the compressive strength <math>f_b</math> (temperature range 50/80°C)</b>																		
compressive strength $f_b$	use category	Effective anchorage depth $h_{ef}$ [mm]														85		
		50	100	50	100	50	100	200	50	100	200	50	100	200				
12N/mm <sup>2</sup>	w/w   w/d	1,5	2,0	2,0	2,0	2,5	- <sup>1)</sup>	2,0	2,5	- <sup>1)</sup>	2,0	5,5	- <sup>1)</sup>	- <sup>1)</sup>				
	d/d	2,5	3,0	4,0	3,0	4,0	9,5	3,0	4,0	9,5	3,0	8,5	9,5	- <sup>1)</sup>				
20N/mm <sup>2</sup>	w/w   w/d	2,0	2,5	3,0	2,5	3,5	- <sup>1)</sup>	3,0	3,5	- <sup>1)</sup>	3,0	7,5	- <sup>1)</sup>	- <sup>1)</sup>				
	d/d	3,5	4,5	5,5	4,5	5,5	12	4,5	5,5	12	4,5	12	12	- <sup>1)</sup>				
28N/mm <sup>2</sup>	w/w   w/d	2,5	3,0	4,0	3,0	4,0	- <sup>1)</sup>	3,5	4,0	- <sup>1)</sup>	3,5	9,0	- <sup>1)</sup>	- <sup>1)</sup>				
	d/d	4,0	5,5	6,5	5,5	6,5	12	5,5	6,5	12	5,5	12	12	- <sup>1)</sup>				

<sup>1)</sup> No performance assessed

Factor for temperature range 72/120°C: 0,83

**Table C7.2:** Characteristic resistance under shear load for edge distance  $c=60\text{mm}$

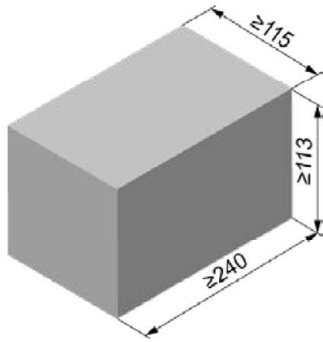
Anchor rod		M6		M8		M10			M12			M16			-		-	
Internal threaded anchor FIS E		-		-		-			-			-			M6	M8	M10	M12
															11x85		15x85	
<b><math>V_{Rk} = V_{Rk,b} = V_{Rk,c}</math> [kN] depending on the compressive strength <math>f_b</math> (temperature range 50/80°C and 72/120°C)</b>																		
compressive strength $f_b$	use category	Effective anchorage depth $h_{ef}$ [mm]														85		
		50	100	50	100	50	100	200	50	100	200	50	100	200				
12N/mm <sup>2</sup>	w/w   w/d	1,2	2,5	1,2	3,0	2,0	3,0	1,5	1,5	3,0	3,0	0,6	3,0	4,5	- <sup>1)</sup>			
	d/d														- <sup>1)</sup>			
20N/mm <sup>2</sup>	w/w   w/d	1,5	3,5	1,5	4,5	3,0	4,5	2,5	2,0	4,5	4,5	0,9	4,5	6,0	- <sup>1)</sup>			
	d/d														- <sup>1)</sup>			
28N/mm <sup>2</sup>	w/w   w/d	2,0	4,0	2,0	5,0	3,5	5,0	3,0	2,5	5,0	5,0	1,2	5,0	7,5	- <sup>1)</sup>			
	d/d														- <sup>1)</sup>			

<sup>1)</sup> No performance assessed

Factor for job site tests and displacements see annex C110

fischer injection system FIS V Plus for masonry	<b>Annex C 7</b> Appendix 33 / 136
<b>Performance</b> Solid brick Mz, NF, Characteristic resistance under tension and shear load $c=60\text{mm}$	

## Solid brick Mz, 2DF, EN 771-1:2015



Solid brick Mz, 2DF, EN 771-1:2015			
Producer	e.g. Wienerberger		
Nominal dimensions [mm]	length L	width W	height H
	≥ 240	≥ 115	≥ 113
Density $\rho$ [kg/dm <sup>3</sup> ]	≥ 1,8		
Compressive strength $f_b$ [N/mm <sup>2</sup> ]	10 / 16		
Standard or annex	EN 771-1:2015		

**Table C8.1:** Installation parameters

Anchor rod		M6		M8		M10		M12		M16		-		-		
Internal threaded anchor FIS E		-		-		-		-		-		M6 11x85		M8 15x85		
<b>Anchor rod and internal threaded anchor FIS E without perforated sleeve</b>																
Effective anchorage depth	$h_{ef}$	[mm]	50	100	50	100	50	100	50	100	50	100	85			
Max. installation torque	$T_{inst}$	[Nm]	4		10						4		10			
<b>Anchor rod and internal threaded anchor FIS E with perforated sleeve FIS H 16x85 K</b>																
Effective anchorage depth	$h_{ef}$	[mm]	_1)		85				_1)				85		_1)	
Max. installation torque	$T_{inst}$	[Nm]			10						4		10			
<b>General installation parameters</b>																
Edge distance	$c_{min}$	[mm]							60							
Spacing	$s_{min} \parallel$								120							
	$s_{cr} \parallel$								240							
	$s_{cr} \perp = s_{min} \perp$								115							
<b>Drilling method</b>																
Hammer drilling with hard metal hammer drill																

<sup>1)</sup> No performance assessed

**Table C8.2:** Group factors

Anchor rods		M6		M8		M10		M12		M16		-		-	
Internal threaded anchor FIS E		-		-		-		-		-		M6 11x85		M8 15x85	
Group factor	$\alpha_{g,N} \parallel$	[-]							1,5						
	$\alpha_{g,V} \parallel$								1,4						
	$\alpha_{g,N} \perp$								2						
	$\alpha_{g,V} \perp$														

fischer injection system FIS V Plus for masonry

**Performance**  
Solid brick Mz, 2DF, dimensions, installation parameters

**Annex C 8**

Appendix 34 / 136

# Solid brick Mz, 2DF, EN 771-1:2015

**Table C9.1:** Characteristic resistance under tension load

Anchor rod	M6	M8	M10	M12	M16	-	-	M8	M10	-						
Internal threaded anchor FIS E	-	-	-	-	-	M6	M8	M10	M12	-	-	M6	M8			
	11x85		15x85		-		-		-		11x85					
Perforated sleeve FIS H K	-	-	-	-	-	-	-	16x85								
<b><math>N_{Rk} = N_{Rk,p} = N_{Rk,b}</math> [kN] depending on the compressive strength <math>f_b</math> (temperature range 50/80°C)</b>																
compressive strength $f_b$	use category		Effective anchorage depth $h_{ef}$ [mm]													
			50	100	50	100	50	100	50	100	50	100	50	100	85	
10N/mm <sup>2</sup>	w/w	w/d	1,5	2,5	1,5	2,5	1,5	3	2	3,5	2	3,5	2		1,5	
	d/d		3	4,0	3,0	4,0	3,0	4,5	3	5,5	3	5,5	3		3	
16N/mm <sup>2</sup>	w/w	w/d	2,5	4	2,5	4	2,5	4,5	3,5	5,5	3,5	5,5	3,5		2,5	
	d/d		4,5	7,0	4,5	7,0	4,5	7,5	5,5	8	5,5	8	5,5		4,5	

Factor for temperature range 72/120°C: 0,83

**Table C9.2:** Characteristic resistance under shear load

Anchor rod	M6	M8	M10	M12	M16	-	-	M8	M10	-					
Internal threaded anchor FIS E	-	-	-	-	-	M6	M8	M10	M12	-	-	M6	M8		
	11x85		15x85		-		-		-		11x85				
Perforated sleeve FIS H K	-	-	-	-	-	-	-	16x85							
<b><math>V_{Rk} = V_{Rk,b} = V_{Rk,c}</math> [kN] depending on the compressive strength <math>f_b</math> (temperature range 50/80°C and 72/120°C)</b>															
compressive strength $f_b$	use category		Effective anchorage depth $h_{ef}$ [mm]												
			≥ 50					85							
10N/mm <sup>2</sup>	w/w	w/d	2,5	3,0	3,0	3,5	3,0	2,5	3,0	3,0	3,0	3,0	3,5	2,5	3,0
	d/d														
16N/mm <sup>2</sup>	w/w	w/d	4,0	5,0	5,5	5,5	5,0	4,0	5,0	5,0	5,0	5,0	6,0	4,0	5,0
	d/d														

Factor for job site tests and displacements see annex C110

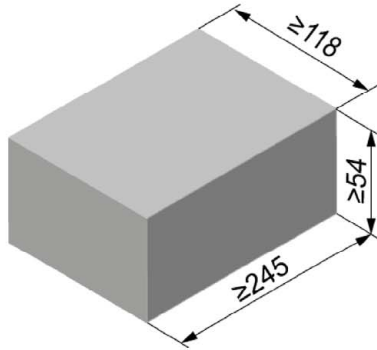
fischer injection system FIS V Plus for masonry

**Performance**  
Solid brick Mz, 2DF, Characteristic resistance under tension and shear load

**Annex C 9**

Appendix 35 / 136

## Solid brick Mz, EN 771-1:2015



Solid brick Mz, EN 771-1:2015			
Producer	e.g. Nigra		
Nominal dimensions [mm]	length L	width W	height H
	≥ 245	≥ 118	≥ 54
Density $\rho$ [kg/dm <sup>3</sup> ]	≥ 1,8		
Compressive strength $f_b$ [N/mm <sup>2</sup> ]	10 / 20		
Standard or annex	EN 771-1:2015		

**Table C10.1:** Installation parameters

Anchor rod	M6		M8		M10		M12		M16		-		-	
Internal threaded anchor FIS E	-		-		-		-		-		M6		M8	
											11x85		15x85	
<b>Anchor rod and internal threaded anchor FIS E without perforated sleeve</b>														
Effective anchorage depth $h_{ef}$ [mm]	50	100	50	100	50	100	50	100	50	100	85			
Max. installation torque $T_{inst}$ [Nm]	4		10						4		10			
<b>General installation parameters</b>														
Edge distance $C_{min}$	60													
Spacing	245													
	60													
<b>Drilling method</b>														
Hammer drilling with hard metal hammer drill														

**Table C10.2:** Group factors

Anchor rods	M6		M8		M10		M12		M16		-		-		
Internal threaded anchor FIS E	-		-		-		-		-		M6		M8		
											11x85		15x85		
Group factor	2										[-]				
															$\alpha_{g,N \parallel}$
															$\alpha_{g,V \parallel}$
															$\alpha_{g,N \perp}$
	$\alpha_{g,V \perp}$														

fischer injection system FIS V Plus for masonry

**Performance**  
Solid brick Mz, dimensions, installation parameters

**Annex C 10**

Appendix 36 / 136

# Solid brick Mz, EN 771-1:2015

**Table C11.1:** Characteristic resistance under tension load

Anchor rod		M6	M8	M10	M12	M16	-		-		
Internal threaded anchor FIS E		-	-	-	-	-	M6	M8	M10	M12	
		11x85		15x85							
$N_{Rk} = N_{Rk,p} = N_{Rk,b}$ [kN] depending on the compressive strength $f_b$ (temperature range 50/80°C)											
compressive strength $f_b$	use category		Effective anchorage depth $h_{ef}$ [mm]								
			≥ 50					85			
10N/mm <sup>2</sup>	w/w	w/d	0,6	0,9	0,75	0,75	0,75	0,6	0,75		
	d/d		1,2	1,5	1,2	1,2	1,2	1,2	1,2		
20N/mm <sup>2</sup>	w/w	w/d	0,9	1,5	1,2	1,2	1,2	0,9	1,2		
	d/d		1,5	2,5	2,0	2,0	2,0	1,5	2,0		

Factor for temperature range 72/120°C: 0,83

**Table C11.2:** Characteristic resistance under shear load

Anchor rod		M6	M8	M10	M12	M16	-		-		
Internal threaded anchor FIS E		-	-	-	-	-	M6	M8	M10	M12	
		11x85		15x85							
$V_{Rk} = V_{Rk,b} = V_{Rk,c}$ [kN] depending on the compressive strength $f_b$ (temperature range 50/80°C and 72/120°C)											
compressive strength $f_b$	use category		Effective anchorage depth $h_{ef}$ [mm]								
			≥ 50					85			
10N/mm <sup>2</sup>	w/w	w/d	2,0	3,0	4,0	4,5	5,5	2,0	3,0	4,0	4,5
	d/d										
20N/mm <sup>2</sup>	w/w	w/d	2,5	4,0	5,5	6,0	8,0	2,5	4,0	5,5	6,0
	d/d										

Factor for job site tests and displacements see annex C110

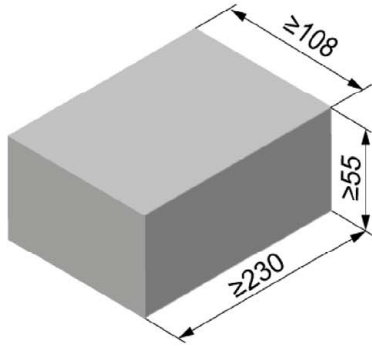
fischer injection system FIS V Plus for masonry

**Performance**

Solid brick Mz, Characteristic resistance under tension and shear load

**Annex C 11**

## Solid brick Mz, EN 771-1:2015



Solid brick Mz, EN 771-1:2015			
Producer	e.g. Wienerberger		
Nominal dimensions [mm]	length L	width W	height H
	≥ 230	≥ 108	≥ 55
Density $\rho$ [kg/dm <sup>3</sup> ]	≥ 1,8		
Compressive strength $f_b$ [N/mm <sup>2</sup> ]	10 / 20		
Standard or annex	EN 771-1:2015		

**Table C12.1:** Installation parameters

Anchor rod	M6	M8	M10	M12	M16	-	-		
Internal threaded anchor FIS E	-	-	-	-	-	M6	M8	M10	M12
							11x85		15x85
<b>Anchor rod and internal threaded anchor FIS E without perforated sleeve</b>									
Effective anchorage depth $h_{ef}$ [mm]	50	90	50	90	50	90	50	90	85
Max. installation torque $T_{inst}$ [Nm]	4	10				4	10		
<b>General installation parameters</b>									
Edge distance $c_{min}$					60				
Spacing	$Scr \parallel = S_{min \parallel}$				230				
	$Scr \perp = S_{min \perp}$				60				
<b>Drilling method</b>									
Hammer drilling with hard metal hammer drill									

**Table C12.2:** Group factors

Anchor rods	M6	M8	M10	M12	M16	-	-			
Internal threaded anchor FIS E	-	-	-	-	-	M6	M8	M10	M12	
							11x85		15x85	
Group factor	$\alpha_{g,N \parallel}$	[-]								
	$\alpha_{g,V \parallel}$									
	$\alpha_{g,N \perp}$									
	$\alpha_{g,V \perp}$									
2										

fischer injection system FIS V Plus for masonry

**Performance**  
Solid brick Mz, dimensions, installation parameters

**Annex C 12**

Appendix 38 / 136



# Solid brick Mz, EN 771-1:2015

**Table C13.1:** Characteristic resistance under tension load

Anchor rod		M6	M8	M10	M12	M16	-		-		
Internal threaded anchor FIS E		-	-	-	-	-	M6	M8	M10	M12	
								11x85		15x85	
<b><math>N_{Rk} = N_{Rk,p} = N_{Rk,b}</math> [kN] depending on the compressive strength <math>f_b</math> (temperature range 50/80°C)</b>											
compressive strength $f_b$	use category		Effective anchorage depth $h_{ef}$ [mm]								
			≥ 50					85			
10N/mm <sup>2</sup>	w/w	w/d	0,6	0,9	0,75	0,75	0,75	0,75			
	d/d		1,2	1,5	1,2	1,2	1,2	1,2			
20N/mm <sup>2</sup>	w/w	w/d	0,9	1,5	1,2	1,2	1,2	1,2			
	d/d		1,5	2,5	2,0	2,0	2,0	2,0			

Factor for temperature range 72/120°C: 0,83

**Table C13.2:** Characteristic resistance under shear load

Anchor rod		M6	M8	M10	M12	M16	-		-		
Internal threaded anchor FIS E		-	-	-	-	-	M6	M8	M10	M12	
								11x85		15x85	
<b><math>V_{Rk} = V_{Rk,b} = V_{Rk,c}</math> [kN] depending on the compressive strength <math>f_b</math> (temperature range 50/80°C and 72/120°C)</b>											
compressive strength $f_b$	use category		Effective anchorage depth $h_{ef}$ [mm]								
			≥ 50					85			
10N/mm <sup>2</sup>	w/w	w/d	2,0	3,0	4,0	4,5	5,5	2,0	3,0	4,0	4,5
	d/d										
20N/mm <sup>2</sup>	w/w	w/d	2,5	4,0	5,5	6,0	8,0	2,5	4,0	5,5	6,0
	d/d										

Factor for job site tests and displacements see annex C110

fischer injection system FIS V Plus for masonry

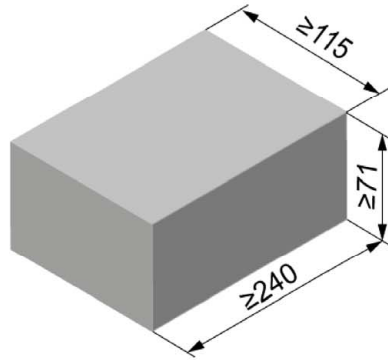
**Performance**

Solid brick Mz, Characteristic resistance under tension and shear load

**Annex C 13**

Appendix 39 / 136

# Solid sand-lime brick KS, NF, EN 771-2:2015



Solid sand-lime brick KS, NF, EN 771-2:2015			
Producer			
Nominal dimensions [mm]	length L	width W	height H
	≥ 240	≥ 115	≥ 71
Density $\rho$ [kg/dm <sup>3</sup> ]	≥ 1,8		
Compressive strength $f_b$ [N/mm <sup>2</sup> ]	12 / 20 / 28		
Standard or annex	EN 771-2:2015		

**Table C14.1:** Installation parameters

Anchor rod		M6		M8		M10		M12		M16		-		-		
Internal threaded anchor FIS E		-		-		-		-		-		M6		M8		
												11x85		15x85		
Anchor rod and internal threaded anchor FIS E without perforated sleeve																
Effective anchorage depth	$h_{ef}$	[mm]	50	100	50	100	50	100	50	100	50	100	85		85	
							200		200		200					
Max. installation torque	$T_{inst}$	[Nm]	3		5		15		15		25		3	5	15	
General installation parameters																
Edge distance	$c_{min}$											60				
Spacing	$s_{min \parallel}$											80				
	$s_{cr \parallel}$											80				
	$s_{min \perp}$											3x $h_{ef}$				
	$s_{cr \perp}$											3x $h_{ef}$				
	Drilling method															
Hammer drilling with hard metal hammer drill																

**Table C14.2:** Group factors

Anchor rod		M6		M8		M10		M12		M16		-		-	
Internal threaded anchor FIS E		-		-		-		-		-		M6		M8	
												11x85		15x85	
Group factor	$\alpha_{g,N \parallel}$											0,7			
	$\alpha_{g,v \parallel}$											1,3			
	$\alpha_{g,N \perp}$											2,0			
	$\alpha_{g,v \perp}$											2,0			

fischer injection system FIS V Plus for masonry

**Performance**  
Solid sand-lime brick KS, NF, dimensions, installation parameters

**Annex C 14**

Appendix 40 / 136

# Solid sand-lime brick KS, NF, EN 771-2:2015

**Table C15.1:** Characteristic resistance under tension load

Anchor rod		M6		M8		M10		M12		M16		-		-			
Internal threaded anchor FIS E		-		-		-		-		-		M6		M8			
		-		-		-		-		-		11x85		15x85			
<b><math>N_{Rk} = N_{Rk,p} = N_{Rk,b}</math> [kN] depending on the compressive strength <math>f_b</math> (temperature range 50/80°C)</b>																	
compressive strength $f_b$	use category		Effective anchorage depth $h_{ef}$ [mm]														
	50	100	50	100	50	100	200	50	100	200	50	100	200	85	85		
12N/mm <sup>2</sup>	w/w	w/d	2,0	3,0	2,5	4,5	2,5	3,5	7,0	2,5	3,0	6,5	2,5	3,5	8,0	2,5	2,5
	d/d		4,0	5,5	4,0	8,0	4,0	5,5	12	4,0	4,5	12	4,5	5,5	12	4,0	4,0
20N/mm <sup>2</sup>	w/w	w/d	3,0	4,5	3,5	6,5	3,5	4,5	10	3,5	4,0	9,5	4,0	5,0	11	3,5	3,5
	d/d		5,5	7,5	6,0	11	6,0	8,0	12	6,0	6,5	12	6,5	8,0	12	6,0	6,0
28N/mm <sup>2</sup>	w/w	w/d	3,5	5,0	4,0	8,0	4,5	5,5	12	4,5	5,0	11	4,5	5,5	12	4,5	4,5
	d/d		6,5	9,0	7,0	12	7,0	9,0	12	7,0	7,5	12	7,5	9,5	12	7,0	7,0

Factor for temperature range 72/120°C: 0,83

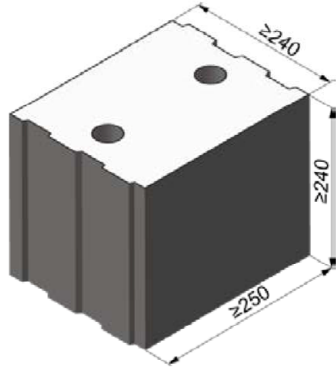
**Table C15.2:** Characteristic resistance under shear load

Anchor rod		M6		M8		M10		M12		M16		-		-		
Internal threaded anchor FIS E		-		-		-		-		-		M6		M8		
		-		-		-		-		-		11x85		15x85		
<b><math>V_{Rk} = V_{Rk,b} = V_{Rk,c}</math> [kN] depending on the compressive strength <math>f_b</math> (temperature range 50/80°C and 72/120°C)</b>																
compressive strength $f_b$	use category		Effective anchorage depth $h_{ef}$ [mm]													
	50	100	50	100	50	≥100	50	≥100	50	≥100	50	≥100	85	85		
12N/mm <sup>2</sup>	w/w	w/d	1,5	3,0	1,5	3,0	1,2	2,0	1,2	2,0	1,2	2,0	1,2	1,2		
	d/d		1,5	3,0	1,5	3,0	1,2	2,0	1,2	2,0	1,2	2,0	1,2	1,2		
20N/mm <sup>2</sup>	w/w	w/d	2,5	4,0	2,5	4,0	1,5	3,0	1,5	3,0	1,5	3,0	1,5	1,5		
	d/d		2,5	4,0	2,5	4,0	1,5	3,0	1,5	3,0	1,5	3,0	1,5	1,5		
28N/mm <sup>2</sup>	w/w	w/d	3,0	4,5	3,0	4,5	1,5	3,5	1,5	3,5	1,5	3,5	1,5	1,5		
	d/d		3,0	4,5	3,0	4,5	1,5	3,5	1,5	3,5	1,5	3,5	1,5	1,5		

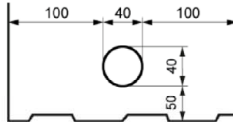
Factor for job site tests and displacements see annex C110

fischer injection system FIS V Plus for masonry	<b>Annex C 15</b> Appendix 41 / 136
<b>Performance</b> Solid sand-lime brick KS, NF, Characteristic resistance under tension and shear load	

# Solid sand-lime brick KS, 8DF, EN 771-2:2015



Solid sand-lime brick KS, 8DF, EN 771-2:2015			
Producer	-		
Nominal dimensions [mm]	length L	width W	height H
	≥ 250	≥ 240	≥ 240
Density $\rho$ [kg/dm <sup>3</sup> ]	≥ 2,0		
Compressive strength $f_b$ [N/mm <sup>2</sup> ]	10 / 20 / 28		
Standard or annex	EN 771-2:2015		



Dimension see also Annex B 15

**Table C16.1:** Installation parameters

Anchor rod		M6	M8	M10	M12	M16	-	-			
Internal threaded anchor FIS E		-	-	-	-	-	M6	M8	M10	M12	
							11x85		15x85		
Anchor rod and internal threaded anchor FIS E without perforated sleeve											
Effective anchorage depth	$h_{ef}$	[mm]	50	100	50	100	50	100	50	100	85
Max. installation torque	$T_{inst}$	[Nm]	4		10				4	10	
Anchor rod and internal threaded anchor FIS E with perforated sleeve FIS H 16x85 K											
Effective anchorage depth	$h_{ef}$	[mm]	_1)		85		_1)		85		_1)
Max. installation torque	$T_{inst}$	[Nm]	_1)		10		_1)		4	10	_1)
General installation parameters											
Edge distance	$c_{min}$						60				
Spacing	$s_{min \parallel}$	[mm]					80				
	$s_{cr \parallel}$						3x $h_{ef}$				
	$s_{min \perp}$						80				
	$s_{cr \perp}$						3x $h_{ef}$				
Drilling method											
Hammer drilling with hard metal hammer drill											

<sup>1)</sup> No performance assessed

**Table C16.2:** Group factors

Anchor rods		M6	M8	M10	M12	M16	-	-		
Internal threaded anchor FIS E		-	-	-	-	-	M6	M8	M10	M12
							11x85		15x85	
Group factors	$\alpha_{g,N \parallel}$	[-]					1,5			
	$\alpha_{g,v \parallel}$						1,2			
	$\alpha_{g,N \perp}$						1,5			
	$\alpha_{g,v \perp}$						1,2			

fischer injection system FIS V Plus for masonry

**Performance**  
Solid sand-lime brick KS, 8DF, dimensions, installation parameters

**Annex C 16**

Appendix 42 / 136

# Solid sand-lime brick KS, 8DF, EN 771-2:2015

**Table C17.1:** Characteristic resistance under tension load

Anchor rod		M6	M8	M10	M12	M16	-		-		M8	M10	-	
Internal threaded anchor FIS E		-	-	-	-	-	M6	M8	M10	M12	-	-	M6	M8
							11x85		15x85				11x85	
Perforated sleeve FIS H K		-	-	-	-	-	-	-	-	16x85				
$N_{Rk} = N_{Rk,p} = N_{Rk,b}$ [kN] depending on the compressive strength $f_b$ (temperature range 50/80°C)														
compressive strength $f_b$	use category	Effective anchorage depth $h_{ef}$ [mm]												
		≥ 50						85						
10N/mm <sup>2</sup>	w/w	w/d	3,0	4,0	4,5	4,5	3,5	3,0	3,5	4,5	3,0	4,5		
	d/d		5,0	7,0	7,0	7,0	5,5	5,0	5,5	8,0	5,0	8,0		
20N/mm <sup>2</sup>	w/w	w/d	4,5	6,0	6,0	6,0	5,0	4,5	5,0	6,5	4,5	6,5		
	d/d		7,5	10,0	10,0	10,0	7,5	7,5	7,5	11,0	7,5	11		
28N/mm <sup>2</sup>	w/w	w/d	5,0	8,0	8,5	8,5	7,0	5,0	7,0	8,5	5,0	8,5		
	d/d		8,5	12,0	12,0	12,0	11,0	8,5	11,0	12,0	8,5	12		

Factor for temperature range 72/120°C: 0,83

**Table C17.2:** Characteristic resistance under shear load

Anchor rod		M6	M8	M10	M12	M16	-		-		M8	M10	-	
Internal threaded anchor FIS E		-	-	-	-	-	M6	M8	M10	M12	-	-	M6	M8
							11x85		15x85				11x85	
Perforated sleeve FIS H K		-	-	-	-	-	-	-	-	16x85				
$V_{Rk} = V_{Rk,b} = V_{Rk,c}$ [kN] depending on the compressive strength $f_b$ (temperature range 50/80°C and 72/120°C)														
compressive strength $f_b$	use category	Effective anchorage depth $h_{ef}$ [mm]												
		≥ 50						85						
10N/mm <sup>2</sup>	w/w	w/d	2,5	4,5			2,5	4,5		4,5		2,5	4,5	
	d/d													
20N/mm <sup>2</sup>	w/w	w/d	4,0	6,5			4,0	6,5		6,5		4,0	6,5	
	d/d													
28N/mm <sup>2</sup>	w/w	w/d	5,0	9,0			5,0	9,0		9,0		5,0	9,0	
	d/d													

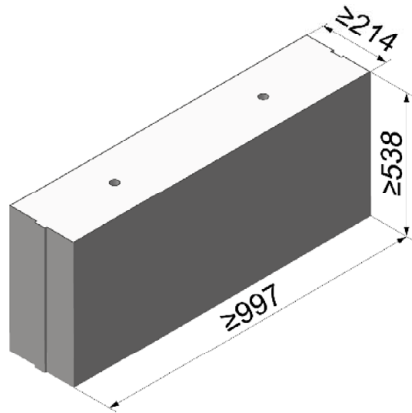
Factor for job site tests and displacements see annex C110

fischer injection system FIS V Plus for masonry

**Performance**  
Solid sand-lime brick KS, 8DF, Characteristic resistance under tension and shear load

**Annex C 17**

# Solid sand-lime brick KS, EN 771-2:2015



Solid sand-lime brick KS, EN 771-2:2015			
Producer	e.g. Calduran		
Nominal dimensions [mm]	length L	width W	height H
	≥ 997	≥ 214	≥ 538
Density $\rho$ [kg/dm <sup>3</sup> ]	1,8		2,2
Compressive strength $f_b$ [N/mm <sup>2</sup> ]	10 / 20		36
Standard or annex	EN 771-2:2015		



**Table C18.1:** Installation parameters

Anchor rod	M6	M8	M10	M12	M16	-	-		
Internal threaded anchor FIS E	-	-	-	-	-	M6	M8	M10	M12
							11x85	15x85	
<b>Anchor rod and internal threaded anchor FIS E without perforated sleeve</b>									
Effective anchorage depth $h_{ef}$ [mm]	50	100	50	100	50	100	50	100	85
Max. installation torque $T_{inst}$ [Nm]	4	10				4	10		
<b>General installation parameters</b>									
Edge distance $c_{min}$	75								
Spacing	$S_{scr \parallel} = S_{min \parallel}$					3x $h_{ef}$			
	$S_{scr \perp} = S_{min \perp}$					3x $h_{ef}$			
<b>Drilling method</b>									
Hammer drilling with hard metal hammer drill									

**Table C18.2:** Group factors

Anchor rod	M6	M8	M10	M12	M16	-	-		
Internal threaded anchor FIS E	-	-	-	-	-	M6	M8	M10	M12
							11x85	15x85	
Group factors	$\alpha_{g,N \parallel}$	[-]	2						
	$\alpha_{g,V \parallel}$								
	$\alpha_{g,N \perp}$								
	$\alpha_{g,V \perp}$								

fischer injection system FIS V Plus for masonry

**Performance**  
Solid sand-lime brick KS, dimensions, installation parameters

**Annex C 18**

Appendix 44 / 136

# Solid sand-lime brick KS, EN 771-2:2015

**Table C19.1:** Characteristic resistance under tension load

Anchor rod		M6	M8	M10	M12	M16	-		-			
Internal threaded anchor FIS E		-	-	-	-	-	M6	M8	M10	M12		
<b><math>N_{Rk} = N_{Rk,p} = N_{Rk,b}</math> [kN] depending on the compressive strength <math>f_b</math> (temperature range 50/80°C)</b>												
compressive strength $f_b$	use category		Effective anchorage depth $h_{ef}$ [mm]									
			50	100	50	100	50	100	50	100	85	
10N/mm <sup>2</sup>	w/w	w/d	4,0	4,0	7,0	5,0	6,0	5,0	6,0	5,5	7,5	5,5
		d/d	7,0	7,0	12,0	8,0	9,5	8,0	10,0	9,0	11,5	9,0
20N/mm <sup>2</sup>	w/w	w/d	5,5	6,0	10,0	7,0	8,5	7,0	9,0	8,0	11,0	8,0
		d/d	8,5	10,5	12,0	11,5	12,0	11,0	12,0	12,0	12,0	12,0
36N/mm <sup>2</sup>	w/w	w/d	4,5	8,0	12,0	11,5	12,0	12,0	12,0	12,0	12,0	12,0
		d/d	8,0	12,0	12,0	12,0	12,0	12,0	12,0	12,0	12,0	12,0

Factor for temperature range 72/120°C: 0,83

**Table C19.2:** Characteristic resistance under shear load

Anchor rod		M6	M8	M10	M12	M16	-		-		
Internal threaded anchor FIS E		-	-	-	-	-	M6	M8	M10	M12	
<b><math>V_{Rk} = V_{Rk,b} = V_{Rk,c}</math> [kN] depending on the compressive strength <math>f_b</math> (temperature range 50/80°C and 72/120°C)</b>											
compressive strength $f_b$	use category		Effective anchorage depth $h_{ef}$ [mm]								
			≥ 50							85	
10N/mm <sup>2</sup>	w/w	w/d	3,0	5,0	5,5	4,0	4,0	3,0	5,0	5,5	4,0
		d/d									
20N/mm <sup>2</sup>	w/w	w/d	4,5	7,0	7,5	6,0	6,0	4,5	7,0	7,5	6,0
		d/d									
36N/mm <sup>2</sup>	w/w	w/d	4,5	9,0	11,0	12,0	12,0	4,5	9,0	11,0	12,0
		d/d									

Factor for job site tests and displacements see annex C110

fischer injection system FIS V Plus for masonry

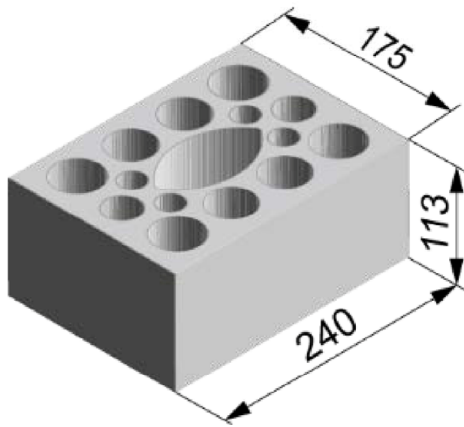
**Performance**

Solid sand-lime brick KS, Characteristic resistance under tension and shear load

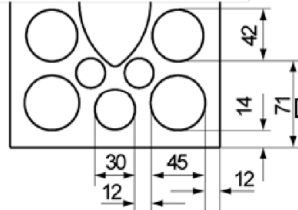
**Annex C 19**

Appendix 45 / 136

# Perforated sand-lime brick KSL, 3DF, EN 771-2:2015



Perforated sand-lime brick KSL, 3DF, EN 771-2:2015			
Producer		e.g. KS Wemding	
Nominal dimensions [mm]		length L	width W
		240	175
Density $\rho$ [kg/dm <sup>3</sup> ]		$\geq 1,4$	
Compressive strength $f_b$ [N/mm <sup>2</sup> ]		8 / 10 / 12 / 16 / 20	
Standard or annex		EN 771-2:2015	



Dimension see also Annex B 15

**Tabelle C20.1:** Installation parameters  
(Pre-positioned anchorage with perforated sleeve FIS H K)

Anchor rod	M6	M8	M6	M8	-	M8	M10	M8	M10	-	M12	M16	M12	M16	
Internal threaded anchor FIS E	-		-		M6	M8	-		-		M10	M12	-		
					11x85						15x85				
Perforated sleeve FIS H K	12x50		12x85		16x85				16x130		20x85			20x130	
Anchor rod and internal threaded anchor FIS E with perforated sleeve FIS H K															
Max. installation torque	$T_{inst}$	[Nm]	2												
<b>General installation parameters</b>															
Edge distance	$c_{min}$		60				80								
Spacing	$s_{min \parallel}$	[mm]					100								
	$s_{scr \parallel}$						240								
	$s_{min \perp}$						115								
	$s_{scr \perp}$						115								
<b>Drilling method</b>															
Hammer drilling with hard metal hammer drill															

**Table C20.2:** Group factors

Anchor rod	M6	M8	M6	M8	-	M8	M10	M8	M10	-	M12	M16	M12	M16	
Internal threaded anchor FIS E	-		-		M6	M8	-		-		M10	M12	-		
					11x85						15x85				
Perforated sleeve FIS H K	12x50		12x85		16x85				16x130		20x85			20x130	
Group factors	$\alpha_{g,N \parallel} = \alpha_{g,v \parallel}$	[-]	1,5												
	$\alpha_{g,N \perp} = \alpha_{g,v \perp}$		2,0												

fischer injection system FIS V Plus for masonry

**Performance**  
Perforated sand-lime brick KSL, 3DF, dimensions, installation parameters

**Annex C 20**

Appendix 46 / 136



**Perforated sand-lime brick KSL, 3DF, EN 771-2:2015**

**Table C21.1:** Installation parameters  
(Push through anchorage with perforated sleeve FIS H K)

Anchor rod		M10	M12	M16
Perforated sleeve FIS H K		18x130/200		22x130/200
<b>Anchor rod with perforated sleeve FIS H K</b>				
Max. installation torque	$T_{inst}$	[Nm]	2	
<b>General installation parameters</b>				
Edge distance	$c_{min}$		80	
Spacing	$s_{min \parallel}$	[mm]	100	
	$s_{cr \parallel}$		240	
	$s_{min \perp}$		115	
	$s_{cr \perp}$		115	
<b>Drilling method</b>				
Hammer drilling with hard metal hammer drill				

**Table C21.2:** Group factors

Anchor rod		M10	M12	M16
Perforated sleeve FIS H K		18x130/200		22x130/200
Group factors	$\alpha_{g,N \parallel}$	[-]	1,5	
	$\alpha_{g,V \parallel}$			
	$\alpha_{g,N \perp}$		2,0	
	$\alpha_{g,V \perp}$			



**Perforated sand-lime brick KSL, 3DF, EN 771-2:2015**

**Table C22.1:** Characteristic resistance under tension load (Pre-positioned anchorage)

Anchor rod	M6	M8	M6	M8	-	M8	M10	M8	M10	-	M12	M16	M12	M16
Internal threaded anchor FIS E	-		-		M6	M8	-		-		M10	M12	-	
					11x85						15x85			
Perforated sleeve FIS H K	12x50		12x85		16x85			16x130		20x85			20x130	
<b><math>N_{Rk} = N_{Rk,p} = N_{Rk,b}</math> [kN] depending on the compressive strength <math>f_b</math> (temperature range 50/80°C)</b>														
compressive strength $f_b$	use category													
	w/w	w/d												
8 N/mm <sup>2</sup>	w/w	w/d	1,5			2,0			2,0		2,0		2,0	
	d/d		1,5			2,0			2,5		2,5		2,5	
10 N/mm <sup>2</sup>	w/w	w/d	2,0			2,0			2,5		2,5		2,5	
	d/d		2,0			2,5			3,0		3,0		3,0	
12 N/mm <sup>2</sup>	w/w	w/d	2,5			2,5			3,0		3,0		3,0	
	d/d		2,5			3,0			3,5		3,5		3,5	
16 N/mm <sup>2</sup>	w/w	w/d	3,0			3,5			4,5		4,5		4,5	
	d/d		3,5			4,0			4,5		4,5		4,5	
20 N/mm <sup>2</sup>	w/w	w/d	4,0			4,5			5,5		5,5		5,5	
	d/d		4,5			5,0			6,0		6,0		6,0	

**Table C22.2:** Characteristic resistance under tension load (Push through anchorage)

Anchor rod	M10		M12		M16	
Perforated sleeve FIS H K	18x130/200				22x130/200	
<b><math>N_{Rk} = N_{Rk,p} = N_{Rk,b}</math> [kN] depending on the compressive strength <math>f_b</math> (temperature range 50/80°C)</b>						
compressive strength $f_b$	use category					
	w/w	w/d				
8 N/mm <sup>2</sup>	w/w	w/d	2,0			
	d/d		2,5			
10 N/mm <sup>2</sup>	w/w	w/d	2,5			
	d/d		3,0			
12 N/mm <sup>2</sup>	w/w	w/d	3,0			
	d/d		3,5			
16 N/mm <sup>2</sup>	w/w	w/d	4,5			
	d/d		4,5			
20 N/mm <sup>2</sup>	w/w	w/d	5,5			
	d/d		6,0			

Factor for job site tests and displacements see annex C110

Factor for temperature range 72/120°C: 0,83

fischer injection system FIS V Plus for masonry

**Performance**  
Perforated sand-lime brick KSL, 3DF, Characteristic resistance under tension load

**Annex C 22**

Appendix 48 / 136

**Perforated sand-lime brick KSL, 3DF, EN 771-2:2015**

**Table C23.1:** Characteristic resistance under shear load (Pre-positioned anchorage)

Anchor rod	M6	M8	M6	M8	-	M8	M10	M8	M10	-	M12	M16	M12	M16
Internal threaded anchor FIS E	-		-		M6	M8	-		-		M10	M12	-	
					11x85						15x85			
Perforated sleeve FIS H K	12x50		12x85		16x85			16x130		20x85			20x130	
<b><math>V_{Rk} = V_{Rk,b} = V_{Rk,c}</math> [kN] depending on the compressive strength <math>f_b</math> (temperature range 50/80°C and 72/120°C)</b>														
compressive strength $f_b$	use category													
8 N/mm <sup>2</sup>	w/w	w/d	1,5						3,0			2,5	3,0	2,5
	d/d													
10 N/mm <sup>2</sup>	w/w	w/d	2,0						3,5					
	d/d													
12 N/mm <sup>2</sup>	w/w	w/d	2,5						4,5			4,0	4,5	4,0
	d/d													
16 N/mm <sup>2</sup>	w/w	w/d	3,0	3,5	3,0	3,5	3,0	6,0			5,5	6,0	5,5	
	d/d													
20 N/mm <sup>2</sup>	w/w	w/d	4,0	4,5	4,0	4,5	4,0	7,5			6,5	7,5	6,5	
	d/d													

**Table C23.2:** Characteristic resistance under shear load (Push through anchorage)

Anchor rod	M10				M12			M16			
Perforated sleeve FIS H K	18x130/200							22x130/200			
<b><math>V_{Rk} = V_{Rk,b} = V_{Rk,c}</math> [kN] depending on the compressive strength <math>f_b</math> (temperature range 50/80°C and 72/120°C)</b>											
compressive strength $f_b$	use category										
8 N/mm <sup>2</sup>	w/w	w/d	3,0						2,5		
	d/d										
10 N/mm <sup>2</sup>	w/w	w/d	3,5						3,5		
	d/d										
12 N/mm <sup>2</sup>	w/w	w/d	4,5						4,0		
	d/d										
16 N/mm <sup>2</sup>	w/w	w/d	6,0						5,5		
	d/d										
20 N/mm <sup>2</sup>	w/w	w/d	7,5						6,5		
	d/d										

Factor for job site tests and displacements see annex C110

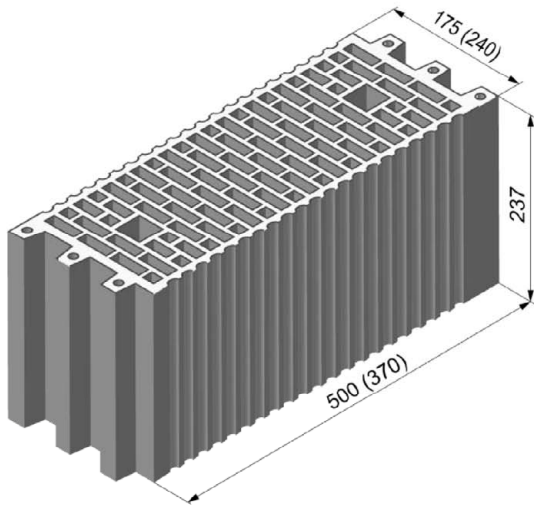
fischer injection system FIS V Plus for masonry

**Performance**  
Perforated sand-lime brick KSL, 3DF, Characteristic resistance under shear load

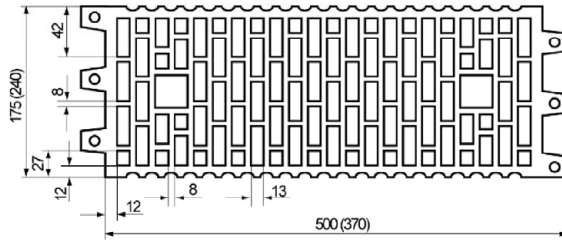
**Annex C 23**

Appendix 49 / 136

# Vertical perforated brick HLz, EN 771-1:2015



Vertical perforated brick HLz, EN 771-1:2015			
Producer	e.g. Wienerberger, Poroton		
Nominal dimensions [mm]	length L	width W	height H
	500	175	237
Density $\rho$ [kg/dm <sup>3</sup> ]	370	240	237
	$\geq 1,0$		
Compressive strength $f_b$ [N/mm <sup>2</sup> ]	4 / 6 / 8 / 10 / 12		
Standard or annex	EN 771-1:2015		



Dimension see also Annex B 15

**Table C24.1:** Installation parameters

Anchor rod		M6	M8	M6	M8	-	M8	M10	M8	M10	-	M12	M16	M12	M16
Internal threaded anchor FIS E		-	-			M6	M8				M10	M12			
						11x85					15x85				
Perforated sleeve FIS H K		12x50	12x85	16x85			16x130			20x85			20x130		
Anchor rod and internal threaded anchor FIS E with perforated sleeve FIS H K															
Max. installation torque	$T_{inst}$ [Nm]	2													
<b>General installation parameters</b>															
Edge distance	$C_{min}$	100													
Spacing	$S_{min \parallel}$	100													
	$S_{cr \parallel}$ [mm]	500 (370)													
	$S_{min \perp}$	100													
	$S_{cr \perp}$	240													
<b>Drilling method</b>															
Hammer drilling with hard metal hammer drill															

**Table C24.2:** Group factors

Anchor rod		M6	M8	M6	M8	-	M8	M10	M8	M10	-	M12	M16	M12	M16
Internal threaded anchor FIS E		-	-			M6	M8				M10	M12			
						11x85					15x85				
Perforated sleeve FIS H K		12x50	12x85	16x85			16x130			20x85			20x130		
Group factors	$\frac{\alpha_{g,N \parallel} = \alpha_{g,V \parallel}}{\alpha_{g,N \perp} = \alpha_{g,V \perp}}$ [-]	1													

fischer injection system FIS V Plus for masonry	<b>Annex C 24</b> Appendix 50 / 136
<b>Performance</b> Vertical perforated brick HLz, dimensions, installation parameters	

## Vertical perforated brick HLz, EN 771-1:2015

**Table C25.1:** Characteristic resistance under tension load

Anchor rod	M6	M8	M6	M8	-	M8	M10	M8	M10	-	M12	M16	M12	M16
Internal threaded anchor FIS E	-		-		M6	M8	-		-		M10	M12	-	
					11x85						15x85			
Perforated sleeve FIS H K	12x50		12x85		16x85			16x130		20x85			20x130	
<b><math>N_{Rk} = N_{Rk,p} = N_{Rk,b}</math> [kN] depending on the compressive strength <math>f_b</math> (temperature range 50/80°C)</b>														
compressive strength $f_b$	use category													
4 N/mm <sup>2</sup>	w/w	w/d	0,3			0,9			1,2					
	d/d		0,4			0,9			1,2					
6 N/mm <sup>2</sup>	w/w	w/d	0,5			1,5			2,0					
	d/d		0,6			1,5			2,0					
8 N/mm <sup>2</sup>	w/w	w/d	0,75			2,0			2,5					
	d/d		0,75			2,0			2,5					
10 N/mm <sup>2</sup>	w/w	w/d	0,9			2,5			3,0					
	d/d		0,9			2,5			3,5					
12 N/mm <sup>2</sup>	w/w	w/d	0,9			3,0			3,5					
	d/d		1,2			3,0			4,0					

Factor for temperature range 72/120°C: 0,83

**Table C25.2:** Characteristic resistance under shear load

Anchor rod	M6	M8	M6	M8	-	M8	M10	M8	M10	-	M12	M16	M12	M16
Internal threaded anchor FIS E	-		-		M6	M8	-		-		M10	M12	-	
					11x85						15x85			
Perforated sleeve FIS H K	12x50		12x85		16x85			16x130		20x85			20x130	
<b><math>V_{Rk} = V_{Rk,b} = V_{Rk,c}</math> [kN] depending on the compressive strength <math>f_b</math> (temperature range 50/80°C and 72/120°C)</b>														
compressive strength $f_b$	use category													
4 N/mm <sup>2</sup>	w/w	w/d	0,5			0,6			0,5			0,6		
	d/d		0,5			0,6			0,5			0,6		
6 N/mm <sup>2</sup>	w/w	w/d	0,75			0,9			0,75			0,9		
	d/d		0,75			0,9			0,75			0,9		
8 N/mm <sup>2</sup>	w/w	w/d	0,9			1,2			0,9			1,2		
	d/d		0,9			1,2			0,9			1,2		
10 N/mm <sup>2</sup>	w/w	w/d	1,2			1,5			1,2			1,5		
	d/d		1,2			1,5			1,2			1,5		
12 N/mm <sup>2</sup>	w/w	w/d	1,5			2,0			1,5			2,0		
	d/d		1,5			2,0			1,5			2,0		

Factor for job site tests and displacements see annex C110

fischer injection system FIS V Plus for masonry

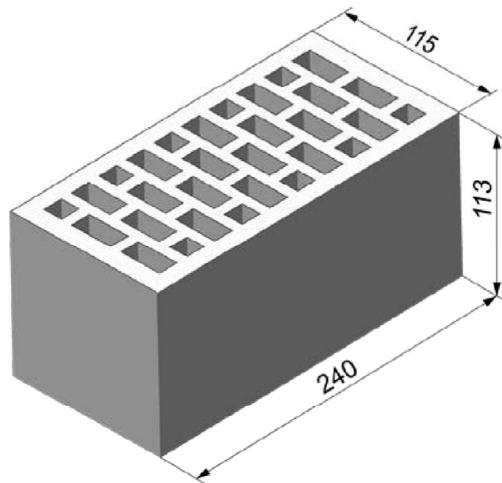
### Performance

Vertical perforated brick HLz, Characteristic resistance under tension and shear load

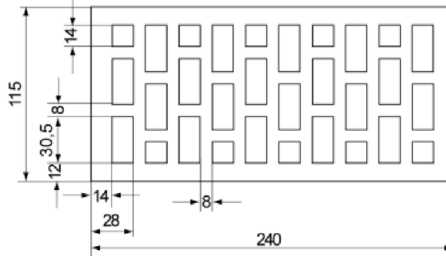
### Annex C 25

Appendix 51 / 136

# Vertical perforated brick HLz, 2DF, EN 771-1:2015



Vertical perforated brick HLz, 2DF, EN 771-1:2015			
Producer	e.g. Wienerberger		
Nominal dimensions [mm]	length L	width W	height H
	240	115	113
Density $\rho$ [kg/dm <sup>3</sup> ]	≥ 1,4		
Compressive strength $f_b$ [N/mm <sup>2</sup> ]	6 / 10 / 16 / 20 / 28		
Standard or annex	EN 771-1:2015		



Dimension see also Annex B 15

**Table C26.1:** Installation parameters

Anchor rod	M6	M8	M6	M8	-	M8	M10	-	M12	M16	
Internal threaded anchor FIS E	-		-		M6	M8	-		M10	M12	-
					11x85				15x85		-
Perforated sleeve FIS H K	12x50		12x85		16x85			20x85			
<b>Anchor rod and internal threaded anchor FIS E with perforated sleeve FIS H K</b>											
Max. installation torque $T_{inst}$ [Nm]	2										
<b>General installation parameters</b>											
Edge distance $c_{min}$ [mm]	80										
Spacing [mm]	$s_{cr \parallel} = s_{min \parallel}$		240								
	$s_{cr \perp} = s_{min \perp}$		115								
<b>Drilling method</b>											
Hammer drilling with hard metal hammer drill											

**Table C26.2:** Group factors

Anchor rod	M6	M8	M6	M8	-	M8	M10	-	M12	M16	
Internal threaded anchor FIS E	-		-		M6	M8	-		M10	M12	-
					11x85				15x85		-
Perforated sleeve FIS H K	12x50		12x85		16x85			20x85			
Group factors [-]	$\alpha_{g,N \parallel}$		2								
	$\alpha_{g,v \parallel}$										
	$\alpha_{g,N \perp}$										
	$\alpha_{g,v \perp}$										

fischer injection system FIS V Plus for masonry

**Performance**

Vertical perforated brick HLz, 2DF, dimensions, installation parameters

**Annex C 26**

Appendix 52 / 136

# Vertical perforated brick HLz, 2DF, EN 771-1:2015

**Table C27.1:** Characteristic resistance under tension load

Anchor rod	M6	M8	M6	M8	-	M8	M10	-	M12	M16	
Internal threaded anchor FIS E	-		-		M6	M8	-		M10	M12	-
					11x85				15x85		
Perforated sleeve FIS H K	12x50		12x85		16x85			20x85			
$N_{Rk} = N_{Rk,p} = N_{Rk,b}$ [kN] depending on the compressive strength $f_b$ (temperature range 50/80°C)											
compressive strength $f_b$	use category										
6 N/mm <sup>2</sup>	w/w	w/d	0,75	0,9	0,75			0,9			
	d/d		0,75	1,2	0,75			0,9			
10 N/mm <sup>2</sup>	w/w	w/d	1,2	1,5	1,2			1,5			
	d/d		1,2	2,0	1,2			1,5			
16 N/mm <sup>2</sup>	w/w	w/d	2,0	2,5	2,0			2,0			
	d/d		2,0	3,0	2,0			2,5			
20 N/mm <sup>2</sup>	w/w	w/d	2,5	3,5	2,5			3,0			
	d/d		2,5	4,0	2,5			3,0			
28 N/mm <sup>2</sup>	w/w	w/d	3,0	5,0	3,5			4,0			
	d/d		3,5	5,5	3,5			4,5			

Factor for temperature range 72/120°C: 0,83

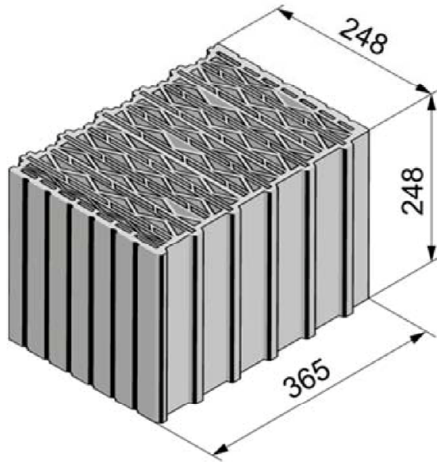
**Table C27.2:** Characteristic resistance under shear load

Anchor rod	M6	M8	M6	M8	-	M8	M10	-	M12	M16	
Internal threaded anchor FIS E	-		-		M6	M8	-		M10	M12	-
					11x85				15x85		
Perforated sleeve FIS H K	12x50		12x85		16x85			20x85			
$V_{Rk} = V_{Rk,b} = V_{Rk,c}$ [kN] depending on the compressive strength $f_b$ (temperature range 50/80°C and 72/120°C)											
compressive strength $f_b$	use category										
6 N/mm <sup>2</sup>	w/w	w/d	1,2	1,5	1,2	2,0	1,2	1,5	2,5		
	d/d		1,2	1,5	1,2	2,0	1,2	1,5	2,5		
10 N/mm <sup>2</sup>	w/w	w/d	2,0	2,5	2,0	4,0	2,0	2,5	4,5		
	d/d		2,0	2,5	2,0	4,0	2,0	2,5	4,5		
16 N/mm <sup>2</sup>	w/w	w/d	3,0	3,5	3,0	6,0	3,0	3,5	7,0		
	d/d		3,0	3,5	3,0	6,0	3,0	3,5	7,0		
20 N/mm <sup>2</sup>	w/w	w/d	4,0	4,5	4,0	7,5	4,0	4,5	8,5		
	d/d		4,0	4,5	4,0	7,5	4,0	4,5	8,5		
28 N/mm <sup>2</sup>	w/w	w/d	5,0	6,5	5,0	9,5	5,0	6,5	12,0		
	d/d		5,0	6,5	5,0	9,5	5,0	6,5	12,0		

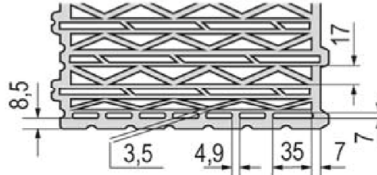
Factor for job site tests and displacements see annex C110

fischer injection system FIS V Plus for masonry	<b>Annex C 27</b> Appendix 53 / 136
<b>Performance</b> Vertical perforated brick HLz, 2DF, Characteristic resistance under tension and shear load	

# Vertical perforated brick HLz, T8, EN 771-1:2015



Vertical perforated brick HLz, T8, EN 771-1:2015			
Producer	-		
Nominal dimensions [mm]	length L	width W	height H
	248	365	248
Density $\rho$ [kg/dm <sup>3</sup> ]	0,6		
Compressive strength $f_b$ [N/mm <sup>2</sup> ]	4 / 6 / 8		
Standard or annex	EN 771-1:2015		



Dimension see also Annex B 15

**Table C28.1:** Installation parameters  
(Pre-positioned anchorage with perforated sleeve FIS H K)

Anchor rod		M6	M8	M6	M8	-	M8	M10	M8	M10	-	M12	M16	M12	M16	M12	M16	
Internal threaded anchor FIS E		-	-			M6	M8				M10	M12						
						11x85					15x85							
Perforated sleeve FIS H K		12x50		12x85		16x85			16x130		20x85		20x130		20x200			
Anchor rod and internal threaded anchor FIS E with perforated sleeve FIS H K																		
Max. installation torque	$T_{inst}$ [Nm]	3	5	3	5	3	5	5										
<b>General installation parameters</b>																		
Edge distance	$c_{min}$	60																
	$s_{min \parallel}$	80																
	$s_{cr \parallel}$	250																
	Spacing	$s_{min \perp}$	80															
		$s_{cr \perp}$	250															
<b>Drilling method</b>																		
Rotary drilling with carbide drill																		

**Table C28.2:** Group factors

Anchor rod		M6	M8	M6	M8	-	M8	M10	M8	M10	-	M12	M16	M12	M16	M12	M16
Internal threaded anchor FIS E		-	-			M6	M8				M10	M12					
						11x85					15x85						
Perforated sleeve FIS H K		12x50		12x85		16x85			16x130		20x85		20x130		20x200		
Group factors	$\alpha_{g,N \parallel}$	1,3															
	$\alpha_{g,V \parallel}$	1,2															
	$\alpha_{g,N \perp}$	1,3															
	$\alpha_{g,V \perp}$	1,0															

fischer injection system FIS V Plus for masonry

**Performance**  
Vertical perforated brick HLz, T8, dimensions, installation parameters

**Annex C 28**

Appendix 54 / 136



## Vertical perforated brick HLz, T8, EN 771-1:2015

**Table C29.1:** Installation parameters  
(Push through anchorage with perforated sleeve FIS H K)

Anchor rod		M10	M12	M16
Perforated sleeve FIS H K		18x130/200		22x130/200
<b>Anchor rod with perforated sleeve FIS H K</b>				
Max. installation torque	$T_{inst}$	[Nm]	5	
<b>General installation parameters</b>				
Edge distance	$c_{min}$	[mm]	60	
Spacing	$s_{min \parallel}$		80	
	$s_{cr \parallel}$		250	
	$s_{min \perp}$		80	
	$s_{cr \perp}$		250	
<b>Drilling method</b>				
Rotary drilling with carbide drill				

**Table C29.2:** Group factors

Anchor rod		M10	M12	M16
Perforated sleeve FIS H K		18x130/200		22x130/200
Group factors	$\alpha_{g,N \parallel}$	[-]	1,3	
	$\alpha_{g,V \parallel}$		1,2	
	$\alpha_{g,N \perp}$		1,3	
	$\alpha_{g,V \perp}$		1,0	

fischer injection system FIS V Plus for masonry

**Performance**  
Vertical perforated brick HLz, T8, dimensions, installation parameters

**Annex C 29**

Appendix 55 / 136

## Vertical perforated brick HLz, T8, EN 771-1:2015

**Table C30.1:** Characteristic resistance under tension load (Pre-positioned anchorage)

Anchor rod	M6	M8	M6	M8	-	M8	M10	M8	M10	-	M12	M16	M12	M16	M12	M16		
Internal threaded anchor FIS E	-		-		M6	M8	-		-		M10	M12	-		-			
					11x85						15x85							
Perforated sleeve FIS H K	12x50		12x85		16x85			16x130		20x85			20x130		20x200			
<b><math>N_{Rk} = N_{Rk,p} = N_{Rk,b}</math> [kN] depending on the compressive strength <math>f_b</math> (temperature range 50/80°C)</b>																		
compressive strength $f_b$	use category																	
4 N/mm <sup>2</sup>	w/w	w/d	1,2														1,2	
	d/d		1,2														1,5	
6 N/mm <sup>2</sup>	w/w	w/d	1,5														1,5	
	d/d		1,5														1,5	
8 N/mm <sup>2</sup>	w/w	w/d	1,5														2,0	
	d/d		2,0														2,0	

**Table C30.2:** Characteristic resistance under tension load (Push through anchorage)

Anchor rod	M10		M12		M16	
Perforated sleeve FIS H K	18x130/200				22x130/200	
<b><math>N_{Rk} = N_{Rk,p} = N_{Rk,b}</math> [kN] depending on the compressive strength <math>f_b</math> (temperature range 50/80°C)</b>						
compressive strength $f_b$	use category					
4 N/mm <sup>2</sup>	w/w	w/d	1,2			
	d/d		1,5			
6 N/mm <sup>2</sup>	w/w	w/d	1,5			
	d/d		1,5			
8 N/mm <sup>2</sup>	w/w	w/d	2,0			
	d/d		2,0			

Factor for job site tests and displacements see annex C110

Factor for temperature range 72/120°C: 0,83

fischer injection system FIS V Plus for masonry

**Performance**

Vertical perforated brick HLz, T8, Characteristic resistance under tension load

**Annex C 30**

Appendix 56 / 136

# Vertical perforated brick HLz, T8, EN 771-1:2015

**Table C31.1:** Characteristic resistance under shear load (Pre-positioned anchorage)

<b>Anchor rod</b>	M6	M8	M6	M8	-	M8	M10	M8	M10	-	M12	M16	M12	M16	M12	M16
<b>Internal threaded anchor FIS E</b>	-		-		M6	M8	-		-		M10	M12	-		-	
					11x85						15x85					
<b>Perforated sleeve FIS H K</b>	12x50		12x85		16x85			16x130		20x85			20x130		20x200	

$V_{Rk} = V_{Rk,b} = V_{Rk,c}$  [kN] depending on the compressive strength  $f_b$  (temperature range 50/80°C and 72/120°C)

compressive strength $f_b$	use category		
4 N/mm <sup>2</sup>	w/w	w/d	1,2
	d/d		
6 N/mm <sup>2</sup>	w/w	w/d	1,5
	d/d		
8 N/mm <sup>2</sup>	w/w	w/d	1,5
	d/d		

**Table C31.2:** Characteristic resistance under shear load (Push through anchorage)

<b>Anchor rod</b>	M10	M12	M16
<b>Perforated sleeve FIS H K</b>	18x130/200		22x130/200

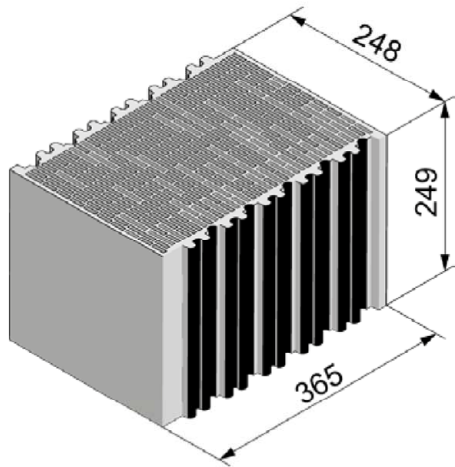
$V_{Rk} = V_{Rk,b} = V_{Rk,c}$  [kN] depending on the compressive strength  $f_b$  (temperature range 50/80°C and 72/120°C)

compressive strength $f_b$	use category		
4 N/mm <sup>2</sup>	w/w	w/d	1,2
	d/d		
6 N/mm <sup>2</sup>	w/w	w/d	1,5
	d/d		
8 N/mm <sup>2</sup>	w/w	w/d	1,5
	d/d		

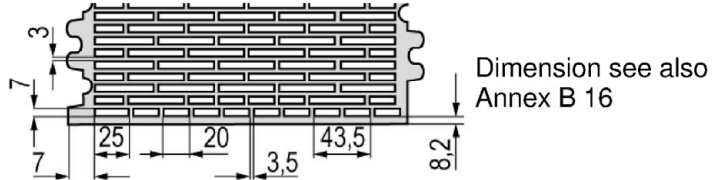
Factor for job site tests and displacements see annex C108

fischer injection system FIS V Plus for masonry	<b>Annex C 31</b>  Appendix 57 / 136
<b>Performance</b> Vertical perforated brick HLz, T8, Characteristic resistance under shear load	

# Vertical perforated brick HLz, T10, T11, EN 771-1:2015



Vertical perforated brick HLz, T10, T11, EN 771-1:2015			
Producer	-		
Nominal dimensions [mm]	length L	width W	height H
	248	365	249
Density $\rho$ [kg/dm <sup>3</sup> ]	0,7		
Compressive strength $f_b$ [N/mm <sup>2</sup> ]	8 / 10 / 12		
Standard or annex	EN 771-1:2015		



**Table C32.1:** Installation parameters  
(Pre-positioned anchorage with perforated sleeve FIS H K)

Anchor rod		M6	M8	M6	M8	-	M8	M10	M8	M10	-	M12	M16	M12	M16	M12	M16
Internal threaded anchor FIS E		-	-			M6	M8				M10	M12					
						11x85					15x85						
Perforated sleeve FIS H K		12x50	12x85	16x85			16x130			20x85			20x130		20x200		
Anchor rod and internal threaded anchor FIS E with perforated sleeve FIS H K																	
Max. installation torque	$T_{inst}$ [Nm]	3			5			3			5						
<b>General installation parameters</b>																	
Edge distance	$C_{min}$	60															
Spacing	$S_{min \parallel}$	80															
	$S_{scr \parallel}$	250															
	$S_{min \perp}$	80															
	$S_{scr \perp}$	250															
<b>Drilling method</b>																	
Rotary drilling with carbide drill																	

**Table C32.2:** Group factors

Anchor rod		M6	M8	M6	M8	-	M8	M10	M8	M10	-	M12	M16	M12	M16	M12	M16
Internal threaded anchor FIS E		-	-			M6	M8				M10	M12					
						11x85					15x85						
Perforated sleeve FIS H K		12x50	12x85	16x85			16x130			20x85			20x130		20x200		
Group factors	$\alpha_{g,N \parallel}$	1,7															
	$\alpha_{g,v \parallel}$	0,5															
	$\alpha_{g,N \perp}$	1,3															
	$\alpha_{g,v \perp}$	0,5															

fischer injection system FIS V Plus for masonry

**Performance**  
Vertical perforated brick HLz, T10, T11, dimensions, installation parameters

**Annex C 32**

Appendix 58 / 136

## Vertical perforated brick HLz, T10, T11, EN 771-1:2015

**Table C33.1:** Installation parameters  
(Push through anchorage with perforated sleeve FIS H K)

Anchor rod		M10	M12	M16
Perforated sleeve FIS H K		18x130/200		22x130/200
<b>Anchor rod with perforated sleeve FIS H K</b>				
Max. installation torque	$T_{inst}$	[Nm]	5	
<b>General installation parameters</b>				
Edge distance	$c_{min}$	[mm]	60	
Spacing	$s_{min \parallel}$		80	
	$s_{cr \parallel}$		250	
	$s_{min \perp}$		80	
	$s_{cr \perp}$		250	
<b>Drilling method</b>				
Rotary drilling with carbide drill				

**Table C33.2:** Group factors

Anchor rod		M10	M12	M16
Perforated sleeve FIS H K		18x130/200		22x130/200
Group factors	$\alpha_{g,N \parallel}$	[-]	1,7	
	$\alpha_{g,V \parallel}$		0,5	
	$\alpha_{g,N \perp}$		1,3	
	$\alpha_{g,V \perp}$		0,5	

fischer injection system FIS V Plus for masonry

**Performance**  
Vertical perforated brick HLz, T10, T11, dimensions, installation parameters

**Annex C 33**

Appendix 59 / 136

## Vertical perforated brick HLz, T10, T11, EN 771-1:2015

**Table C34.1:** Characteristic resistance under tension load (Pre-positioned anchorage)

Anchor rod	M6	M8	M6	M8	-	M8	M10	M8	M10	-	M12	M16	M12	M16	M12	M16		
Internal threaded anchor FIS E	-		-		M6	M8	-		-		M10	M12	-		-			
					11x85						15x85							
Perforated sleeve FIS H K	12x50		12x85		16x85			16x130		20x85			20x130		20x200			
<b><math>N_{Rk} = N_{Rk,p} = N_{Rk,b}</math> [kN] depending on the compressive strength <math>f_b</math> (temperature range 50/80°C)</b>																		
compressive strength $f_b$	use category																	
8 N/mm <sup>2</sup>	w/w	w/d	1,5														1,5	
	d/d		1,5														2,0	
10 N/mm <sup>2</sup>	w/w	w/d	1,5														2,0	
	d/d		2,0														2,0	
12 N/mm <sup>2</sup>	w/w	w/d	2,0														2,0	
	d/d		2,0														2,5	

**Table C34.2:** Characteristic resistance under tension load (Push through anchorage)

Anchor rod	M10		M12		M16	
Perforated sleeve FIS H K	18x130/200				22x130/200	
<b><math>N_{Rk} = N_{Rk,p} = N_{Rk,b}</math> [kN] depending on the compressive strength <math>f_b</math> (temperature range 50/80°C)</b>						
compressive strength $f_b$	use category					
8 N/mm <sup>2</sup>	w/w	w/d	1,5		1,5	
	d/d		2,0		2,0	
10 N/mm <sup>2</sup>	w/w	w/d	2,0		2,0	
	d/d		2,0		2,0	
12 N/mm <sup>2</sup>	w/w	w/d	2,0		2,0	
	d/d		2,5		2,5	

Factor for job site tests and displacements see annex C110

Factor for temperature range 72/120°C: 0,83

fischer injection system FIS V Plus for masonry

### Performance

Vertical perforated brick HLz, T10, T11, Characteristic resistance under tension load

**Annex C 34**

Appendix 60 / 136

## Vertical perforated brick HLz, T10, T11, EN 771-1:2015

**Table C35.1:** Characteristic resistance under shear load (Pre-positioned anchorage)

<b>Anchor rod</b>	M6	M8	M6	M8	-	M8	M10	M8	M10	-	M12	M16	M12	M16	M12	M16
<b>Internal threaded anchor FIS E</b>	-		-		M6	M8	-		-		M10	M12	-		-	
					11x85						15x85					
<b>Perforated sleeve FIS H K</b>	12x50		12x85		16x85			16x130		20x85			20x130		20x200	

$V_{Rk} = V_{Rk,b} = V_{Rk,c}$  [kN] depending on the compressive strength  $f_b$  (temperature range 50/80°C and 72/120°C)

compressive strength $f_b$	use category															
8 N/mm <sup>2</sup>	w/w	w/d	0,9				1,5				2,0					
	d/d															
10 N/mm <sup>2</sup>	w/w	w/d	0,9				1,5				2,0					
	d/d															
12 N/mm <sup>2</sup>	w/w	w/d	1,2				2,0				2,0					
	d/d															

**Table C35.2:** Characteristic resistance under shear load (Push through anchorage)

<b>Anchor rod</b>	M10				M12				M16			
<b>Perforated sleeve FIS H K</b>	18x130/200								22x130/200			

$V_{Rk} = V_{Rk,b} = V_{Rk,c}$  [kN] depending on the compressive strength  $f_b$  (temperature range 50/80°C and 72/120°C)

compressive strength $f_b$	use category															
8 N/mm <sup>2</sup>	w/w	w/d	1,5								2,0					
	d/d															
10 N/mm <sup>2</sup>	w/w	w/d	1,5								2,0					
	d/d															
12 N/mm <sup>2</sup>	w/w	w/d	2,0								2,0					
	d/d															

Factor for job site tests and displacements see annex C110

fischer injection system FIS V Plus for masonry

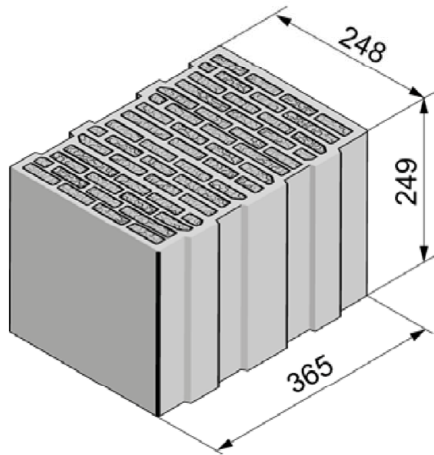
**Performance**

Vertical perforated brick HLz, T10, T11, Characteristic resistance under shear load

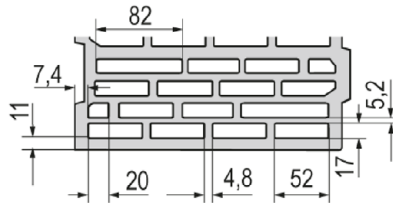
**Annex C 35**

Appendix 61 / 136

# Vertical perforated brick HLz, T7 PF, filled with perlite, EN 771-1:2015



Vertical perforated brick HLz, T7 PF, filled with perlite, EN 771-1:2015			
Producer	-		
Nominal dimensions [mm]	length L	width W	height H
	248	365	249
Density $\rho$ [kg/dm <sup>3</sup> ]	0,5		
Compressive strength $f_b$ [N/mm <sup>2</sup> ]	4 / 6		
Standard or annex	EN 771-1:2015		



Dimension see also Annex B 16

**Table C36.1:** Installation parameters  
(Pre-positioned anchorage with perforated sleeve FIS H K)

Anchor rod	M6	M8	M6	M8	-	M8	M10	M8	M10	-	M12	M16	M12	M16	M12	M16		
Internal threaded anchor FIS E	-	-			M6	M8			-	-	M10	M12			-	-	-	
					11x85						15x85							
Perforated sleeve FIS H K	12x50		12x85		16x85			16x130			20x85			20x130			20x200	

## Ankerstangen und Innengewindeanker FIS E mit Injektionsanker-Hülse FIS H K

Max. installation torque	$T_{inst}$ [Nm]	2				5	2	5					
--------------------------	-----------------	---	--	--	--	---	---	---	--	--	--	--	--

### General installation parameters

Edge distance	$c_{min}$						60				
Spacing	$s_{min \parallel}$						80				
	$s_{cr \parallel}$	[mm]					250				
	$s_{min \perp}$						80				
	$s_{cr \perp}$						250				

### Drilling method

Rotary drilling with carbide drill

**Table C36.2:** Group factors

Anchor rod	M6	M8	M6	M8	-	M8	M10	M8	M10	-	M12	M16	M12	M16	M12	M16		
Internal threaded anchor FIS E	-	-			M6	M8			-	-	M10	M12			-	-	-	
					11x85						15x85							
Perforated sleeve FIS H K	12x50		12x85		16x85			16x130			20x85			20x130			20x200	

Group factors	$\alpha_{g,N \parallel}$	[-]	1,1													
	$\alpha_{g,V \parallel}$		1,2													
	$\alpha_{g,N \perp}$		1,1													
	$\alpha_{g,V \perp}$		1,2													

fischer injection system FIS V Plus for masonry

### Performance

Vertical perforated brick HLz, T7 PF, filled with perlite, dimensions, installation parameters

**Annex C 36**

Appendix 62 / 136



## Vertical perforated brick HLz, T7 PF, filled with perlite, EN 771-1:2015

**Table C37.1:** Installation parameters  
(Push through anchorage with perforated sleeve FIS H K)

Anchor rod		M10	M12	M16
Perforated sleeve FIS H K		18x130/200		22x130/200
<b>Anchor rod with perforated sleeve FIS H K</b>				
Max. installation torque	$T_{inst}$	[Nm]	5	
<b>General installation parameters</b>				
Edge distance	$c_{min}$	[mm]	60	
Spacing	$s_{min \parallel}$		80	
	$s_{cr \parallel}$		250	
	$s_{min \perp}$		80	
	$s_{cr \perp}$		250	
<b>Drilling method</b>				
Rotary drilling with carbide drill				

**Table C37.2:** Group factors

Anchor rod		M10	M12	M16
Perforated sleeve FIS H K		18x130/200		22x130/200
Group factors	$\alpha_{g,N \parallel}$	[-]	1,1	
	$\alpha_{g,V \parallel}$		1,2	
	$\alpha_{g,N \perp}$		1,1	
	$\alpha_{g,V \perp}$		1,2	

fischer injection system FIS V Plus for masonry

### Performance

Vertical perforated brick HLz, T7 PF, filled with perlite, dimensions, installation parameters

**Annex C 37**

Appendix 63 / 136

## Vertical perforated brick HLz, T7 PF, filled with perlite, EN 771-1:2015

**Table C38.1:** Characteristic resistance under tension load (Pre-positioned anchorage)

Anchor rod	M6	M8	M6	M8	-	M8	M10	M8	M10	-	M12	M16	M12	M16	M12	M16
Internal threaded anchor FIS E	-		-		M6	M8	-		-		M10	M12	-		-	
					11x85						15x85					
Perforated sleeve FIS H K	12x50		12x85		16x85			16x130		20x85			20x130		20x200	
<b><math>N_{Rk} = N_{Rk,p} = N_{Rk,b}</math> [kN] depending on the compressive strength <math>f_b</math> (temperature range 50/80°C)</b>																
compressive strength $f_b$	use category															
4 N/mm <sup>2</sup>	w/w	w/d	1,2				1,2		1,2			1,2		2,0		
	d/d		1,5				1,5		1,5			1,5		2,0		
6 N/mm <sup>2</sup>	w/w	w/d	1,5				1,5		1,5			1,5		2,5		
	d/d		1,5				2,0		1,5			2,0		3,0		

**Table C38.2:** Characteristic resistance under tension load (Push through anchorage)

Anchor rod	M10		M12		M16	
Perforated sleeve FIS H K	18x130/200				22x130/200	
<b><math>N_{Rk} = N_{Rk,p} = N_{Rk,b}</math> [kN] depending on the compressive strength <math>f_b</math> (temperature range 50/80°C)</b>						
compressive strength $f_b$	use category					
4 N/mm <sup>2</sup>	w/w	w/d	1,2		1,2	
	d/d		1,5		1,5	
6 N/mm <sup>2</sup>	w/w	w/d	1,5		1,5	
	d/d		2,0		2,0	

Factor for job site tests and displacements see annex C110

Factor for temperature range 72/120°C: 0,83

fischer injection system FIS V Plus for masonry

### Performance

Vertical perforated brick HLz, T7 PF, filled with perlite,  
Characteristic resistance under tension load

**Annex C 38**

Appendix 64 / 136

**Vertical perforated brick HLz, T7 PF, filled with perlite, EN 771-1:2015**

**Table C39.1:** Characteristic resistance under shear load (Pre-positioned anchorage)

<b>Anchor rod</b>	M6	M8	M6	M8	-	M8	M10	M8	M10	-	M12	M16	M12	M16	M12	M16
<b>Internal threaded anchor FIS E</b>	-		-		M6	M8	-		-		M10	M12	-		-	
					11x85						15x85					
<b>Perforated sleeve FIS H K</b>	12x50		12x85		16x85			16x130		20x85			20x130		20x200	

$V_{Rk} = V_{Rk,b} = V_{Rk,c}$  [kN] depending on the compressive strength  $f_b$  (temperature range 50/80°C and 72/120°C)

compressive strength $f_b$	use category															
4 N/mm <sup>2</sup>	w/w	w/d	0,9	1,5						1,2						
	d/d															
6 N/mm <sup>2</sup>	w/w	w/d	1,2	2,0						1,5						
	d/d															

**Table C39.2:** Characteristic resistance under shear load (Push through anchorage)

<b>Anchor rod</b>	M10			M12			M16					
<b>Perforated sleeve FIS H K</b>	18x130/200						22x130/200					

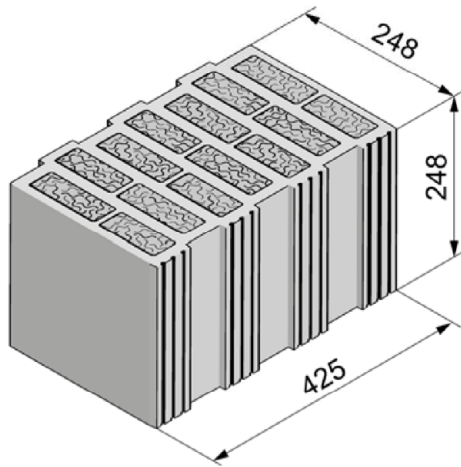
$V_{Rk} = V_{Rk,b} = V_{Rk,c}$  [kN] depending on the compressive strength  $f_b$  (temperature range 50/80°C and 72/120°C)

compressive strength $f_b$	use category															
4 N/mm <sup>2</sup>	w/w	w/d	1,5						1,2							
	d/d															
6 N/mm <sup>2</sup>	w/w	w/d	2,0						1,5							
	d/d															

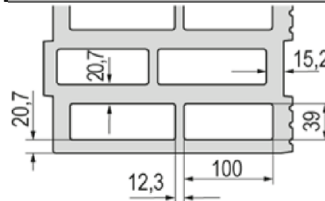
Factor for job site tests and displacements see annex C110

fischer injection system FIS V Plus for masonry	<b>Annex C 39</b> Appendix 65 / 136
<b>Performance</b> Vertical perforated brick HLz, T7 PF, filled with perlite, Characteristic resistance under shear load	

# Vertical perforated brick HLz, S9 MW, filled with mineral wool, EN 771-1:2015



Vertical perforated brick HLz, S9 MW, filled with mineral wool, EN 771-1:2015			
Producer	-		
Nominal dimensions [mm]	length L	width W	height H
	248	425	248
Density $\rho$ [kg/dm <sup>3</sup> ]	0,8		
Compressive strength $f_b$ [N/mm <sup>2</sup> ]	4 / 6 / 8		
Standard or annex	EN 771-1:2015		



Dimension see also Annex B 16

**Table C40.1:** Installation parameters  
(Pre-positioned anchorage with perforated sleeve FIS H K)

Anchor rod		M6	M8	M6	M8	-	M8	M10	M8	M10	-	M12	M16	M12	M16	M12	M16	
Internal threaded anchor FIS E		-	-			M6	M8				M10	M12						
						11x85					15x85							
Perforated sleeve FIS H K		12x50		12x85		16x85			16x130		20x85		20x130		20x200			
Anchor rod and internal threaded anchor FIS E with perforated sleeve FIS H K																		
Max. installation torque	$T_{inst}$ [Nm]	3					5		3		5							
<b>General installation parameters</b>																		
Edge distance	$c_{min}$	60																
	$s_{min} \parallel$	80																
	$s_{cr} \parallel$ [mm]	250																
	$s_{min} \perp$	80																
	$s_{cr} \perp$	250																
<b>Drilling method</b>																		
Rotary drilling with carbide drill																		

**Table C40.2:** Group factors

Anchor rod		M6	M8	M6	M8	-	M8	M10	M8	M10	-	M12	M16	M12	M16	M12	M16
Internal threaded anchor FIS E		-	-			M6	M8				M10	M12					
						11x85					15x85						
Perforated sleeve FIS H K		12x50		12x85		16x85			16x130		20x85		20x130		20x200		
Group factors	$\alpha_{g,N} \parallel$	1,3															
	$\alpha_{g,V} \parallel$	1,2															
	$\alpha_{g,N} \perp$	0,6															
	$\alpha_{g,V} \perp$	1,2															

fischer injection system FIS V Plus for masonry

**Performance**

Vertical perforated brick HLz, S9 MW, filled with mineral wool, dimensions, installation parameters

**Annex C 40**

Appendix 66 / 136

**Vertical perforated brick HLz, S9 MW, filled with mineral wool, EN 771-1:2015**

**Table C41.1: Installation parameters**  
(Push through anchorage with perforated sleeve FIS H K)

Anchor rod		M10	M12	M16
Perforated sleeve FIS H K		18x130/200		22x130/200
<b>Anchor rod with perforated sleeve FIS H K</b>				
Max. installation torque	$T_{inst}$	[Nm]	5	
<b>General installation parameters</b>				
Edge distance	$c_{min}$	[mm]	60	
Spacing	$s_{min \parallel}$		80	
	$s_{cr \parallel}$		250	
	$s_{min \perp}$		80	
	$s_{cr \perp}$		250	
<b>Drilling method</b>				
Rotary drilling with carbide drill				

**Table C41.2: Group factors**

Anchor rod		M10	M12	M16
Perforated sleeve FIS H K		18x130/200		22x130/200
Group factors	$\alpha_{g,N \parallel}$	[-]	1,3	
	$\alpha_{g,V \parallel}$		1,2	
	$\alpha_{g,N \perp}$		0,6	
	$\alpha_{g,V \perp}$		1,2	

**Vertical perforated brick HLz, S9 MW, filled with mineral wool, EN 771-1:2015**

**Table C42.1: Characteristic resistance under tension load (Pre-positioned anchorage)**

Anchor rod	M6	M8	M6	M8	-	M8	M10	M8	M10	-	M12	M16	M12	M16	M12	M16
Internal threaded anchor FIS E	-		-		M6	M8	-		-		M10	M12	-		-	
					11x85						15x85					
Perforated sleeve FIS H K	12x50		12x85		16x85			16x130		20x85			20x130		20x200	
<b><math>N_{Rk} = N_{Rk,p} = N_{Rk,b}</math> [kN] depending on the compressive strength <math>f_b</math> (temperature range 50/80°C)</b>																
compressive strength $f_b$	use category															
4 N/mm <sup>2</sup>	w/w	w/d	1,5		2,0			3,0		2,5			4,0			
	d/d		2,0		2,5			3,0		2,5			4,5			
6 N/mm <sup>2</sup>	w/w	w/d	2,0		2,5			3,5		3,0			5,0			
	d/d		2,0		3,0			4,0		3,0			5,5			
8 N/mm <sup>2</sup>	w/w	w/d	2,5		3,0			4,0		3,5			6,0			
	d/d		2,5		3,0			4,5		3,5			6,5			

**Table C42.2: Characteristic resistance under tension load (Push through anchorage)**

Anchor rod	M10		M12		M16	
Perforated sleeve FIS H K	18x130/200				22x130/200	
<b><math>N_{Rk} = N_{Rk,p} = N_{Rk,b}</math> [kN] depending on the compressive strength <math>f_b</math> (temperature range 50/80°C)</b>						
compressive strength $f_b$	use category					
4 N/mm <sup>2</sup>	w/w	w/d	3,0		4,0	
	d/d		3,0		4,5	
6 N/mm <sup>2</sup>	w/w	w/d	3,5		5,0	
	d/d		4,0		5,5	
8 N/mm <sup>2</sup>	w/w	w/d	4,0		6,0	
	d/d		4,5		6,5	

Factor for job site tests and displacements see annex C110

Factor for temperature range 72/120°C: 0,83

fischer injection system FIS V Plus for masonry

**Performance**

Vertical perforated brick HLz, S9 MW, filled with mineral wool;  
Characteristic resistance under tension load

**Annex C 42**

Appendix 68 / 136

**Vertical perforated brick HLz, S9 MW, filled with mineral wool, EN 771-1:2015**

**Table C43.1: Characteristic resistance under shear load (Pre-positioned anchorage)**

<b>Anchor rod</b>	<b>M6</b>	<b>M8</b>	<b>M6</b>	<b>M8</b>	-	<b>M8</b>	<b>M10</b>	<b>M8</b>	<b>M10</b>	-	<b>M12</b>	<b>M16</b>	<b>M12</b>	<b>M16</b>	<b>M12</b>	<b>M16</b>
<b>Internal threaded anchor FIS E</b>	-		-		<b>M6</b>	<b>M8</b>	-		-		<b>M10</b>	<b>M12</b>	-		-	
					<b>11x85</b>						<b>15x85</b>					
<b>Perforated sleeve FIS H K</b>	<b>12x50</b>		<b>12x85</b>		<b>16x85</b>			<b>16x130</b>		<b>20x85</b>			<b>20x130</b>		<b>20x200</b>	

**$V_{Rk} = V_{Rk,b} = V_{Rk,c}$  [kN] depending on the compressive strength  $f_b$  (temperature range 50/80°C and 72/120°C)**

compressive strength $f_b$	use category																
	<b>4 N/mm<sup>2</sup></b>	w/w	w/d	2,0	2,0						2,5		2,0				1,5
d/d		2,5						3,0		2,5				2,0			
<b>6 N/mm<sup>2</sup></b>	w/w	w/d	2,5	2,5						3,0		2,5				2,0	
	d/d			3,0						4,0		3,0				2,5	
<b>8 N/mm<sup>2</sup></b>	w/w	w/d	2,5	3,0						4,0		3,0				2,5	
	d/d			4,0													

**Table C43.2: Characteristic resistance under shear load (Push through anchorage)**

<b>Anchor rod</b>	<b>M10</b>		<b>M12</b>		<b>M16</b>			
<b>Perforated sleeve FIS H K</b>	<b>18x130/200</b>				<b>22x130/200</b>			

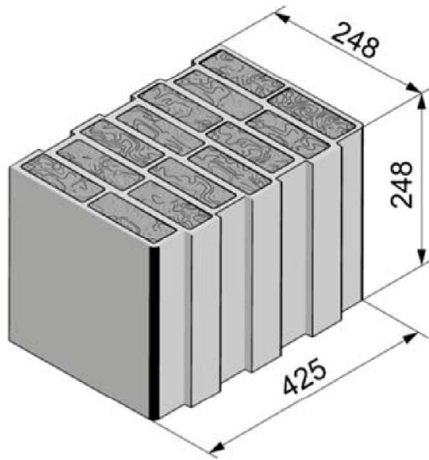
**$V_{Rk} = V_{Rk,b} = V_{Rk,c}$  [kN] depending on the compressive strength  $f_b$  (temperature range 50/80°C and 72/120°C)**

compressive strength $f_b$	use category															
	<b>4 N/mm<sup>2</sup></b>	w/w	w/d	2,5						2,0						
d/d		3,0						2,5								
<b>6 N/mm<sup>2</sup></b>	w/w	w/d	4,0						3,0							
	d/d															

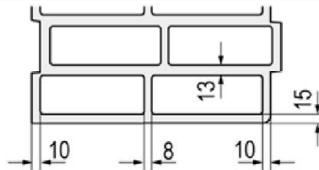
Factor for job site tests and displacements see annex C110

fischer injection system FIS V Plus for masonry	<b>Annex C 43</b> Appendix 69 / 136
<b>Performance</b> Vertical perforated brick HLz, S9 MW, filled with mineral wool; Characteristic resistance under shear load	

## Vertical perforated brick HLz, T7 MW, filled with mineral wool, EN 771-1:2015



Vertical perforated brick HLz, T7 MW, filled with mineral wool, EN 771-1:2015			
Producer	-		
Nominal dimensions [mm]	length L	width W	height H
	248	425	248
Density $\rho$ [kg/dm <sup>3</sup> ]	0,6		
Compressive strength $f_b$ [N/mm <sup>2</sup> ]	4 / 6 / 8		
Standard or annex	EN 771-1:2015		



Dimension see also Annex B 16

**Table C44.1:** Installation parameters  
(Pre-positioned anchorage with perforated sleeve FIS H K)

Anchor rod		M6	M8	M6	M8	-	M8	M10	M8	M10	-	M12	M16	M12	M16	M12	M16
Internal threaded anchor FIS E		-	-			M6	M8				M10	M12					
						11x85					15x85						
Perforated sleeve FIS H K		12x50	12x85	16x85			16x130			20x85			20x130		20x200		
Anchor rod and internal threaded anchor FIS E with perforated sleeve FIS H K																	
Max. installation torque	$T_{inst}$ [Nm]	2					5		2		5						
<b>General installation parameters</b>																	
Edge distance	$c_{min}$											60					
Spacing	$s_{min \parallel}$											80					
	$s_{scr \parallel}$											250					
	$s_{min \perp}$											80					
	$s_{scr \perp}$											250					
<b>Drilling method</b>																	
Rotary drilling with carbide drill																	

**Table C44.2:** Group factors

Anchor rod		M6	M8	M6	M8	-	M8	M10	M8	M10	-	M12	M16	M12	M16	M12	M16
Internal threaded anchor FIS E		-	-			M6	M8				M10	M12					
						11x85					15x85						
Perforated sleeve FIS H K		12x50	12x85	16x85			16x130			20x85			20x130		20x200		
Group factors	$\alpha_{g,N \parallel}$											1,9					
	$\alpha_{g,V \parallel}$											0,9					
	$\alpha_{g,N \perp}$											1,0					
	$\alpha_{g,V \perp}$											0,7					

fischer injection system FIS V Plus for masonry

### Performance

Vertical perforated brick HLz, T7 MW, filled with mineral wool;  
dimensions, installation parameters

**Annex C 44**

Appendix 70 / 136



## Vertical perforated brick HLz, T7 MW, filled with mineral wool, EN 771-1:2015

**Table C45.1:** Installation parameters  
(Push through anchorage with perforated sleeve FIS H K)

Anchor rod		M10	M12	M16
Perforated sleeve FIS H K		18x130/200		22x130/200
<b>Anchor rod with perforated sleeve FIS H K</b>				
Max. installation torque	$T_{inst}$	[Nm]	5	
<b>General installation parameters</b>				
Edge distance	$c_{min}$	[mm]	60	
Spacing	$s_{min \parallel}$		80	
	$s_{cr \parallel}$		250	
	$s_{min \perp}$		80	
	$s_{cr \perp}$		250	
<b>Drilling method</b>				
Rotary drilling with carbide drill				

**Table C45.2:** Group factors

Anchor rod		M10	M12	M16
Perforated sleeve FIS H K		18x130/200		22x130/200
Group factors	$\alpha_{g,N \parallel}$	[-]	1,9	
	$\alpha_{g,V \parallel}$		0,9	
	$\alpha_{g,N \perp}$		1,0	
	$\alpha_{g,V \perp}$		0,7	

fischer injection system FIS V Plus for masonry

**Performance**

Vertical perforated brick HLz, T7 MW, filled with mineral wool;  
dimensions, installation parameters

**Annex C 45**

Appendix 71 / 136

**Vertical perforated brick HLz, T7 MW, filled with mineral wool, EN 771-1:2015**

**Table C46.1: Characteristic resistance under tension load (Pre-positioned anchorage)**

Anchor rod	M6	M8	M6	M8	-	M8	M10	M8	M10	-	M12	M16	M12	M16	M12	M16
Internal threaded anchor FIS E	-		-		M6	M8	-		-		M10	M12	-		-	
					11x85						15x85					
Perforated sleeve FIS H K	12x50		12x85		16x85			16x130		20x85			20x130		20x200	
<b><math>N_{Rk} = N_{Rk,p} = N_{Rk,b}</math> [kN] depending on the compressive strength <math>f_b</math> (temperature range 50/80°C)</b>																
compressive strength $f_b$	use category															
4 N/mm <sup>2</sup>	w/w	w/d	0,6	0,75	1,5			2,0		1,2			2,0		2,0	
	d/d		0,6	0,9	1,5			2,0		1,5			2,0		2,5	
6 N/mm <sup>2</sup>	w/w	w/d	0,75	0,9	1,5			2,0		1,5			2,5		2,5	
	d/d		0,9	0,9	2,0			2,5		2,0			2,5		3,0	
8 N/mm <sup>2</sup>	w/w	w/d	0,9	1,2	2,0			2,5		2,0			2,5		3,0	
	d/d		0,9	1,2	2,0			3,0		2,0			3,0		3,5	

**Table C46.2: Characteristic resistance under tension load (Push through anchorage)**

Anchor rod	M10		M12		M16			
Perforated sleeve FIS H K	18x130/200				22x130/200			
<b><math>N_{Rk} = N_{Rk,p} = N_{Rk,b}</math> [kN] depending on the compressive strength <math>f_b</math> (temperature range 50/80°C)</b>								
compressive strength $f_b$	use category							
4 N/mm <sup>2</sup>	w/w	w/d	2,0			2,0		
	d/d		2,0			2,0		
6 N/mm <sup>2</sup>	w/w	w/d	2,0			2,5		
	d/d		2,5			2,5		
8 N/mm <sup>2</sup>	w/w	w/d	2,5			2,5		
	d/d		3,0			3,0		

Factor for job site tests and displacements see annex C110

Factor for temperature range 72/120°C: 0,83

fischer injection system FIS V Plus for masonry

**Performance**  
Vertical perforated brick HLz, T7 MW, filled with mineral wool;  
Characteristic resistance under tension load

**Annex C 46**

Appendix 72 / 136

**Vertical perforated brick HLz, T7 MW, filled with mineral wool, EN 771-1:2015**

**Table C47.1: Characteristic resistance under shear load (Pre-positioned anchorage)**

<b>Anchor rod</b>	<b>M6</b>	<b>M8</b>	<b>M6</b>	<b>M8</b>	-	<b>M8</b>	<b>M10</b>	<b>M8</b>	<b>M10</b>	-	<b>M12</b>	<b>M16</b>	<b>M12</b>	<b>M16</b>	<b>M12</b>	<b>M16</b>
<b>Internal threaded anchor FIS E</b>	-	-	-	-	<b>M6</b>	<b>M8</b>	-	-	<b>M10</b>	<b>M12</b>	-	-	-	-	-	-
					<b>11x85</b>				<b>15x85</b>							
<b>Perforated sleeve FIS H K</b>	<b>12x50</b>		<b>12x85</b>		<b>16x85</b>			<b>16x130</b>		<b>20x85</b>			<b>20x130</b>		<b>20x200</b>	

**$V_{Rk} = V_{Rk,b} = V_{Rk,c}$  [kN] depending on the compressive strength  $f_b$  (temperature range 50/80°C and 72/120°C)**

<b>compressive strength <math>f_b</math></b>	<b>use category</b>																
<b>4 N/mm<sup>2</sup></b>	<b>w/w</b>	<b>w/d</b>	1,2							1,5							1,5
	<b>d/d</b>																
<b>6 N/mm<sup>2</sup></b>	<b>w/w</b>	<b>w/d</b>	1,5							2,0							1,5
	<b>d/d</b>																
<b>8 N/mm<sup>2</sup></b>	<b>w/w</b>	<b>w/d</b>	1,5							2,5							2,0
	<b>d/d</b>																

**Table C47.2: Characteristic resistance under shear load (Push through anchorage)**

<b>Anchor rod</b>	<b>M10</b>		<b>M12</b>		<b>M16</b>			
<b>Perforated sleeve FIS H K</b>	<b>18x130/200</b>				<b>22x130/200</b>			

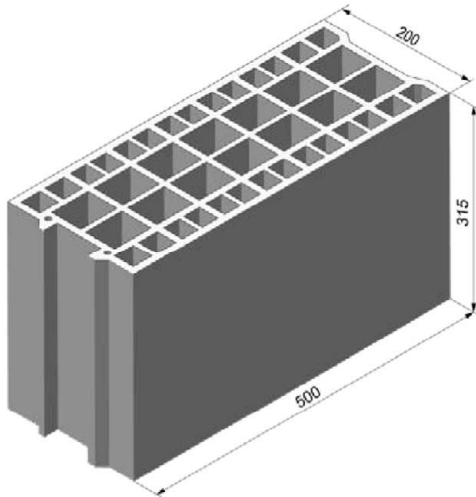
**$V_{Rk} = V_{Rk,b} = V_{Rk,c}$  [kN] depending on the compressive strength  $f_b$  (temperature range 50/80°C and 72/120°C)**

<b>compressive strength <math>f_b</math></b>	<b>use category</b>															
<b>4 N/mm<sup>2</sup></b>	<b>w/w</b>	<b>w/d</b>							1,5							
	<b>d/d</b>															
<b>6 N/mm<sup>2</sup></b>	<b>w/w</b>	<b>w/d</b>							2,0							
	<b>d/d</b>															
<b>8 N/mm<sup>2</sup></b>	<b>w/w</b>	<b>w/d</b>							2,5							
	<b>d/d</b>															

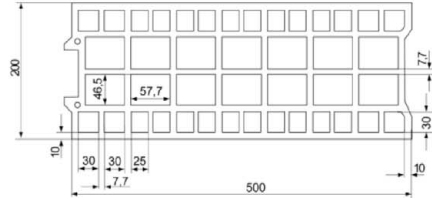
Factor for job site tests and displacements see annex C110

fischer injection system FIS V Plus for masonry		<b>Annex C 47</b>  Appendix 73 / 136
<b>Performance</b> Vertical perforated brick HLz, T7 MW, filled with mineral wool; Characteristic resistance under shear load		

## Vertical perforated brick HLz, EN 771-1:2015



Vertical perforated brick HLz, EN 771-1:2015			
Producer	e.g. Bouyer Leroux		
Nominal dimensions [mm]	length L	width W	height H
	500	200	315
Density $\rho$ [kg/dm <sup>3</sup> ]	≥ 0,6		
Compressive strength $f_b$ [N/mm <sup>2</sup> ]	4 / 6 / 8		
Standard or annex	EN 771-1:2015		



Dimension see also Annex B 16

**Table C48.1:** Installation parameters  
(Pre-positioned anchorage with perforated sleeve FIS H K)

Anchor rod	M6	M8	M6	M8	-	M8	M10	M8	M10	-	M12	M16	M12	M16
Internal threaded anchor FIS E	-	-	M6 M8		-		-		M10 M12		-		-	
			11x85						15x85					
Perforated sleeve FIS H K	12x50		12x85		16x85			16x130		20x85			20x130	
Anchor rod and internal threaded anchor FIS E with perforated sleeve FIS H K														
Max. installation torque	$T_{inst}$	[Nm]	2											
General installation parameters														
Edge distance	$C_{min}$	[mm]	120											
Spacing	$S_{min \parallel}$		120											
	$S_{scr \parallel}$		500											
	$S_{min \perp} = S_{scr \perp}$		315											
Drilling method														
Hammer drilling with hard metal hammer drill														

**Table C48.2:** Group factors

Anchor rod	M6	M8	M6	M8	-	M8	M10	M8	M10	-	M12	M16	M12	M16
Internal threaded anchor FIS E	-	-	M6 M8		-		-		M10 M12		-		-	
			11x85						15x85					
Perforated sleeve FIS H K	12x50		12x85		16x85			16x130		20x85			20x130	
Group factors	$\alpha_{g,N \parallel}$	[-]	1,3											
	$\alpha_{g,v \parallel}$		1,7											
	$\alpha_{g,N \perp} = \alpha_{g,v \perp}$		2											

fischer injection system FIS V Plus for masonry

**Performance**  
Vertical perforated brick HLz, dimensions, installation parameters

**Annex C 48**

Appendix 74 / 136

## Vertical perforated brick HLz, EN 771-1:2015

**Table C49.1:** Installation parameters  
(Push through anchorage with perforated sleeve FIS H K)

Anchor rod		M10	M12	M16
Perforated sleeve FIS H K		18x130/200		22x130/200
<b>Anchor rod with perforated sleeve FIS H K</b>				
Max. installation torque	$T_{inst}$	[Nm]	2	
<b>General installation parameters</b>				
Edge distance	$c_{min}$	[mm]	120	
Spacing	$s_{min \parallel}$		120	
	$s_{cr \parallel}$		500	
	$s_{min \perp} = s_{cr \perp}$		315	
<b>Drilling method</b>				
Hammer drilling with hard metal hammer drill				

**Table C49.2:** Group factors

Anchor rod		M10	M12	M16
Perforated sleeve FIS H K		18x130/200		22x130/200
Group factors	$\alpha_{g,N \parallel}$	[-]	1,3	
	$\alpha_{g,V \parallel}$		1,7	
	$\alpha_{g,N \perp} = \alpha_{g,V \perp}$		2	

fischer injection system FIS V Plus for masonry

**Performance**  
Vertical perforated brick HLz, dimensions, installation parameters

**Annex C 49**

Appendix 75 / 136

## Vertical perforated brick HLz, EN 771-1:2015

**Table C50.1:** Characteristic resistance under tension load (Pre-positioned anchorage)

Anchor rod	M6	M8	M6	M8	-	M8	M10	M8	M10	-	M12	M16	M12	M16	
Internal threaded anchor FIS E	-		-		M6	M8	-		-		M10	M12	-		
					11x85						15x85				
Perforated sleeve FIS H K	12x50		12x85		16x85			16x130		20x85			20x130		
<b><math>N_{Rk} = N_{Rk,p} = N_{Rk,b}</math> [kN] depending on the compressive strength <math>f_b</math> (temperature range 50/80°C)</b>															
compressive strength $f_b$	use category														
4 N/mm <sup>2</sup>	w/w	w/d	0,5			1,5			0,75		1,5			1,5	
	d/d		0,6			1,5			0,9		1,5			2,0	
6 N/mm <sup>2</sup>	w/w	w/d	0,75			2,0			1,2		2,0			2,5	
	d/d		0,9			2,5			1,2		2,5			2,5	
8 N/mm <sup>2</sup>	w/w	w/d	0,9			3,0			1,5		3,0			3,5	
	d/d		1,2			3,0			2,0		3,0			3,5	

**Table C50.2:** Characteristic resistance under tension load (Push through anchorage)

Anchor rod	M10		M12		M16	
Perforated sleeve FIS H K	18x130/200				22x130/200	
<b><math>N_{Rk} = N_{Rk,p} = N_{Rk,b}</math> [kN] depending on the compressive strength <math>f_b</math> (temperature range 50/80°C)</b>						
compressive strength $f_b$	use category					
4 N/mm <sup>2</sup>	w/w	w/d	0,75		1,5	
	d/d		0,9		2,0	
6 N/mm <sup>2</sup>	w/w	w/d	1,2		2,5	
	d/d		1,2		2,5	
8 N/mm <sup>2</sup>	w/w	w/d	1,5		3,5	
	d/d		2,0		3,5	

Factor for job site tests and displacements see annex C110

Factor for temperature range 72/120°C: 0,83

fischer injection system FIS V Plus for masonry

### Performance

Vertical perforated brick HLz, Characteristic resistance under tension load

**Annex C 50**

Appendix 76 / 136

## Vertical perforated brick HLz, EN 771-1:2015

**Table C51.1:** Characteristic resistance under shear load (Pre-positioned anchorage)

Anchor rod	M6	M8	M6	M8	-	M8	M10	M8	M10	-	M12	M16	M12	M16
Internal threaded anchor FIS E	-		-		M6	M8	-		-		M10	M12	-	
					11x85						15x85			
Perforated sleeve FIS H K	12x50		12x85		16x85			16x130		20x85			20x130	

$V_{Rk} = V_{Rk,b} = V_{Rk,c}$  [kN] depending on the compressive strength  $f_b$  (temperature range 50/80°C and 72/120°C)

compressive strength $f_b$	use category													
	4 N/mm <sup>2</sup>	w/w	w/d	1,5						0,9	1,5		2,5	0,9
d/d														
6 N/mm <sup>2</sup>	w/w	w/d	2,5						1,5	2,5		3,5	1,5	
	d/d													
8 N/mm <sup>2</sup>	w/w	w/d	3,5						2,0	3,5		4,5	2,0	
	d/d													

**Table C51.2:** Characteristic resistance under shear load (Push through anchorage)

Anchor rod	M10	M12	M16
Perforated sleeve FIS H K	18x130/200		22x130/200

$V_{Rk} = V_{Rk,b} = V_{Rk,c}$  [kN] depending on the compressive strength  $f_b$  (temperature range 50/80°C and 72/120°C)

compressive strength $f_b$	use category													
	4 N/mm <sup>2</sup>	w/w	w/d	0,9										
d/d														
6 N/mm <sup>2</sup>	w/w	w/d	1,5											
	d/d													
8 N/mm <sup>2</sup>	w/w	w/d	2,0											
	d/d													

Factor for job site tests and displacements see annex C110

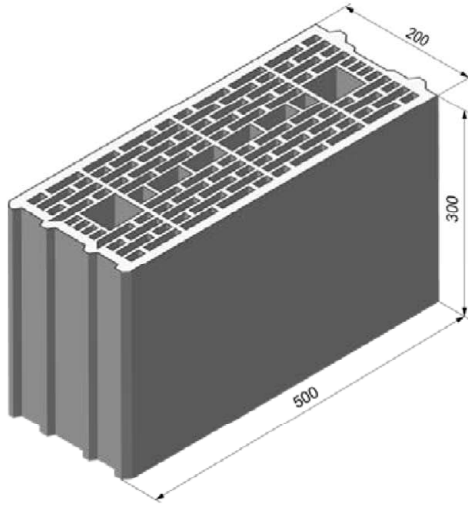
fischer injection system FIS V Plus for masonry

**Performance**  
Vertical perforated brick HLz, Characteristic resistance under shear load

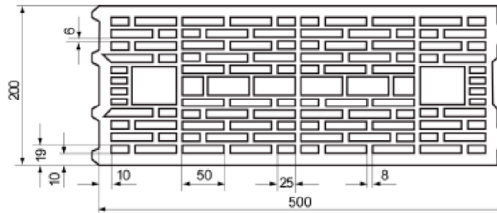
**Annex C 51**

Appendix 77 / 136

## Vertical perforated brick HLz, EN 771-1:2015



Vertical perforated brick HLz, EN 771-1:2015			
Producer	e.g. Wienerberger		
Nominal dimensions [mm]	length L	width W	height H
	500	200	300
Density $\rho$ [kg/dm <sup>3</sup> ]	$\geq 0,7$		
Compressive strength $f_b$ [N/mm <sup>2</sup> ]	4 / 6 / 8 / 10		
Standard or annex	EN 771-1:2015		



**Table C52.1:** Installation parameters  
(Pre-positioned anchorage with perforated sleeve FIS H K)

Anchor rod	M6	M8	M6	M8	-	M8	M10	M8	M10	-	M12	M16	M12	M16
Internal threaded anchor FIS E	-	-	-	-	M6	M8	-	-	-	M10	M12	-	-	-
					11x85					15x85				
Perforated sleeve FIS H K	12x50		12x85		16x85			16x130		20x85			20x130	
Anchor rod and internal threaded anchor FIS E with perforated sleeve FIS H K														
Max. installation torque $T_{inst}$ [Nm]	2													
General installation parameters														
Edge distance $C_{min}$	50				80				50	80				
Spacing	$S_{min \parallel}$	100												
	$S_{cr \parallel}$	500												
	$S_{min \perp} = S_{cr \perp}$	300												
Drilling method														
Hammer drilling with hard metal hammer drill														

**Table C52.2:** Group factors

Anchor rod	M6	M8	M6	M8	-	M8	M10	M8	M10	-	M12	M16	M12	M16
Internal threaded anchor FIS E	-	-	-	-	M6	M8	-	-	-	M10	M12	-	-	-
					11x85					15x85				
Perforated sleeve FIS H K	12x50		12x85		16x85			16x130		20x85			20x130	
Group factors	$\alpha_{g,N \parallel}$	1,4												
	$\alpha_{g,v \parallel}$	2												
	$\alpha_{g,N \perp} = \alpha_{g,v \perp}$													

fischer injection system FIS V Plus for masonry

**Performance**  
Vertical perforated brick HLz, dimensions, installation parameters

**Annex C 52**

Appendix 78 / 136



## Vertical perforated brick HLz, EN 771-1:2015

**Table C53.1:** Installation parameters  
(Push through anchorage with perforated sleeve FIS H K)

Anchor rod		M10	M12	M16
Perforated sleeve FIS H K		18x130/200		22x130/200
<b>Anchor rod with perforated sleeve FIS H K</b>				
Max. installation torque	$T_{inst}$	[Nm]	2	
<b>General installation parameters</b>				
Edge distance	$c_{min}$	[mm]	80	
Spacing	$s_{min \parallel}$		100	
	$s_{cr \parallel}$		500	
	$s_{min \perp} = s_{cr \perp}$		300	
<b>Drilling method</b>				
Hammer drilling with hard metal hammer drill				

**Table C53.2:** Group factors

Anchor rod		M10	M12	M16
Perforated sleeve FIS H K		18x130/200		22x130/200
Group factors	$\alpha_{g,N \parallel}$	[-]	1,4	
	$\alpha_{g,V \parallel}$		2	
	$\alpha_{g,N \perp} = \alpha_{g,V \perp}$			

fischer injection system FIS V Plus for masonry

**Performance**  
Vertical perforated brick HLz, dimensions, installation parameters

**Annex C 53**

Appendix 79 / 136

## Vertical perforated brick HLz, EN 771-1:2015

**Table C54.1:** Characteristic resistance under tension load (Pre-positioned anchorage)

Anchor rod	M6	M8	M6	M8	-	M8	M10	M8	M10	-	M12	M16	M12	M16
Internal threaded anchor FIS E	-		-		M6	M8	-		-		M10	M12	-	
					11x85						15x85			
Perforated sleeve FIS H K	12x50		12x85		16x85			16x130		20x85			20x130	
<b><math>N_{Rk} = N_{Rk,p} = N_{Rk,b}</math> [kN] depending on the compressive strength <math>f_b</math> (temperature range 50/80°C)</b>														
compressive strength $f_b$	use category													
	w/w	w/d												
4 N/mm <sup>2</sup>	w/w	w/d	0,5			0,6		1,2		0,75		1,5		
	d/d		0,6			0,75		1,2		0,9		1,5		
6 N/mm <sup>2</sup>	w/w	w/d	0,75			0,9		1,5		1,2		2,0		
	d/d		0,9			1,2		2,0		1,2		2,5		
8 N/mm <sup>2</sup>	w/w	w/d	0,9			1,2		2,0		1,5		2,5		
	d/d		1,2			1,5		2,5		1,5		3,0		
10 N/mm <sup>2</sup>	w/w	w/d	1,2			1,5		2,5		2,0		3,5		
	d/d		1,5			2,0		3,0		2,0		4,0		

**Table C54.2:** Characteristic resistance under tension load (Push through anchorage)

Anchor rod	M10		M12		M16	
Perforated sleeve FIS H K	18x130/200				22x130/200	
<b><math>N_{Rk} = N_{Rk,p} = N_{Rk,b}</math> [kN] depending on the compressive strength <math>f_b</math> (temperature range 50/80°C)</b>						
compressive strength $f_b$	use category					
	w/w	w/d				
4 N/mm <sup>2</sup>	w/w	w/d	1,2		1,5	
	d/d		1,2		1,5	
6 N/mm <sup>2</sup>	w/w	w/d	1,5		2,0	
	d/d		2,0		2,5	
8 N/mm <sup>2</sup>	w/w	w/d	2,0		2,5	
	d/d		2,5		3,0	
10 N/mm <sup>2</sup>	w/w	w/d	2,5		3,5	
	d/d		3,0		4,0	

Factor for job site tests and displacements see annex C110

Factor for temperature range 72/120°C: 0,83

fischer injection system FIS V Plus for masonry

### Performance

Vertical perforated brick HLz, Characteristic resistance under tension load

**Annex C 54**

Appendix 80 / 136

## Vertical perforated brick HLz, EN 771-1:2015

**Table C55.1:** Characteristic resistance under shear load (Pre-positioned anchorage)

Anchor rod	M6	M8	M6	M8	-	M8	M10	M8	M10	-	M12	M16	M12	M16
Internal threaded anchor FIS E	-		-		M6	M8	-		-		M10	M12	-	
					11x85						15x85			
Perforated sleeve FIS H K	12x50		12x85		16x85			16x130		20x85			20x130	
<b><math>V_{Rk} = V_{Rk,b} = V_{Rk,c}</math> [kN] depending on the compressive strength <math>f_b</math> (temperature range 50/80°C and 72/120°C)</b>														
compressive strength $f_b$	use category													
4 N/mm <sup>2</sup>	w/w	w/d	0,9	1,2	0,9	1,2	0,6	2,0	0,6					
	d/d													
6 N/mm <sup>2</sup>	w/w	w/d	1,2	1,5	1,2	1,5	0,9	3,0	0,9					
	d/d													
8 N/mm <sup>2</sup>	w/w	w/d	1,5	2,0	1,5	2,0	1,2	4,0	1,2					
	d/d													
10 N/mm <sup>2</sup>	w/w	w/d	2,0	3,0	2,0	3,0	1,5	5,0	1,5					
	d/d													

**Table C55.2:** Characteristic resistance under shear load (Push through anchorage)

Anchor rod	M10		M12		M16	
Perforated sleeve FIS H K	18x130/200				22x130/200	
<b><math>V_{Rk} = V_{Rk,b} = V_{Rk,c}</math> [kN] depending on the compressive strength <math>f_b</math> (temperature range 50/80°C and 72/120°C)</b>						
compressive strength $f_b$	use category					
4 N/mm <sup>2</sup>	w/w	w/d	0,6			
	d/d					
6 N/mm <sup>2</sup>	w/w	w/d	0,9			
	d/d					
8 N/mm <sup>2</sup>	w/w	w/d	1,2			
	d/d					
10 N/mm <sup>2</sup>	w/w	w/d	1,5			
	d/d					

Factor for job site tests and displacements see annex C110

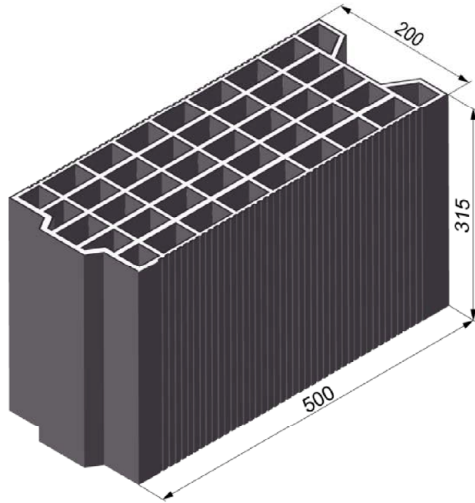
fischer injection system FIS V Plus for masonry

**Performance**  
Vertical perforated brick HLz, Characteristic resistance under shear load

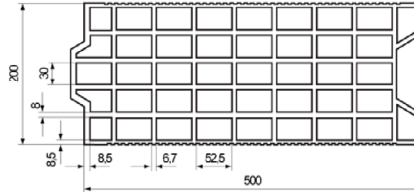
**Annex C 55**

Appendix 81 / 136

## Vertical perforated brick HLz, EN 771-1:2015



Vertical perforated brick HLz, EN 771-1:2015			
Producer	e.g. Terreal		
Nominal dimensions [mm]	length L	width W	height H
	500	200	315
Density $\rho$ [kg/dm <sup>3</sup> ]	≥ 0,7		
Compressive strength $f_b$ [N/mm <sup>2</sup> ]	2 / 4 / 6 / 8		
Standard or annex	EN 771-1:2015		



Dimension see also Annex B 17

**Table C56.1:** Installation parameters  
(Pre-positioned anchorage with perforated sleeve FIS H K)

Anchor rod		M6	M8	M6	M8	-	M8	M10	M8	M10	-	M12	M16	M12	M16
Internal threaded anchor FIS E		-	-			M6	M8				M10	M12			
						11x85					15x85				
Perforated sleeve FIS H K		12x50	12x85	16x85			16x130			20x85			20x130		
Anchor rod and internal threaded anchor FIS E with perforated sleeve FIS H K															
Max. installation torque	$T_{inst}$ [Nm]	2													
General installation parameters															
Edge distance	$c_{min}$	50					80			50			80		
Spacing	$s_{min \parallel}$						100								
	$s_{cr \parallel}$						500								
	$s_{min \perp}$						100								
	$s_{cr \perp}$						315								
Drilling method															
Hammer drilling with hard metal hammer drill															

**Table C56.2:** Group factors

Anchor rod		M6	M8	M6	M8	-	M8	M10	M8	M10	-	M12	M16	M12	M16
Internal threaded anchor FIS E		-	-			M6	M8				M10	M12			
						11x85					15x85				
Perforated sleeve FIS H K		12x50	12x85	16x85			16x130			20x85			20x130		
Group factors	$\alpha_{g,N \parallel}$						1,1								
	$\alpha_{g,V \parallel}$						1,2								
	$\alpha_{g,N \perp}$						1,1								
	$\alpha_{g,V \perp}$						1,2								

fischer injection system FIS V Plus for masonry

**Performance**  
Vertical perforated brick HLz, dimensions, installation parameters

**Annex C 56**

Appendix 82 / 136

## Vertical perforated brick HLz, EN 771-1:2015

**Table C57.1:** Installation parameters  
(Push through anchorage with perforated sleeve FIS H K)

Anchor rod		M10	M12	M16
Perforated sleeve FIS H K		18x130/200		22x130/200
<b>Anchor rod with perforated sleeve FIS H K</b>				
Max. installation torque	$T_{inst}$	[Nm]	2	
<b>General installation parameters</b>				
Edge distance	$c_{min}$	[mm]	80	
Spacing	$s_{min \parallel}$		100	
	$s_{cr \parallel}$		500	
	$s_{min \perp}$		100	
	$s_{cr \perp}$		315	
<b>Drilling method</b>				
Hammer drilling with hard metal hammer drill				

**Table C57.2:** Group factors

Anchor rod		M10	M12	M16
Perforated sleeve FIS H K		18x130/200		22x130/200
Group factors	$\alpha_{g,N \parallel}$	[-]	1,1	
	$\alpha_{g,V \parallel}$		1,2	
	$\alpha_{g,N \perp}$		1,1	
	$\alpha_{g,V \perp}$		1,2	

fischer injection system FIS V Plus for masonry

**Performance**  
Vertical perforated brick HLz, dimensions, installation parameters

**Annex C 57**

Appendix 83 / 136

## Vertical perforated brick HLz, EN 771-1:2015

**Table C58.1:** Characteristic resistance under tension load (Pre-positioned anchorage)

Anchor rod	M6	M8	M6	M8	-	M8	M10	M8	M10	-	M12	M16	M12	M16
Internal threaded anchor FIS E	-		-		M6	M8	-		-		M10	M12	-	
					11x85						15x85			
Perforated sleeve FIS H K	12x50		12x85		16x85			16x130		20x85			20x130	
<b><math>N_{Rk} = N_{Rk,p} = N_{Rk,b}</math> [kN] depending on the compressive strength <math>f_b</math> (temperature range 50/80°C)</b>														
compressive strength $f_b$	use category													
2 N/mm <sup>2</sup>	w/w	w/d	0,5											
	d/d		0,5			0,6		0,5			0,6			
4 N/mm <sup>2</sup>	w/w	w/d	0,9											
	d/d		0,9			1,2								
6 N/mm <sup>2</sup>	w/w	w/d	1,5											
	d/d		1,5											
8 N/mm <sup>2</sup>	w/w	w/d	2,0											
	d/d		2,0											

**Table C58.2:** Characteristic resistance under tension load (Push through anchorage)

Anchor rod	M10		M12		M16	
Perforated sleeve FIS H K	18x130/200				22x130/200	
<b><math>N_{Rk} = N_{Rk,p} = N_{Rk,b}</math> [kN] depending on the compressive strength <math>f_b</math> (temperature range 50/80°C)</b>						
compressive strength $f_b$	use category					
2 N/mm <sup>2</sup>	w/w	w/d	0,5			
	d/d		0,6			
4 N/mm <sup>2</sup>	w/w	w/d	0,9			
	d/d		1,2			
6 N/mm <sup>2</sup>	w/w	w/d	1,5			
	d/d		1,5			
8 N/mm <sup>2</sup>	w/w	w/d	2,0			
	d/d		2,0			

Factor for job site tests and displacements see annex C110

Factor for temperature range 72/120°C: 0,83

fischer injection system FIS V Plus for masonry

### Performance

Vertical perforated brick HLz, Characteristic resistance under tension load

**Annex C 58**

Appendix 84 / 136

## Vertical perforated brick HLz, EN 771-1:2015

**Table C59.1:** Characteristic resistance under shear load (Pre-positioned anchorage)

Anchor rod	M6	M8	M6	M8	-	M8	M10	M8	M10	-	M12	M16	M12	M16
Internal threaded anchor FIS E	-		-		M6	M8	-		-		M10	M12	-	
					11x85						15x85			
Perforated sleeve FIS H K	12x50		12x85		16x85			16x130		20x85			20x130	
<b><math>V_{Rk} = V_{Rk,b} = V_{Rk,c}</math> [kN] depending on the compressive strength <math>f_b</math> (temperature range 50/80°C and 72/120°C)</b>														
compressive strength $f_b$	use category													
2 N/mm <sup>2</sup>	w/w	w/d	0,3	0,6	0,3	0,6	0,6	0,6	0,9	0,75				
	d/d													
4 N/mm <sup>2</sup>	w/w	w/d	0,75	1,2	0,75	1,2	1,2	1,2	2,0	1,5				
	d/d													
6 N/mm <sup>2</sup>	w/w	w/d	0,9	2,0	0,9	2,0	1,5	1,5	3,0	2,0				
	d/d													
8 N/mm <sup>2</sup>	w/w	w/d	1,5	2,5	1,5	2,5	2,0	2,0	4,0	3,0				
	d/d													

**Table C59.2:** Characteristic resistance under shear load (Push through anchorage)

Anchor rod	M10				M12				M16			
Perforated sleeve FIS H K	18x130/200								22x130/200			
<b><math>V_{Rk} = V_{Rk,b} = V_{Rk,c}</math> [kN] depending on the compressive strength <math>f_b</math> (temperature range 50/80°C and 72/120°C)</b>												
compressive strength $f_b$	use category											
2 N/mm <sup>2</sup>	w/w	w/d	0,6				0,75					
	d/d											
4 N/mm <sup>2</sup>	w/w	w/d	1,2				1,5					
	d/d											
6 N/mm <sup>2</sup>	w/w	w/d	1,5				2,0					
	d/d											
8 N/mm <sup>2</sup>	w/w	w/d	2,0				3,0					
	d/d											

Factor for job site tests and displacements see annex C110

fischer injection system FIS V Plus for masonry

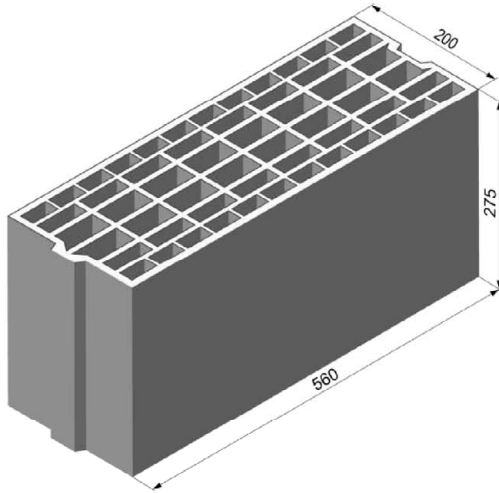
**Performance**

Vertical perforated brick HLz, Characteristic resistance under shear load

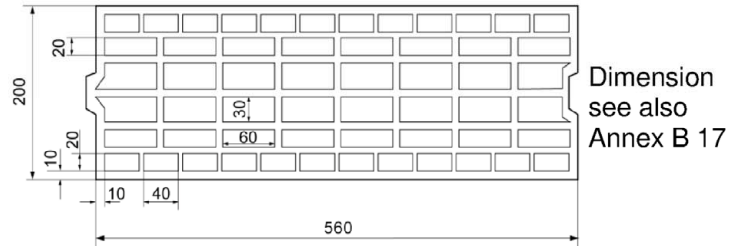
**Annex C 59**

Appendix 85 / 136

## Vertical perforated brick HLz, EN 771-1:2015



Vertical perforated brick HLz, EN 771-1:2015			
Producer	e.g. Imery		
Nominal dimensions [mm]	length L	width W	height H
	560	200	275
Density $\rho$ [kg/dm <sup>3</sup> ]	$\geq 0,7$		
Compressive strength $f_b$ [N/mm <sup>2</sup> ]	4 / 6 / 8		
Standard or annex	EN 771-1:2015		



**Table C60.1:** Installation parameters

Anchor rod	M8	M10	M10	M12	M12	M16	M16
Perforated sleeve FIS H K	16x130		18x130/200		20x130		22x130/200
<b>Anchor rod with perforated sleeve FIS H K</b>							
Max. installation torque $T_{inst}$ [Nm]	2						
<b>General installation parameters</b>							
Edge distance $c_{min}$	80						
Spacing $s_{min}$	$s_{min} \parallel = s_{cr} \parallel$	560					
	$s_{min} \perp = s_{cr} \perp$	275					
<b>Drilling method</b>							
Hammer drilling with hard metal hammer drill							

**Table C60.2:** Group factors

Anchor rod	M8	M10	M10	M12	M12	M16	M16
Perforated sleeve FIS H K	16x130		18x130/200		20x130		22x130/200
Group factors $\alpha_{g,N}$ [-]	$\alpha_{g,N} \parallel$	2					
	$\alpha_{g,N} \perp$						
	$\alpha_{g,V} \parallel$						
	$\alpha_{g,V} \perp$						

fischer injection system FIS V Plus for masonry

**Performance**  
Vertical perforated brick HLz, dimensions, installation parameters

**Annex C 60**

Appendix 86 / 136



## Vertical perforated brick HLz, EN 771-1:2015

**Table C61.1:** Characteristic resistance under tension load

Anchor rod	M8	M10	M10	M12	M12	M16	M16	
Perforated sleeve FIS H K	16x130		18x130/200		20x130		22x130/200	
<b><math>N_{Rk} = N_{Rk,p} = N_{Rk,b}</math> [kN] depending on the compressive strength <math>f_b</math> (temperature range 50/80°C)</b>								
compressive strength $f_b$	use category							
4 N/mm <sup>2</sup>	w/w	w/d	0,9		1,2			
	d/d		1,2		1,5			
6 N/mm <sup>2</sup>	w/w	w/d	1,5		2,0			
	d/d		1,5		2,0			
8 N/mm <sup>2</sup>	w/w	w/d	2,0		2,5			
	d/d		2,5		3,0			

Factor for temperature range 72/120°C: 0,83

**Table C61.2:** Characteristic resistance under shear load

Anchor rod	M8	M10	M10	M12	M12	M16	M16	
Perforated sleeve FIS H K	16x130		18x130/200		20x130		22x130/200	
<b><math>V_{Rk} = V_{Rk,b} = V_{Rk,c}</math> [kN] depending on the compressive strength <math>f_b</math> (temperature range 50/80°C and 72/120°C)</b>								
compressive strength $f_b$	use category							
4 N/mm <sup>2</sup>	w/w	w/d	0,9					
	d/d							
6 N/mm <sup>2</sup>	w/w	w/d	1,5					
	d/d							
8 N/mm <sup>2</sup>	w/w	w/d	2,0					
	d/d							

Factor for job site tests and displacements see annex C110

fischer injection system FIS V Plus for masonry

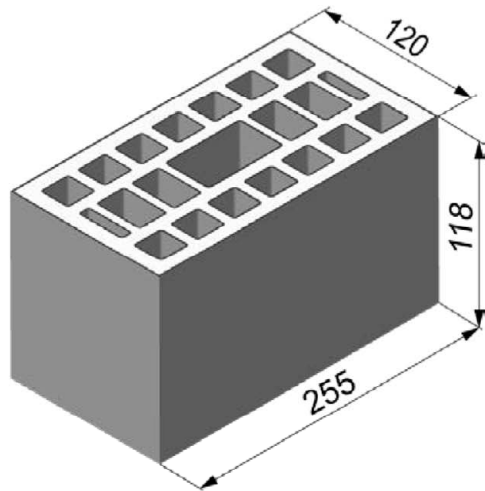
**Performance**

Vertical perforated brick HLz, Characteristic resistance under tension and shear load

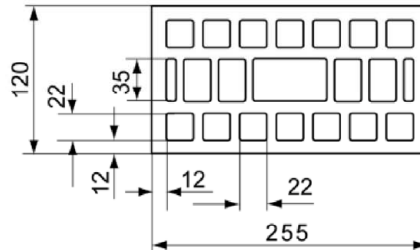
**Annex C 61**

Appendix 87 / 136

## Vertical perforated brick HLz, EN 771-1:2015



Vertical perforated brick HLz, EN 771-1:2015			
Producer	e.g. Wienerberger		
Nominal dimensions [mm]	length L	width W	height H
	255	120	118
Density $\rho$ [kg/dm <sup>3</sup> ]	≥ 1,0		
Compressive strength $f_b$ [N/mm <sup>2</sup> ]	2 / 4 / 6 / 8 / 10 / 12		
Standard or annex	EN 771-1:2015		



Dimension see also Annex B 18

**Table C62.1:** Installation parameters

Anchor rod	M6	M8	M6	M8	-	M8	M10	-	M12	M16	
Internal threaded anchor FIS E	-		-		M6	M8	-		M10	M12	-
					11x85				15x85		
Perforated sleeve FIS H K	12x50		12x85		16x85			20x85			
<b>Anchor rod and internal threaded anchor FIS E with perforated sleeve FIS H K</b>											
Max. installation torque $T_{inst}$ [Nm]	2										
<b>General installation parameters</b>											
Edge distance $C_{min}$	60										
Spacing	$S_{scr \parallel} = S_{min \parallel}$ [mm]										
	255										
	$S_{scr \perp} = S_{min \perp}$										
120											
<b>Drilling method</b>											
Hammer drilling with hard metal hammer drill											

**Table C62.2:** Group factors

Anchor rod	M6	M8	M6	M8	-	M8	M10	-	M12	M16	
Internal threaded anchor FIS E	-		-		M6	M8	-		M10	M12	-
					11x85				15x85		
Perforated sleeve FIS H K	12x50		12x85		16x85			20x85			
Group factors	$\alpha_{g,N \parallel}$										
	$\alpha_{g,v \parallel}$										
	$\alpha_{g,N \perp}$										
	$\alpha_{g,v \perp}$										
[-]											
2											

fischer injection system FIS V Plus for masonry

**Performance**  
Vertical perforated brick HLz, dimensions, installation parameters

**Annex C 62**

Appendix 88 / 136

# Vertical perforated brick HLz, EN 771-1:2015

**Table C63.1:** Characteristic resistance under tension load

Anchor rod	M6	M8	M6	M8	-	M8	M10	-	M12	M16	
Internal threaded anchor FIS E	-		-		M6	M8	-		M10	M12	-
					11x85				15x85		
Perforated sleeve FIS H K	12x50		12x85		16x85			20x85			
$N_{Rk} = N_{Rk,p} = N_{Rk,b}$ [kN] depending on the compressive strength $f_b$ (temperature range 50/80°C)											
compressive strength $f_b$	use category										
2 N/mm <sup>2</sup>	w/w	w/d	0,4	0,5		- <sup>1)</sup>					
	d/d		0,5	0,5		- <sup>1)</sup>					
4 N/mm <sup>2</sup>	w/w	w/d	0,9	0,9		0,5					
	d/d		0,9	1,2		0,5					
6 N/mm <sup>2</sup>	w/w	w/d	1,2	1,5		0,75					
	d/d		1,5	1,5		0,75					
8 N/mm <sup>2</sup>	w/w	w/d	1,5	2,0		0,9					
	d/d		2,0	2,0		0,9					
10 N/mm <sup>2</sup>	w/w	w/d	2,0	2,5		1,2					
	d/d		2,5	2,5		1,2					
12 N/mm <sup>2</sup>	w/w	w/d	2,5	3,0		1,5					
	d/d		3,0	3,5		1,5					

<sup>1)</sup> No performance assesses

Factor for job site tests and displacements see annex C110

Factor for temperature range 72/120°C: 0,83

fischer injection system FIS V Plus for masonry

**Performance**

Vertical perforated brick HLz, Characteristic resistance under tension load

**Annex C 63**

Appendix 89 / 136

# Vertical perforated brick HLz, EN 771-1:2015

**Table C64.1:** Characteristic resistance under shear load

Anchor rod	M6	M8	M6	M8	-	M8	M10	-	M12	M16	
Internal threaded anchor FIS E	-		-		M6	M8	-		M10	M12	-
					11x85				15x85		
Perforated sleeve FIS H K	12x50		12x85		16x85			20x85			
<b><math>V_{Rk} = V_{Rk,b} = V_{Rk,c}</math> [kN] depending on the compressive strength <math>f_b</math> (temperature range 50/80°C and 72/120°C)</b>											
compressive strength $f_b$	use category										
2 N/mm <sup>2</sup>	w/w	w/d	0,6	0,75	0,6	0,75	0,9				
	d/d										
4 N/mm <sup>2</sup>	w/w	w/d	1,2	1,5	1,2	1,5	2,0				
	d/d										
6 N/mm <sup>2</sup>	w/w	w/d	2,0	2,0	2,0	2,0	2,5				
	d/d										
8 N/mm <sup>2</sup>	w/w	w/d	2,5	3,0	2,5	3,0	3,5				
	d/d										
10 N/mm <sup>2</sup>	w/w	w/d	3,0	3,5	3,0	3,5	4,5				
	d/d										
12 N/mm <sup>2</sup>	w/w	w/d	4,0	4,5	4,0	4,5	5,5				
	d/d										

Factor for job site tests and displacements see annex C110

fischer injection system FIS V Plus for masonry

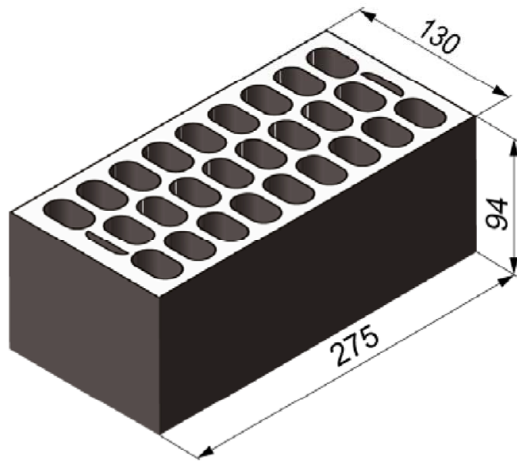
**Performance**

Vertical perforated brick HLz, Characteristic resistance under shear load

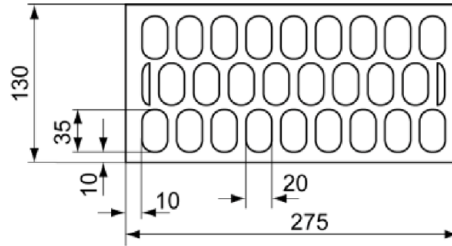
**Annex C 64**

Appendix 90 / 136

## Vertical perforated brick HLz, EN 771-1:2015



Vertical perforated brick HLz, EN 771-1:2015			
Producer	e.g. Ceramica Farreny S.A.		
Nominal dimensions [mm]	length L	width W	height H
	275	130	94
Density $\rho$ [kg/dm <sup>3</sup> ]	≥ 0,8		
Compressive strength $f_b$ [N/mm <sup>2</sup> ]	6 / 8 / 12 / 16 / 20		
Standard or annex	EN 771-1:2015		



**Table C65.1:** Installation parameters

Anchor rod	M6	M8	M6	M8	-	M8	M10	-	M12	M16	
Internal threaded anchor FIS E	-		-		M6	M8	-		M10	M12	-
					11x85				15x85		
Perforated sleeve FIS H K	12x50		12x85		16x85			20x85			
<b>Anchor rod and internal threaded anchor FIS E with perforated sleeve FIS H K</b>											
Max. installation torque $T_{inst}$ [Nm]	2										
<b>General installation parameters</b>											
Edge distance $C_{min}$ [mm]	100						120				
Spacing [mm]	$s_{cr \parallel} = s_{min \parallel}$		275								
	$s_{cr \perp} = s_{min \perp}$		95								
<b>Drilling method</b>											
Hammer drilling with hard metal hammer drill											

**Table C65.2:** Group factors

Anchor rod	M6	M8	M6	M8	-	M8	M10	-	M12	M16	
Internal threaded anchor FIS E	-		-		M6	M8	-		M10	M12	-
					11x85				15x85		
Perforated sleeve FIS H K	12x50		12x85		16x85			20x85			
Group factors [-]	$\alpha_{g,N \parallel}$	2									
	$\alpha_{g,v \parallel}$										
	$\alpha_{g,N \perp}$										
	$\alpha_{g,v \perp}$										

fischer injection system FIS V Plus for masonry

**Performance**  
Vertical perforated brick HLz, dimensions, installation parameters

**Annex C 65**

Appendix 91 / 136

## Vertical perforated brick HLz, EN 771-1:2015

**Table C66.1:** Characteristic resistance under tension load

Anchor rod	M6	M8	M6	M8	-	M8	M10	-	M12	M16	
Internal threaded anchor FIS E	-		-		M6	M8	-		M10	M12	-
					11x85				15x85		
Perforated sleeve FIS H K	12x50		12x85		16x85			20x85			
<b><math>N_{Rk} = N_{Rk,p} = N_{Rk,b}</math> [kN] depending on the compressive strength <math>f_b</math> (temperature range 50/80°C)</b>											
compressive strength $f_b$	use category										
6 N/mm <sup>2</sup>	w/w	w/d	0,4		0,9						
	d/d		0,4		0,9						
8 N/mm <sup>2</sup>	w/w	w/d	0,5		1,2						
	d/d		0,6		1,2						
12 N/mm <sup>2</sup>	w/w	w/d	0,75		1,5						
	d/d		0,9		2,0						
16 N/mm <sup>2</sup>	w/w	w/d	0,9		2,0						
	d/d		1,2		2,5						
20 N/mm <sup>2</sup>	w/w	w/d	1,2		3,0						
	d/d		1,5		3,0						

Factor for temperature range 72/120°C: 0,83

**Table C66.2:** Characteristic resistance under shear load

Anchor rod	M6	M8	M6	M8	-	M8	M10	-	M12	M16	
Internal threaded anchor FIS E	-		-		M6	M8	-		M10	M12	-
					11x85				15x85		
Perforated sleeve FIS H K	12x50		12x85		16x85			20x85			
<b><math>V_{Rk} = V_{Rk,b} = V_{Rk,c}</math> [kN] depending on the compressive strength <math>f_b</math> (temperature range 50/80°C and 72/120°C)</b>											
compressive strength $f_b$	use category										
6 N/mm <sup>2</sup>	w/w	w/d	1,2		1,2						
	d/d		1,2		1,2						
8 N/mm <sup>2</sup>	w/w	w/d	1,5		1,5						
	d/d		1,5		1,5						
12 N/mm <sup>2</sup>	w/w	w/d	2,0		2,5						
	d/d		2,0		2,5						
16 N/mm <sup>2</sup>	w/w	w/d	3,0		3,0						
	d/d		3,0		3,0						
20 N/mm <sup>2</sup>	w/w	w/d	4,0		4,0						
	d/d		4,0		4,0						

Factor for job site tests and displacements see annex C110

fischer injection system FIS V Plus for masonry

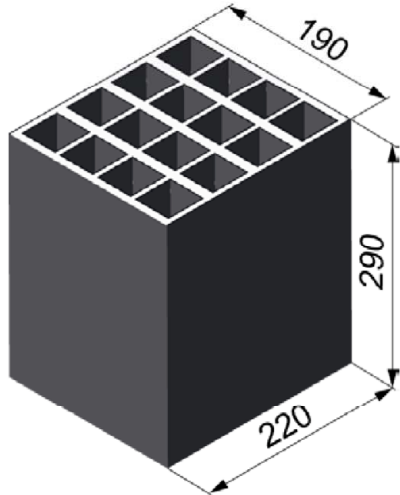
### Performance

Vertical perforated brick HLz, Characteristic resistance under tension and shear load

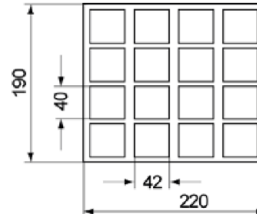
**Annex C 66**

Appendix 92 / 136

## Vertical perforated brick HLz, EN 771-1:2015



Vertical perforated brick HLz, EN 771-1:2015			
Producer	e.g. Perceram		
Nominal dimensions [mm]	length L	width W	height H
	220	190	290
Density $\rho$ [kg/dm <sup>3</sup> ]	$\geq 0,7$		
Compressive strength $f_b$ [N/mm <sup>2</sup> ]	6 / 8 / 10		
Standard or annex	EN 771-1:2015		



Dimension see also Annex B 18

**Table C67.1:** Installation parameters  
(Pre-positioned anchorage with perforated sleeve FIS H K)

Anchor rod	M6	M8	M6	M8	-	M8	M10	M8	M10	-	M12	M16	M12	M16
Internal threaded anchor FIS E	-	-	M6 M8		-		-		M10 M12		-		-	
			11x85						15x85					
Perforated sleeve FIS H K	12x50		12x85		16x85			16x130		20x85			20x130	
<b>Anchor rod and internal threaded anchor FIS E with perforated sleeve FIS H K</b>														
Max. installation torque $T_{inst}$ [Nm]	2													
<b>General installation parameters</b>														
Edge distance $c_{min}$	110													
Spacing	$s_{min \parallel} = s_{cr \parallel}$ [mm]		220											
	$s_{min \perp} = s_{cr \perp}$		290											
<b>Drilling method</b>														
Hammer drilling with hard metal hammer drill														

**Table C67.2:** Group factors

Anchor rod	M6	M8	M6	M8	-	M8	M10	M8	M10	-	M12	M16	M12	M16
Internal threaded anchor FIS E	-	-	M6 M8		-		-		M10 M12		-		-	
			11x85						15x85					
Perforated sleeve FIS H K	12x50		12x85		16x85			16x130		20x85			20x130	
Group factors	$\alpha_{g,N \parallel}$	[-]	2											
	$\alpha_{g,v \parallel}$													
	$\alpha_{g,N \perp}$													
	$\alpha_{g,v \perp}$													

fischer injection system FIS V Plus for masonry

**Performance**  
Vertical perforated brick HLz, dimensions, installation parameters

**Annex C 67**

Appendix 93 / 136

## Vertical perforated brick HLz, EN 771-1:2015

**Table C68.1:** Installation parameters  
(Push through anchorage with perforated sleeve FIS H K)

Anchor rod		M10	M12	M16
Perforated sleeve FIS H K		18x130/200		22x130/200
<b>Anchor rod with perforated sleeve FIS H K</b>				
Max. installation torque	$T_{inst}$	[Nm]	2	
<b>General installation parameters</b>				
Edge distance	$c_{min}$	[mm]	110	
Spacing	$s_{min \parallel} = s_{cr \parallel}$		220	
	$s_{min \perp} = s_{cr \perp}$		290	
<b>Drilling method</b>				
Hammer drilling with hard metal hammer drill				

**Table C68.2:** Group factors

Anchor rod		M10	M12	M16
Perforated sleeve FIS H K		18x130/200		22x130/200
Group factors	$\alpha_{g,N \parallel}$	[-]	2	
	$\alpha_{g,v \parallel}$			
	$\alpha_{g,N \perp}$			
	$\alpha_{g,v \perp}$			

fischer injection system FIS V Plus for masonry

**Performance**  
Vertical perforated brick HLz, dimensions, installation parameters

**Annex C 68**

Appendix 94 / 136



## Vertical perforated brick HLz, EN 771-1:2015

**Table C69.1:** Characteristic resistance under tension load (Pre-positioned anchorage)

Anchor rod	M6	M8	M6	M8	-	M8	M10	M8	M10	-	M12	M16	M12	M16
Internal threaded anchor FIS E	-		-		M6	M8	-		-		M10	M12	-	
					11x85						15x85			
Perforated sleeve FIS H K	12x50		12x85		16x85			16x130		20x85			20x130	
<b><math>N_{Rk} = N_{Rk,p} = N_{Rk,b}</math> [kN] depending on the compressive strength <math>f_b</math> (temperature range 50/80°C)</b>														
compressive strength $f_b$	use category													
6 N/mm <sup>2</sup>	w/w	w/d	0,3	1,2	1,2			1,5		1,2			1,5	
	d/d		0,4	1,5	1,5			1,5		1,5			1,5	
8 N/mm <sup>2</sup>	w/w	w/d	0,5	1,5	1,5			2,0		1,5			2,0	
	d/d		0,5	2,0	2,0			2,5		2,0			2,5	
10 N/mm <sup>2</sup>	w/w	w/d	0,6	2,0	2,0			2,5		2,0			2,5	
	d/d		0,6	2,5	2,5			3,0		2,5			3,0	

**Table C69.2:** Characteristic resistance under tension load (Push through anchorage)

Anchor rod	M10		M12		M16	
Perforated sleeve FIS H K	18x130/200				22x130/200	
<b><math>N_{Rk} = N_{Rk,p} = N_{Rk,b}</math> [kN] depending on the compressive strength <math>f_b</math> (temperature range 50/80°C)</b>						
compressive strength $f_b$	use category					
6 N/mm <sup>2</sup>	w/w	w/d	1,5			
	d/d		1,5			
8 N/mm <sup>2</sup>	w/w	w/d	2,0			
	d/d		2,5			
10 N/mm <sup>2</sup>	w/w	w/d	2,5			
	d/d		3,0			

Factor for job site tests and displacements see annex C110

Factor for temperature range 72/120°C: 0,83

fischer injection system FIS V Plus for masonry

**Performance**

Vertical perforated brick HLz, Characteristic resistance under tension load

**Annex C 69**

Appendix 95 / 136

## Vertical perforated brick HLz, EN 771-1:2015

**Table C70.1:** Characteristic resistance under shear load (Pre-positioned anchorage)

Anchor rod	M6	M8	M6	M8	-	M8	M10	M8	M10	-	M12	M16	M12	M16
Internal threaded anchor FIS E	-		-		M6	M8	-		-		M10	M12	-	
					11x85						15x85			
Perforated sleeve FIS H K	12x50		12x85		16x85			16x130		20x85			20x130	
<b><math>V_{Rk} = V_{Rk,b} = V_{Rk,c}</math> [kN] depending on the compressive strength <math>f_b</math> (temperature range 50/80°C and 72/120°C)</b>														
compressive strength $f_b$	use category													
6 N/mm <sup>2</sup>	w/w	w/d	1,5	1,5	1,5	2,5	1,5	2,0						
	d/d													
8 N/mm <sup>2</sup>	w/w	w/d	2,0	2,0	2,0	3,5	2,0	3,0						
	d/d													
10 N/mm <sup>2</sup>	w/w	w/d	2,5	3,0	3,0	4,5	3,0	3,5						
	d/d													

**Table C70.2:** Characteristic resistance under shear load (Push through anchorage)

Anchor rod	M10		M12		M16	
Perforated sleeve FIS H K	18x130/200				22x130/200	
<b><math>V_{Rk} = V_{Rk,b} = V_{Rk,c}</math> [kN] depending on the compressive strength <math>f_b</math> (temperature range 50/80°C and 72/120°C)</b>						
compressive strength $f_b$	use category					
6 N/mm <sup>2</sup>	w/w	w/d	2,0			
	d/d					
8 N/mm <sup>2</sup>	w/w	w/d	3,0			
	d/d					
10 N/mm <sup>2</sup>	w/w	w/d	3,5			
	d/d					

Factor for job site tests and displacements see annex C110

fischer injection system FIS V Plus for masonry

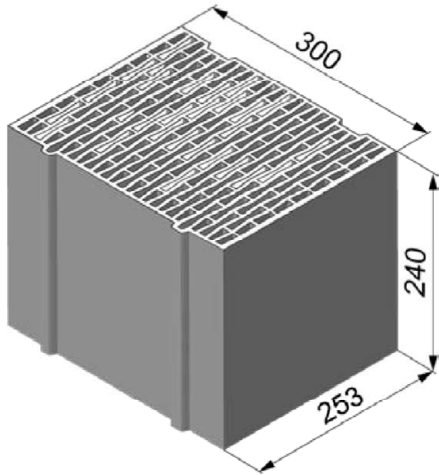
**Performance**

Vertical perforated brick HLz, Characteristic resistance under shear load

**Annex C 70**

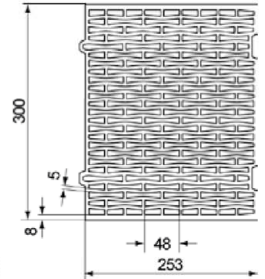
Appendix 96 / 136

## Vertical perforated brick HLz, EN 771-1:2015



Vertical perforated brick HLz, EN 771-1:2015			
Producer	e.g. Ziegelwerk Brenna		
Nominal dimensions [mm]	length L	width W	height H
	253	300	240
Density $\rho$ [kg/dm <sup>3</sup> ]	≥ 0,8		
Compressive strength $f_b$ [N/mm <sup>2</sup> ]	2 / 4 / 6		
Standard or annex	EN 771-1:2015		

Dimension see also Annex B 18



**Table C71.1:** Installation parameters  
(Pre-positioned anchorage with perforated sleeve FIS H K)

Anchor rod	M6	M8	M6	M8	-	M8	M10	M8	M10	-	M12	M16	M12	M16
Internal threaded anchor FIS E	-	-	-	-	M6 M8 11x85	-	-	-	-	M10 M12 15x85	-	-	-	-
Perforated sleeve FIS H K	12x50	12x85	12x85	12x85	16x85	16x130	16x130	16x130	16x130	20x85	20x85	20x130	20x130	20x130
<b>Anchor rod and internal threaded anchor FIS E with perforated sleeve FIS H K</b>														
Max. installation torque $T_{inst}$ [Nm]	2													
<b>General installation parameters</b>														
Edge distance $C_{min}$ [mm]	60													
Spacing $S_{min}$ [mm]	$S_{min \parallel} = S_{cr \parallel}$													
	$S_{min \perp} = S_{cr \perp}$													
<b>Drilling method</b>														
Hammer drilling with hard metal hammer drill														

**Table C71.2:** Group factors

Anchor rod	M6	M8	M6	M8	-	M8	M10	M8	M10	-	M12	M16	M12	M16
Internal threaded anchor FIS E	-	-	-	-	M6 M8 11x85	-	-	-	-	M10 M12 15x85	-	-	-	-
Perforated sleeve FIS H K	12x50	12x85	12x85	12x85	16x85	16x130	16x130	16x130	16x130	20x85	20x85	20x130	20x130	20x130
Group factors $\alpha_{g,N \parallel}$ $\alpha_{g,v \parallel}$ $\alpha_{g,N \perp}$ $\alpha_{g,v \perp}$ [-]	2													

fischer injection system FIS V Plus for masonry

**Performance**  
Vertical perforated brick HLz, dimensions, installation parameters

**Annex C 71**

Appendix 97 / 136

## Vertical perforated brick HLz, EN 771-1:2015

**Table C72.1:** Installation parameters  
(Push through anchorage with perforated sleeve FIS H K)

Anchor rod		M10	M12	M16
Perforated sleeve FIS H K		18x130/200		22x130/200
<b>Anchor rod with perforated sleeve FIS H K</b>				
Max. installation torque	$T_{inst}$	[Nm]	2	
<b>General installation parameters</b>				
Edge distance	$c_{min}$	[mm]	60	
Spacing	$s_{min \parallel} = s_{cr \parallel}$		255	
	$s_{min \perp} = s_{cr \perp}$		240	
<b>Drilling method</b>				
Hammer drilling with hard metal hammer drill				

**Table C72.2:** Group factors

Anchor rod		M10	M12	M16
Perforated sleeve FIS H K		18x130/200		22x130/200
Group factors	$\alpha_{g,N \parallel}$	[-]	2	
	$\alpha_{g,v \parallel}$			
	$\alpha_{g,N \perp}$			
	$\alpha_{g,v \perp}$			

fischer injection system FIS V Plus for masonry

**Performance**  
Vertical perforated brick HLz, dimensions, installation parameters

**Annex C 72**

Appendix 98 / 136

## Vertical perforated brick HLz, EN 771-1:2015

**Table C73.1:** Characteristic resistance under tension load (Pre-positioned anchorage)

Anchor rod	M6	M8	M6	M8	-	M8	M10	M8	M10	-	M12	M16	M12	M16
Internal threaded anchor FIS E	-		-		M6	M8	-		-		M10	M12	-	
					11x85						15x85			
Perforated sleeve FIS H K	12x50		12x85		16x85			16x130		20x85			20x130	
<b><math>N_{Rk} = N_{Rk,p} = N_{Rk,b}</math> [kN] depending on the compressive strength <math>f_b</math> (temperature range 50/80°C)</b>														
compressive strength $f_b$	use category													
2 N/mm <sup>2</sup>	w/w	w/d	- <sup>1)</sup>		0,5		0,5		0,4		0,5		0,4	
	d/d		0,3		0,5		0,5		0,5		0,5		0,5	
4 N/mm <sup>2</sup>	w/w	w/d	0,5		0,9		0,9		0,9		0,9		0,9	
	d/d		0,6		0,9		0,9		0,9		0,9		0,9	
6 N/mm <sup>2</sup>	w/w	w/d	0,75		1,5		1,5		1,2		1,5		1,2	
	d/d		0,9		1,5		1,5		1,5		1,5		1,5	

<sup>1)</sup> No performance assessed

**Table C73.2:** Characteristic resistance under tension load (Push through anchorage)

Anchor rod	M10		M12		M16	
Perforated sleeve FIS H K	18x130/200				22x130/200	
<b><math>N_{Rk} = N_{Rk,p} = N_{Rk,b}</math> [kN] depending on the compressive strength <math>f_b</math> (temperature range 50/80°C)</b>						
compressive strength $f_b$	use category					
2 N/mm <sup>2</sup>	w/w	w/d	0,4			
	d/d		0,5			
4 N/mm <sup>2</sup>	w/w	w/d	0,9			
	d/d		0,9			
6 N/mm <sup>2</sup>	w/w	w/d	1,2			
	d/d		1,5			

Factor for job site tests and displacements see annex C110

Factor for temperature range 72/120°C: 0,83

fischer injection system FIS V Plus for masonry

**Performance**  
Vertical perforated brick HLz, Characteristic resistance under tension load

**Annex C 73**

Appendix 99 / 136

## Vertical perforated brick HLz, EN 771-1:2015

**Table C74.1:** Characteristic resistance under shear load (Pre-positioned anchorage)

Anchor rod	M6	M8	M6	M8	-	M8	M10	M8	M10	-	M12	M16	M12	M16
Internal threaded anchor FIS E	-		-		M6	M8	-		-		M10	M12	-	
					11x85						15x85			
Perforated sleeve FIS H K	12x50		12x85		16x85			16x130		20x85			20x130	

$V_{Rk} = V_{Rk,b} = V_{Rk,c}$  [kN] depending on the compressive strength  $f_b$  (temperature range 50/80°C and 72/120°C)

compressive strength $f_b$	use category			
2 N/mm <sup>2</sup>	w/w	w/d	0,5	
	d/d			
4 N/mm <sup>2</sup>	w/w	w/d	0,9	
	d/d			
6 N/mm <sup>2</sup>	w/w	w/d	1,5	
	d/d			

**Table C74.2:** Characteristic resistance under shear load (Push through anchorage)

Anchor rod	M10	M12	M16
Perforated sleeve FIS H K	18x130/200		22x130/200

$V_{Rk} = V_{Rk,b} = V_{Rk,c}$  [kN] depending on the compressive strength  $f_b$  (temperature range 50/80°C and 72/120°C)

compressive strength $f_b$	use category			
2 N/mm <sup>2</sup>	w/w	w/d	0,5	
	d/d			
4 N/mm <sup>2</sup>	w/w	w/d	0,9	
	d/d			
6 N/mm <sup>2</sup>	w/w	w/d	1,5	
	d/d			

Factor for job site tests and displacements see annex C110

fischer injection system FIS V Plus for masonry

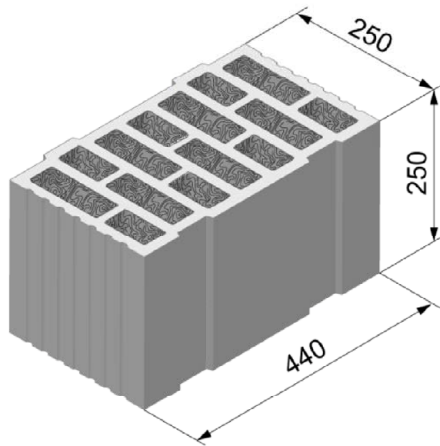
### Performance

Vertical perforated brick HLz, Characteristic resistance under shear load

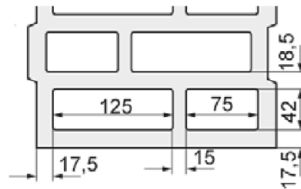
**Annex C 74**

Appendix 100 / 136

# Vertical perforated brick HLz, Porotherm W 44, filled with mineral wool, EN 771-1:2015



Vertical perforated brick HLz, Porotherm W 44, filled with mineral wool, EN 771-1:2015			
Producer	-		
Nominal dimensions [mm]	length L	width W	height H
	250	440	250
Density $\rho$ [kg/dm <sup>3</sup> ]	0,7		
Compressive strength $f_b$ [N/mm <sup>2</sup> ]	6 / 8 / 10		
Standard or annex	EN 771-1:2015		



Dimension see also Annex B 18

**Table C75.1:** Installation parameters  
(Pre-positioned anchorage with perforated sleeve FIS H K)

Anchor rod		M6	M8	M6	M8	-	M8	M10	M8	M10	-	M12	M16	M12	M16	M12	M16
Internal threaded anchor FIS E		-	-			M6	M8				M10	M12					
						11x85					15x85						
Perforated sleeve FIS H K		12x50		12x85		16x85			16x130		20x85		20x130		20x200		
Anchor rod and internal threaded anchor FIS E with perforated sleeve FIS H K																	
Max. installation torque	$T_{inst}$ [Nm]	2					5	2	5	6							
<b>General installation parameters</b>																	
Edge distance	$c_{min}$						60										
Spacing	$s_{min} \parallel$						80										
	$s_{cr} \parallel$						250										
	$s_{min} \perp$						80										
	$s_{cr} \perp$						250										
<b>Drilling method</b>																	
Rotary drilling with carbide drill																	

**Table C75.2:** Group factors

Anchor rod		M6	M8	M6	M8	-	M8	M10	M8	M10	-	M12	M16	M12	M16	M12	M16
Internal threaded anchor FIS E		-	-			M6	M8				M10	M12					
						11x85					15x85						
Perforated sleeve FIS H K		12x50		12x85		16x85			16x130		20x85		20x130		20x200		
Group factors	$\alpha_{g,N} \parallel$						1,3										
	$\alpha_{g,V} \parallel$						1,3										
	$\alpha_{g,N} \perp$						0,8										
	$\alpha_{g,V} \perp$						1,3										

fischer injection system FIS V Plus for masonry

## Performance

Vertical perforated brick HLz, Porotherm W 44, filled with mineral wool;  
dimensions, installation parameters

**Annex C 75**

Appendix 101 / 136

**Vertical perforated brick HLz, Porotherm W 44, filled with mineral wool, EN 771-1:2015**

**Table C76.1:** Installation parameters  
(Push through anchorage with perforated sleeve FIS H K)

Anchor rod		M10	M12	M16
Perforated sleeve FIS H K		18x130/200		22x130/200
<b>Anchor rod with perforated sleeve FIS H K</b>				
Max. installation torque	$T_{inst}$	[Nm]	5	6
<b>General installation parameters</b>				
Edge distance	$c_{min}$	[mm]	60	
Spacing	$s_{min \parallel}$		80	
	$s_{cr \parallel}$		250	
	$s_{min \perp}$		80	
	$s_{cr \perp}$		250	
<b>Drilling method</b>				
Rotary drilling with carbide drill				

**Table C76.2:** Group factors

Anchor rod		M10	M12	M16
Perforated sleeve FIS H K		18x130/200		22x130/200
Group factors	$\alpha_{g,N \parallel}$	[-]	1,3	
	$\alpha_{g,v \parallel}$		1,3	
	$\alpha_{g,N \perp}$		0,8	
	$\alpha_{g,v \perp}$		1,3	

fischer injection system FIS V Plus for masonry

**Performance**

Vertical perforated brick HLz, Porotherm W 44, filled with mineral wool;  
dimensions, installation parameters

**Annex C 76**



**Vertical perforated brick HLz, Porotherm W 44, filled with mineral wool, EN 771-1:2015**

**Table C77.1:** Characteristic resistance under tension load (Pre-positioned anchorage)

Anchor rod	M6	M8	M6	M8	-	M8	M10	M8	M10	-	M12	M16	M12	M16	M12	M16
Internal threaded anchor FIS E	-		-		M6	M8	-		-		M10	M12	-		-	
					11x85						15x85					
Perforated sleeve FIS H K	12x50		12x85		16x85			16x130		20x85			20x130		20x200	
<b><math>N_{Rk} = N_{Rk,p} = N_{Rk,b}</math> [kN] depending on the compressive strength <math>f_b</math> (temperature range 50/80°C)</b>																
compressive strength $f_b$	use category															
6 N/mm <sup>2</sup>	w/w	w/d	0,75	1,5	1,2			1,5			2,5					
	d/d		0,9	1,5	1,2			1,5			2,5					
8 N/mm <sup>2</sup>	w/w	w/d	0,9	1,5	1,2			1,5			2,5					
	d/d		0,9	2,0	1,5			2,0			3,0					
10 N/mm <sup>2</sup>	w/w	w/d	0,9	2,0	1,5			2,0			3,0					
	d/d		1,2	2,0	1,5			2,0			3,5					

**Table C77.2:** Characteristic resistance under tension load (Push through anchorage)

Anchor rod	M10		M12		M16	
Perforated sleeve FIS H K	18x130/200				22x130/200	
<b><math>N_{Rk} = N_{Rk,p} = N_{Rk,b}</math> [kN] depending on the compressive strength <math>f_b</math> (temperature range 50/80°C)</b>						
compressive strength $f_b$	use category					
6 N/mm <sup>2</sup>	w/w	w/d	1,5			
	d/d		1,5			
8 N/mm <sup>2</sup>	w/w	w/d	1,5			
	d/d		2,0			
10 N/mm <sup>2</sup>	w/w	w/d	2,0			
	d/d		2,0			

Factor for job site tests and displacements see annex C110

Factor for temperature range 72/120°C: 0,83

fischer injection system FIS V Plus for masonry

**Performance**

Vertical perforated brick HLz, Porotherm W 44, filled with mineral wool,  
Characteristic resistance under tension load

**Annex C 77**

**Vertical perforated brick HLz, Porotherm W 44, filled with mineral wool, EN 771-1:2015**

**Table C78.1:** Characteristic resistance under shear load (Pre-positioned anchorage)

Anchor rod	M6	M8	M6	M8	-	M8	M10	M8	M10	-	M12	M16	M12	M16	M12	M16
Internal threaded anchor FIS E	-		-		M6	M8	-		-		M10	M12	-		-	
					11x85						15x85					
Perforated sleeve FIS H K	12x50		12x85		16x85			16x130		20x85			20x130		20x200	

$V_{Rk} = V_{Rk,b} = V_{Rk,c}$  [kN] depending on the compressive strength  $f_b$  (temperature range 50/80°C and 72/120°C)

compressive strength $f_b$	use category				
	6 N/mm <sup>2</sup>	w/w	w/d	0,9	
d/d		1,2			
8 N/mm <sup>2</sup>	w/w	w/d	0,9		
	d/d				
10 N/mm <sup>2</sup>	w/w	w/d	1,2		
	d/d				

**Table C78.2:** Characteristic resistance under shear load (Push through anchorage)

Anchor rod	M10	M12	M16
Perforated sleeve FIS H K	18x130/200		22x130/200

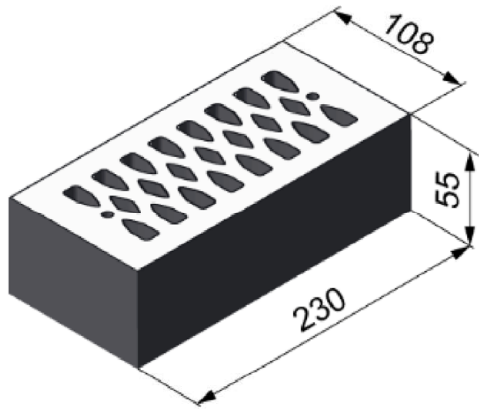
$V_{Rk} = V_{Rk,b} = V_{Rk,c}$  [kN] depending on the compressive strength  $f_b$  (temperature range 50/80°C and 72/120°C)

compressive strength $f_b$	use category			
	6 N/mm <sup>2</sup>	w/w	w/d	1,2
d/d		1,2		
8 N/mm <sup>2</sup>	w/w	w/d	1,5	
	d/d			
10 N/mm <sup>2</sup>	w/w	w/d	1,5	
	d/d			

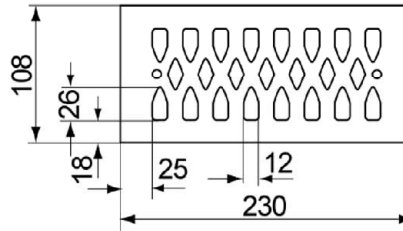
Factor for job site tests and displacements see annex C110

fischer injection system FIS V Plus for masonry	<b>Annex C 78</b> Appendix 104 / 136
<b>Performance</b> Vertical perforated brick HLz, Porotherm W 44, filled with mineral wool; Characteristic resistance under shear load	

# Vertical perforated brick HLz, EN 771-1:2015



Vertical perforated brick HLz, EN 771-1:2015			
Producer	e.g. Wienerberger.		
Nominal dimensions [mm]	length L	width W	height H
	230	108	55
Density $\rho$ [kg/dm <sup>3</sup> ]	$\geq 1,4$		
Compressive strength $f_b$ [N/mm <sup>2</sup> ]	2 / 4 / 6 / 8		
Standard or annex	EN 771-1:2015		



Dimension see also Annex B 18

**Table C79.1:** Installation parameters

Anchor rod		M6	M8	M6	M8	-	M8	M10	-	M12	M16
Internal threaded anchor FIS E		-		-		M6	M8	-	M10	M12	-
						11x85			15x85		
Perforated sleeve FIS H K		12x50		12x85		16x85			20x85		
<b>Anchor rod and internal threaded anchor FIS E with perforated sleeve FIS H K</b>											
Max. installation torque	$T_{inst}$	[Nm]	2								
<b>General installation parameters</b>											
Edge distance	$c_{min}$		60								
Spacing	$s_{min \parallel}$	[mm]	80								
	$s_{cr \parallel}$		230								
	$s_{min \perp}$		60								
	$s_{cr \perp}$		60								
				60							
<b>Drilling method</b>											
Hammer drilling with hard metal hammer drill											

**Table C79.2:** Group factors

Anchor rod		M6	M8	M6	M8	-	M8	M10	-	M12	M16
Internal threaded anchor FIS E		-		-		M6	M8	-	M10	M12	-
						11x85			15x85		
Perforated sleeve FIS H K		12x50		12x85		16x85			20x85		
Group factors	$\alpha_{g,N \parallel}$	[-]	2								
	$\alpha_{g,v \parallel}$										
	$\alpha_{g,N \perp}$										
	$\alpha_{g,v \perp}$										

fischer injection system FIS V Plus for masonry

**Performance**  
Vertical perforated brick HLz, dimensions, installation parameters

**Annex C 79**

Appendix 105 / 136

## Vertical perforated brick HLz, EN 771-1:2015

**Table C80.1:** Characteristic resistance under tension load <sup>1)</sup>

Anchor rod	M6	M8	M6	M8	-	M8	M10	-	M12	M16	
Internal threaded anchor FIS E	-		-		M6	M8	-		M10	M12	-
					11x85				15x85		
Perforated sleeve FIS H K	12x50		12x85		16x85			20x85			
$N_{Rk} = N_{Rk,p} = N_{Rk,b}$ [kN] depending on the compressive strength $f_b$ (temperature range 50/80°C)											
compressive strength $f_b$	use category										
2 N/mm <sup>2</sup>	w/w	w/d	0,3	0,9	0,75			0,5			
	d/d		0,3	0,9	0,9			0,6			
4 N/mm <sup>2</sup>	w/w	w/d	0,6	1,5	1,5			0,9			
	d/d		0,75	2,0	1,5			1,2			
6 N/mm <sup>2</sup>	w/w	w/d	0,9	2,5	2,5			1,5			
	d/d		0,9	3,0	2,5			1,5			
8 N/mm <sup>2</sup>	w/w	w/d	1,2	3,5	3,0			2,0			
	d/d		1,5	4,0	3,5			2,5			

<sup>1)</sup> If the fixing is in a solid area, for w/w, the characteristic value shall be reduced with the factor 0,64.

Factor for temperature range 72/120°C: 0,83

**Table C80.2:** Characteristic resistance under shear load

Anchor rod	M6	M8	M6	M8	-	M8	M10	-	M12	M16	
Internal threaded anchor FIS E	-		-		M6	M8	-		M10	M12	-
					11x85				15x85		
Perforated sleeve FIS H K	12x50		12x85		16x85			20x85			
$V_{Rk} = V_{Rk,b} = V_{Rk,c}$ [kN] depending on the compressive strength $f_b$ (temperature range 50/80°C and 72/120°C)											
compressive strength $f_b$	use category										
2 N/mm <sup>2</sup>	w/w	w/d	0,6						0,4		
	d/d										
4 N/mm <sup>2</sup>	w/w	w/d	1,2						0,9		
	d/d										
6 N/mm <sup>2</sup>	w/w	w/d	1,5						1,2		
	d/d										
8 N/mm <sup>2</sup>	w/w	w/d	2,5						1,5		
	d/d										

Factor for job site tests and displacements see annex C110

fischer injection system FIS V Plus for masonry

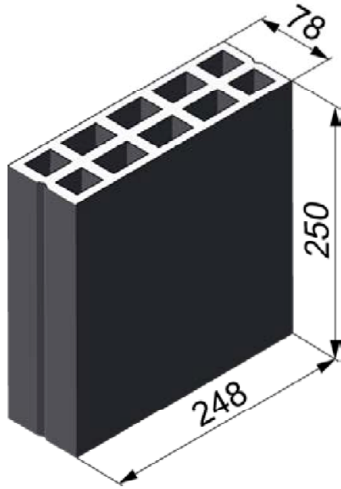
### Performance

Vertical perforated brick HLz, Characteristic resistance under tension and shear load

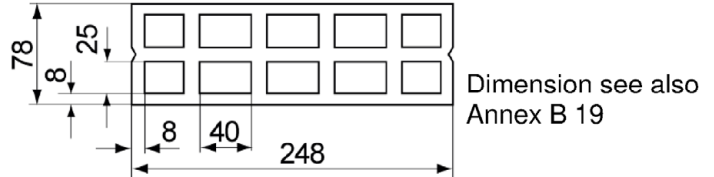
**Annex C 80**

Appendix 106 / 136

# Horizontal perforated brick LLz, EN 771-1:2015



Horizontal perforated brick LLz, EN 771-1:2015			
Producer	-		
Nominal dimensions [mm]	length L	width W	height H
	250	78	248
Density $\rho$ [kg/dm <sup>3</sup> ]	≥ 0,7		
Compressive strength $f_b$ [N/mm <sup>2</sup> ]	2 / 4 / 6		
Standard or annex	EN 771-1:2015		



**Table C81.1:** Installation parameters

Anchor rod		M6	M8
Perforated sleeve FIS H K		12x50	
Anchor rod with perforated sleeve FIS H K			
Max. installation torque	$T_{inst}$ [Nm]	2	
<b>General installation parameters</b>			
Edge distance	$c_{min}$	100	
Spacing	$s_{min \parallel}$	75	
	$s_{cr \parallel}$	250	
	$s_{min \perp} = s_{cr \perp}$	250	
<b>Drilling method</b>			
Hammer drilling with hard metal hammer drill			

**Table C81.2:** Group factors

Anchor rod		M6	M8
Perforated sleeve FIS H K		12x50	
Group factors	$\alpha_{g,N \parallel}$	1,6	
	$\alpha_{g,V \parallel}$	1,1	
	$\alpha_{g,N \perp}$	2,0	
	$\alpha_{g,V \perp}$		

fischer injection system FIS V Plus for masonry	<b>Annex C 81</b> Appendix 107 / 136
<b>Performance</b> Horizontal perforated brick LLz, dimensions, installation parameters	

## Horizontal perforated brick LLz, EN 771-1:2015

**Table C82.1:** Characteristic resistance under tension load

Anchor rod		M6	M8
Perforated sleeve FIS H K		12x50	
$N_{Rk} = N_{Rk,p} = N_{Rk,b}$ [kN] depending on the compressive strength $f_b$ (temperature range 50/80°C)			
compressive strength $f_b$	use category		
2 N/mm <sup>2</sup>	w/w	w/d	0,5
	d/d		0,6
4 N/mm <sup>2</sup>	w/w	w/d	0,9
	d/d		1,2
6 N/mm <sup>2</sup>	w/w	w/d	1,5
	d/d		1,5

Factor for temperature range 72/120°C: 0,83

**Table C82.2:** Characteristic resistance under shear load

Anchor rod		M6	M8
Perforated sleeve FIS H K		12x50	
$V_{Rk} = V_{Rk,b} = V_{Rk,c}$ [kN] depending on the compressive strength $f_b$ (temperature range 50/80°C and 72/120°C)			
compressive strength $f_b$	use category		
2 N/mm <sup>2</sup>	w/w	w/d	0,5
	d/d		
4 N/mm <sup>2</sup>	w/w	w/d	0,9
	d/d		
6 N/mm <sup>2</sup>	w/w	w/d	1,5
	d/d		

Factor for job site tests and displacements see annex C110

fischer injection system FIS V Plus for masonry

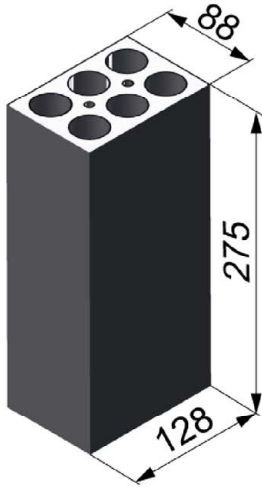
**Performance**

Horizontal perforated brick LLz, Characteristic resistance under tension and shear load

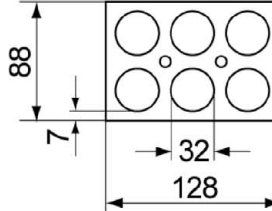
**Annex C 82**

Appendix 108 / 136

# Horizontal perforated brick LLz, EN 771-1:2015



Horizontal perforated brick LLz, EN 771-1:2015			
Producer	e.g. Ceramica Farreny S.A.		
Nominal dimensions [mm]	length L	width W	height H
	275	88	128
Density $\rho$ [kg/dm <sup>3</sup> ]	≥ 0,8		
Compressive strength $f_b$ [N/mm <sup>2</sup> ]	2		
Standard or annex	EN 771-1:2015		



Dimension see also Annex B 19

**Table C83.1:** Installation parameters

Anchor rod		M6	M8
Perforated sleeve FIS H K		12x50	
Anchor rod with perforated sleeve FIS H K			
Max. installation torque	$T_{inst}$ [Nm]	2	
<b>General installation parameters</b>			
Edge distance	$c_{min}$	60	
Spacing	$s_{min \parallel}$	75	
	$s_{cr \parallel}$ [mm]	275	
	$s_{min \perp}$	75	
	$s_{cr \perp}$	130	
	<b>Drilling method</b>		
Hammer drilling with hard metal hammer drill			

**Table C83.2:** Group factors

Anchor rod		M6	M8
Perforated sleeve FIS H K		12x50	
Group factors	$\alpha_{g,N \parallel}$	1,3	
	$\alpha_{g,v \parallel}$	1,5	
	$\alpha_{g,N \perp}$	1,3	
	$\alpha_{g,v \perp}$	1,5	

fischer injection system FIS V Plus for masonry

**Performance**  
Horizontal perforated brick LLz, dimensions, installation parameters

**Annex C 83**

Appendix 109 / 136

## Horizontal perforated brick LLz, EN 771-1:2015

**Table C84.1:** Characteristic resistance under tension load

Anchor rod		M6	M8
Perforated sleeve FIS H K		12x50	
<b><math>N_{RK} = N_{RK,p} = N_{RK,b}</math> [kN] depending on the compressive strength <math>f_b</math> (temperature range 50/80°C)</b>			
compressive strength $f_b$	use category		
2 N/mm <sup>2</sup>	w/w	w/d	1,5
	d/d		

Factor for temperature range 72/120°C: 0,83

**Table C84.2:** Characteristic resistance under shear load

Anchor rod		M6	M8
Perforated sleeve FIS H K		12x50	
<b><math>V_{RK} = V_{RK,b} = V_{RK,c}</math> [kN] depending on the compressive strength <math>f_b</math> (temperature range 50/80°C and 72/120°C)</b>			
compressive strength $f_b$	use category		
2 N/mm <sup>2</sup>	w/w	w/d	1,2
	d/d		

Factor for job site tests and displacements see annex C110

fischer injection system FIS V Plus for masonry

**Performance**

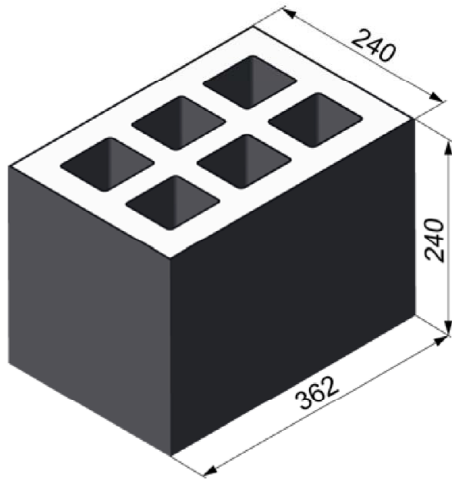
Horizontal perforated brick LLz, Characteristic resistance under tension and shear load

**Annex C 84**

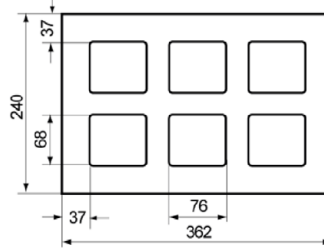
Appendix 110 / 136



# Light-weight concrete hollow block Hbl, EN 771-3:2015



Light-weight concrete hollow block Hbl, EN 771-3:2015			
Producer	-		
Nominal dimensions [mm]	Länge L	Breite B	Höhe H
	362	240	240
Density $\rho$ [kg/dm <sup>3</sup> ]	$\geq 1,0$		
Compressive strength $f_b$ [N/mm <sup>2</sup> ]	2 / 4		
Standard or annex	EN 771-3:2015		



Dimension see also Annex B 19

**Table C85.1:** Installation parameters  
(Pre-positioned anchorage with perforated sleeve FIS H K)

Anchor rod	M6	M8	M6	M8	-	M8	M10	M8	M10	-	M12	M16	M12	M16	M12	M16
Internal threaded anchor FIS E	-	-	-	-	M6	M8	-	-	M10	M12	-	-	-	-	-	-
					11x85				15x85							
Perforated sleeve FIS H K	12x50	12x85	12x85	12x85	16x85	16x85	16x130	16x130	16x130	20x85	20x85	20x130	20x130	20x200	20x200	20x200
Anchor rod and internal threaded anchor FIS E with perforated sleeve FIS H K																
Max. installation torque $T_{inst}$ [Nm]	2															
<b>General installation parameters</b>																
Edge distance $c_{min}$	60															
Spacing	$s_{min \parallel}$	100														
	$s_{cr \parallel}$	362														
	$s_{min \perp} = s_{cr \perp}$	240														
<b>Drilling method</b>																
Hammer drilling with hard metal hammer drill																

**Table C85.2:** Group factors

Anchor rod	M6	M8	M6	M8	-	M8	M10	M8	M10	-	M12	M16	M12	M16	M12	M16
Internal threaded anchor FIS E	-	-	-	-	M6	M8	-	-	M10	M12	-	-	-	-	-	-
					11x85				15x85							
Perforated sleeve FIS H K	12x50	12x85	12x85	12x85	16x85	16x85	16x130	16x130	16x130	20x85	20x85	20x130	20x130	20x200	20x200	20x200
Group factors	$\alpha_{g,N \parallel}$	1,2														
	$\alpha_{g,V \parallel}$	1,1														
	$\alpha_{g,N \perp}$	2,0														
	$\alpha_{g,V \perp}$	2,0														

fischer injection system FIS V Plus for masonry

**Performance**  
Light-weight concrete hollow block Hbl, dimensions, installation parameters

**Annex C 85**

Appendix 111 / 136

## Light-weight concrete hollow block Hbl, EN 771-3:2015

**Table C86.1:** Installation parameters  
(Push through anchorage with perforated sleeve FIS H K)

Anchor rod		M10	M12	M16
Perforated sleeve FIS H K		18x130/200		22x130/200
<b>Anchor rod with perforated sleeve FIS H K</b>				
Max. installation torque	$T_{inst}$	[Nm]	2	
<b>General installation parameters</b>				
Edge distance	$c_{min}$	[mm]	60	
Spacing	$s_{min \parallel}$		100	
	$s_{cr \parallel}$		362	
	$s_{min \perp} = s_{cr \perp}$		240	
<b>Drilling method</b>				
Hammer drilling with hard metal hammer drill				

**Table C86.2:** Group factors

Anchor rod		M10	M12	M16
Perforated sleeve FIS H K		18x130/200		22x130/200
Group factors	$\alpha_{g,N \parallel}$	[-]	1,2	
	$\alpha_{g,V \parallel}$		1,1	
	$\alpha_{g,N \perp}$		2,0	
	$\alpha_{g,V \perp}$			

fischer injection system FIS V Plus for masonry

**Performance**  
Light-weight concrete hollow block Hbl, dimensions, installation parameters

**Annex C 86**

Appendix 112 / 136

## Light-weight concrete hollow block Hbl, EN 771-3:2015

**Table C87.1:** Characteristic resistance under tension load (Pre-positioned anchorage)

Anchor rod	M6	M8	M6	M8	-	M8	M10	M8	M10	-	M12	M16	M12	M16	M12	M16	
Internal threaded anchor FIS E	-		-		M6	M8	-		-		M10	M12	-		-		
					11x85						15x85						
Perforated sleeve FIS H K	12x50		12x85		16x85			16x130		20x85			20x130		20x200		
<b><math>N_{Rk} = N_{Rk,p} = N_{Rk,b}</math> [kN] depending on the compressive strength <math>f_b</math> (temperature range 50/80°C)</b>																	
compressive strength $f_b$	use category																
2 N/mm <sup>2</sup>	w/w	w/d	1,2								1,5						2,5
	d/d		1,2								1,5						2,5
4 N/mm <sup>2</sup>	w/w	w/d	2,0								3,0						5,0
	d/d		2,5								3,0						5,5

**Table C87.2:** Characteristic resistance under tension load (Push through anchorage)

Anchor rod	M10		M12		M16				
Perforated sleeve FIS H K	18x130/200				22x130/200				
<b><math>N_{Rk} = N_{Rk,p} = N_{Rk,b}</math> [kN] depending on the compressive strength <math>f_b</math> (temperature range 50/80°C)</b>									
compressive strength $f_b$	use category								
2 N/mm <sup>2</sup>	w/w	w/d							1,5
	d/d								1,5
4 N/mm <sup>2</sup>	w/w	w/d							3,0
	d/d								3,0

Factor for job site tests and displacements see annex C110

Factor for temperature range 72/120°C: 0,83

fischer injection system FIS V Plus for masonry

### Performance

Light-weight concrete hollow block Hbl, Characteristic resistance under tension load

**Annex C 87**

Appendix 113 / 136

## Light-weight concrete hollow block Hbl, EN 771-3:2015

**Table C88.1:** Characteristic resistance under shear load (Pre-positioned anchorage)

Anchor rod	M6	M8	M6	M8	-	M8	M10	M8	M10	-	M12	M16	M12	M16	M12	M16
Internal threaded anchor FIS E	-		-		M6	M8	-		-		M10	M12	-		-	
					11x85						15x85					
Perforated sleeve FIS H K	12x50		12x85		16x85			16x130		20x85			20x130		20x200	

$V_{Rk} = V_{Rk,b} = V_{Rk,c}$  [kN] depending on the compressive strength  $f_b$  (temperature range 50/80°C and 72/120°C)

compressive strength $f_b$	use category		
2 N/mm <sup>2</sup>	w/w	w/d	0,9
	d/d		
4 N/mm <sup>2</sup>	w/w	w/d	2,0
	d/d		

**Table C88.2:** Characteristic resistance under shear load (Push through anchorage)

Anchor rod	M10	M12	M16
Perforated sleeve FIS H K	18x130/200		22x130/200

$V_{Rk} = V_{Rk,b} = V_{Rk,c}$  [kN] depending on the compressive strength  $f_b$  (temperature range 50/80°C and 72/120°C)

compressive strength $f_b$	use category		
2 N/mm <sup>2</sup>	w/w	w/d	0,9
	d/d		
4 N/mm <sup>2</sup>	w/w	w/d	2,0
	d/d		

Factor for job site tests and displacements see annex C110

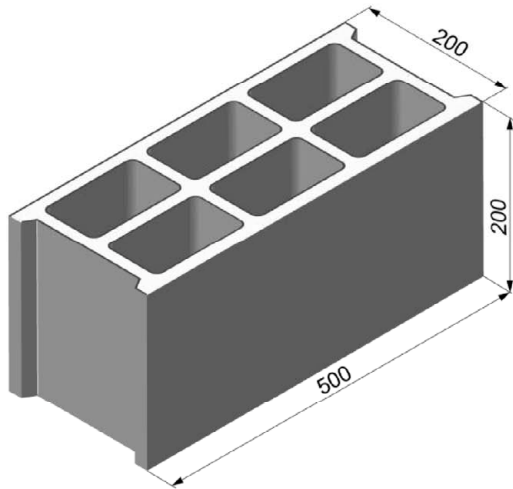
fischer injection system FIS V Plus for masonry

**Performance**

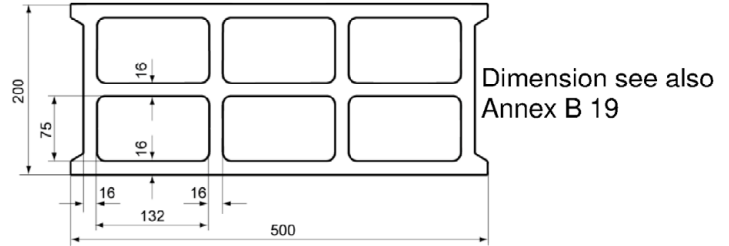
Light-weight concrete hollow block Hbl, Characteristic resistance under shear load

**Annex C 88**

# Light-weight concrete hollow block Hbl, EN 771-3:2015



Light-weight concrete hollow block Hbl, EN 771-3:2015			
Producer	e.g. Sepa		
Nominal dimensions [mm]	length L	width W	height H
	500	200	200
Density $\rho$ [kg/dm <sup>3</sup> ]	$\geq 1,0$		
Compressive strength $f_b$ [N/mm <sup>2</sup> ]	2 / 4 / 6		
Standard or annex	EN 771-1:2015		



**Table C89.1:** Installation parameters

Anchor rod	M6	M8	M6	M8	-	M8	M10	M8	M10	M10	M12	-	M12	M16
Internal threaded anchor FIS E	-	-	M6	M8	11x85	-	-	-	-	-	-	M10	M12	-
Perforated sleeve FIS H K	12x50	12x85	16x85		16x130	18x130/200		20x85						
<b>Anchor rod and internal threaded anchor FIS E with perforated sleeve FIS H K</b>														
Max. installation torque $T_{inst}$ [Nm]	1				2									
<b>General installation parameters</b>														
Edge distance $C_{min}$	100													
Spacing $S_{min}$	$S_{min \parallel} = S_{cr \parallel}$ [mm]										500			
	$S_{min \perp} = S_{cr \perp}$										200			
<b>Drilling method</b>														
Hammer drilling with hard metal hammer drill														

**Table C89.2:** Group factors

Anchor rod	M6	M8	M6	M8	-	M8	M10	M8	M10	M10	M12	-	M12	M16
Internal threaded anchor FIS E	-	-	M6	M8	11x85	-	-	-	-	-	-	M10	M12	-
Perforated sleeve FIS H K	12x50	12x85	16x85		16x130	18x130/200		20x85						
Group factors	$\alpha_{g,N \parallel}$	[-]	2											
	$\alpha_{g,V \parallel}$													
	$\alpha_{g,N \perp}$													
	$\alpha_{g,V \perp}$													

fischer injection system FIS V Plus for masonry	<b>Annex C 89</b> Appendix 115 / 136
<b>Performance</b> Light-weight concrete hollow block Hbl, dimensions, installation parameters	

# Light-weight concrete hollow block Hbl, EN 771-3:2015

**Table C90.1:** Characteristic resistance under tension load

<b>Anchor rod</b>	<b>M6</b>	<b>M8</b>	<b>M6</b>	<b>M8</b>	-	<b>M8</b>	<b>M10</b>	<b>M8</b>	<b>M10</b>	<b>M10</b>	<b>M12</b>	-	<b>M12</b>	<b>M16</b>	
<b>Internal threaded anchor FIS E</b>	-		-		<b>M6</b>	<b>M8</b>	-		-		-		<b>M10</b>	<b>M12</b>	-
					<b>11x85</b>								<b>15x85</b>		
<b>Perforated sleeve FIS H K</b>	<b>12x50</b>		<b>12x85</b>		<b>16x85</b>			<b>16x130</b>		<b>18x130/200</b>		<b>20x85</b>			

**$N_{Rk} = N_{Rk,p} = N_{Rk,b}$  [kN] depending on the compressive strength  $f_b$  (temperature range 50/80°C)**

compressive strength $f_b$	use category		
<b>2 N/mm<sup>2</sup></b>	w/w	w/d	0,4
	d/d		0,5
<b>4 N/mm<sup>2</sup></b>	w/w	w/d	0,9
	d/d		0,9
<b>6 N/mm<sup>2</sup></b>	w/w	w/d	1,2
	d/d		1,5

Factor for temperature range 72/120°C: 0,83

**Table C90.2:** Characteristic resistance under shear load

<b>Anchor rod</b>	<b>M6</b>	<b>M8</b>	<b>M6</b>	<b>M8</b>	-	<b>M8</b>	<b>M10</b>	<b>M8</b>	<b>M10</b>	<b>M10</b>	<b>M12</b>	-	<b>M12</b>	<b>M16</b>	
<b>Internal threaded anchor FIS E</b>	-		-		<b>M6</b>	<b>M8</b>	-		-		-		<b>M10</b>	<b>M12</b>	-
					<b>11x85</b>								<b>15x85</b>		
<b>Perforated sleeve FIS H K</b>	<b>12x50</b>		<b>12x85</b>		<b>16x85</b>			<b>16x130</b>		<b>18x130/200</b>		<b>20x85</b>			

**$V_{Rk} = V_{Rk,b} = V_{Rk,c}$  [kN] depending on the compressive strength  $f_b$  (temperature range 50/80°C and 72/120°C)**

compressive strength $f_b$	use category		
<b>2 N/mm<sup>2</sup></b>	w/w	w/d	0,9
	d/d		
<b>4 N/mm<sup>2</sup></b>	w/w	w/d	1,5
	d/d		
<b>6 N/mm<sup>2</sup></b>	w/w	w/d	2,5
	d/d		

Factor for job site tests and displacements see annex C110

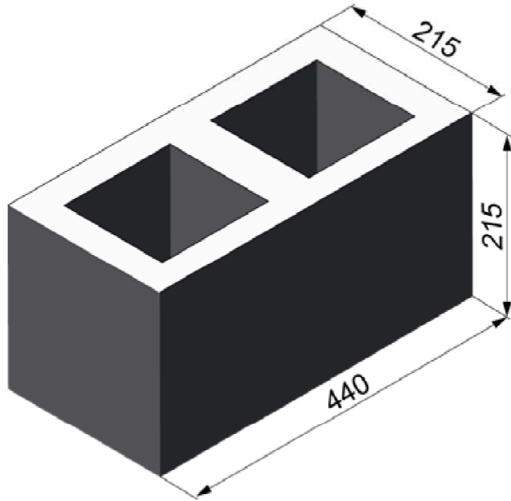
fischer injection system FIS V Plus for masonry

**Performance**

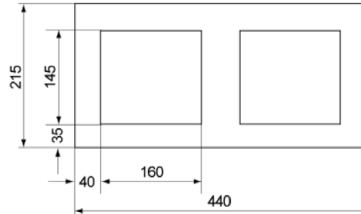
Light-weight concrete hollow block Hbl,  
Characteristic resistance under tension and shear load

**Annex C 90**

# Light-weight concrete hollow block Hbl, EN 771-3:2015



Light-weight concrete hollow block Hbl, EN 771-3:2015			
Producer	e.g. Roadstone wood		
Nominal dimensions [mm]	length L	width W	height H
	440	215	215
Density $\rho$ [kg/dm <sup>3</sup> ]	$\geq 1,2$		
Compressive strength $f_b$ [N/mm <sup>2</sup> ]	4 / 6 / 8 / 10		
Standard or annex	EN 771-3:2015		



Dimension see also Annex B 19

**Table C91.1:** Installation parameters  
(Pre-positioned anchorage with perforated sleeve FIS H K)

Anchor rod	M6	M8	M6	M8	-	M8	M10	M8	M10	-	M12	M16	M12	M16
Internal threaded anchor FIS E	-	-	-	-	M6	M8	-	-	-	M10	M12	-	-	-
					11x85					15x85				
Perforated sleeve FIS H K	12x50		12x85		16x85			16x130		20x85			20x130	
Anchor rod and internal threaded anchor FIS E with perforated sleeve FIS H K														
Max. installation torque	$T_{inst}$	[Nm]	2											
General installation parameters														
Edge distance	$c_{min}$		110											
Spacing	$s_{min} \parallel$	[mm]	100											
	$s_{cr} \parallel$		440											
	$s_{min} \perp$		100											
	$s_{cr} \perp$		215											
Drilling method														
Hammer drilling with hard metal hammer drill														

**Table C91.2:** Group factors

Anchor rod	M6	M8	M6	M8	-	M8	M10	M8	M10	-	M12	M16	M12	M16
Internal threaded anchor FIS E	-	-	-	-	M6	M8	-	-	-	M10	M12	-	-	-
					11x85					15x85				
Perforated sleeve FIS H K	12x50		12x85		16x85			16x130		20x85			20x130	
Group factors	$\alpha_{g,N} \parallel$	[-]	1,4											
	$\alpha_{g,V} \parallel$		2,0											
	$\alpha_{g,N} \perp$		1,4											
	$\alpha_{g,V} \perp$		1,2											

fischer injection system FIS V Plus for masonry

**Performance**  
Light-weight concrete hollow block Hbl, dimensions, installation parameters

**Annex C 91**

Appendix 117 / 136

## Light-weight concrete hollow block Hbl, EN 771-3:2015

**Table C92.1:** Installation parameters  
(Push through anchorage with perforated sleeve FIS H K)

Anchor rod		M10	M12	M16
Perforated sleeve FIS H K		18x130/200		22x130/200
<b>Anchor rod with perforated sleeve FIS H K</b>				
Max. installation torque	$T_{inst}$	[Nm]	2	
<b>General installation parameters</b>				
Edge distance	$c_{min}$	[mm]	110	
Spacing	$s_{min \parallel}$		100	
	$s_{cr \parallel}$		440	
	$s_{min \perp}$		100	
	$s_{cr \perp}$		215	
<b>Drilling method</b>				
Hammer drilling with hard metal hammer drill				

**Table C92.2:** Group factors

Anchor rod		M10	M12	M16
Perforated sleeve FIS H K		18x130/200		22x130/200
Group factors	$\alpha_{g,N \parallel}$	[-]	1,4	
	$\alpha_{g,V \parallel}$		2,0	
	$\alpha_{g,N \perp}$		1,4	
	$\alpha_{g,V \perp}$		1,2	

fischer injection system FIS V Plus for masonry

**Performance**  
Light-weight concrete hollow block Hbl, dimensions, installation parameters

**Annex C 92**

Appendix 118 / 136



# Light-weight concrete hollow block Hbl, EN 771-3:2015

**Table C93.1:** Characteristic resistance under tension load (Pre-positioned anchorage)

Anchor rod	M6	M8	M6	M8	-	M8	M10	M8	M10	-	M12	M16	M12	M16
Internal threaded anchor FIS E	-		-		M6	M8	-		-		M10	M12	-	
					11x85						15x85			
Perforated sleeve FIS H K	12x50		12x85		16x85			16x130		20x85			20x130	
<b><math>N_{Rk} = N_{Rk,p} = N_{Rk,b}</math> [kN] depending on the compressive strength <math>f_b</math> (temperature range 50/80°C)</b>														
compressive strength $f_b$	use category													
4 N/mm <sup>2</sup>	w/w	w/d	0,9			1,2			2,0					
	d/d		1,2			1,5			2,0					
6 N/mm <sup>2</sup>	w/w	w/d	1,5			2,0			3,0					
	d/d		1,5			2,0			3,0					
8 N/mm <sup>2</sup>	w/w	w/d	2,0			2,5			3,5					
	d/d		2,0			3,0			4,0					
10 N/mm <sup>2</sup>	w/w	w/d	2,5			3,0			4,5					
	d/d		3,0			3,5			5,0					

**Table C93.2:** Characteristic resistance under tension load (Push through anchorage)

Anchor rod	M10		M12		M16	
Perforated sleeve FIS H K	18x130/200				22x130/200	
<b><math>N_{Rk} = N_{Rk,p} = N_{Rk,b}</math> [kN] depending on the compressive strength <math>f_b</math> (temperature range 50/80°C)</b>						
compressive strength $f_b$	use category					
4 N/mm <sup>2</sup>	w/w	w/d	1,2		2,0	
	d/d		1,5		2,0	
6 N/mm <sup>2</sup>	w/w	w/d	2,0		3,0	
	d/d		2,0		3,0	
8 N/mm <sup>2</sup>	w/w	w/d	2,5		3,5	
	d/d		3,0		4,0	
10 N/mm <sup>2</sup>	w/w	w/d	3,0		4,5	
	d/d		3,5		5,0	

Factor for job site tests and displacements see annex C110

Factor for temperature range 72/120°C: 0,83

fischer injection system FIS V Plus for masonry

**Performance**

Light-weight concrete hollow block Hbl, Characteristic resistance under tension load

**Annex C 93**

# Light-weight concrete hollow block Hbl, EN 771-3:2015

**Table C94.1:** Characteristic resistance under shear load (Pre-positioned anchorage)

Anchor rod	M6	M8	M6	M8	-	M8	M10	M8	M10	-	M12	M16	M12	M16
Internal threaded anchor FIS E	-		-		M6	M8	-		-		M10	M12	-	
					11x85						15x85			
Perforated sleeve FIS H K	12x50		12x85		16x85			16x130		20x85			20x130	

**$V_{Rk} = V_{Rk,b} = V_{Rk,c}$  [kN] depending on the compressive strength  $f_b$  (temperature range 50/80°C and 72/120°C)**

compressive strength $f_b$	use category										
	4 N/mm <sup>2</sup>	w/w	w/d	0,75	1,2	0,75	1,2	0,75			
d/d											
6 N/mm <sup>2</sup>	w/w	w/d	1,2	2,0	1,2	2,0	1,2				2,0
	d/d										
8 N/mm <sup>2</sup>	w/w	w/d	1,5	2,5	1,5	2,5	1,5				2,5
	d/d										
10 N/mm <sup>2</sup>	w/w	w/d	2,0	3,0	2,0	3,0	2,0				3,0
	d/d										

**Table C94.2:** Characteristic resistance under shear load (Push through anchorage)

Anchor rod	M10			M12			M16		
Perforated sleeve FIS H K	18x130/200						22x130/200		

**$V_{Rk} = V_{Rk,b} = V_{Rk,c}$  [kN] depending on the compressive strength  $f_b$  (temperature range 50/80°C and 72/120°C)**

compressive strength $f_b$	use category									
	4 N/mm <sup>2</sup>	w/w	w/d							
d/d										
6 N/mm <sup>2</sup>	w/w	w/d								2,0
	d/d									
8 N/mm <sup>2</sup>	w/w	w/d								2,5
	d/d									
10 N/mm <sup>2</sup>	w/w	w/d								3,0
	d/d									

Factor for job site tests and displacements see annex C110

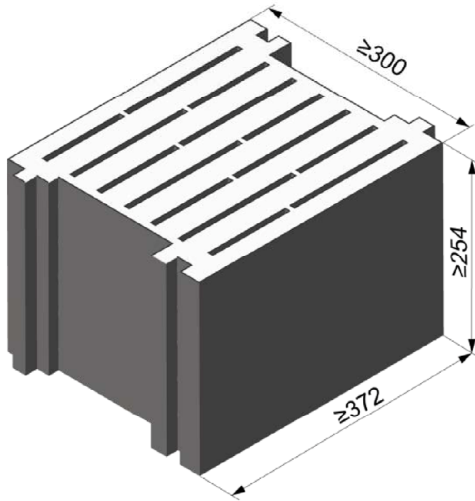
fischer injection system FIS V Plus for masonry

**Performance**

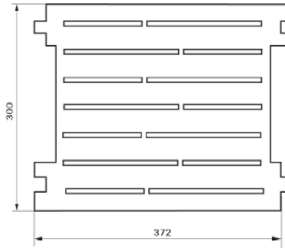
Light-weight concrete hollow block Hbl, Characteristic resistance under shear load

**Annex C 94**

# Light-weight concrete solid block Vbl, EN 771-3:2015



Light-weight concrete solid block Vbl, EN 771-3:2015			
Producer	e.g. Sepa		
Nominal dimensions [mm]	length L	width W	height H
	≥ 372	≥ 300	≥ 254
Density $\rho$ [kg/dm <sup>3</sup> ]	≥ 0,6		
Compressive strength $f_b$ [N/mm <sup>2</sup> ]	2		
Standard or annex	EN 771-3:2015		



**Table C95.1:** Installation parameters

Anchor rod	M8	M10	M10	M12	M12	M16	M16	M12	M16
Perforated sleeve FIS H K	16x130		18x130/200		20x130		22x130/200		20x200
<b>Anchor rod with perforated sleeve FIS H K</b>									
Max. installation torque $T_{inst}$ [Nm]	4								
<b>General installation parameters</b>									
Edge distance $c_{min}$	130								
Spacing $s_{min \parallel} = s_{cr \parallel}$	370								
	$s_{min \perp} = s_{cr \perp}$	250							
<b>Drilling method</b>									
Hammer drilling with hard metal hammer drill									

**Table C95.2:** Group factors

Anchor rod	M8	M10	M10	M12	M12	M16	M16	M12	M16
Perforated sleeve FIS H K	16x130		18x130/200		20x130		22x130/200		20x200
Group factors $\alpha_{g,N \parallel}$ $\alpha_{g,V \parallel}$ $\alpha_{g,N \perp}$ $\alpha_{g,V \perp}$ [-]	2								

fischer injection system FIS V Plus for masonry

**Performance**  
Light-weight concrete solid block Vbl, dimensions, installation parameters

**Annex C 95**

Appendix 121 / 136

# Light-weight concrete solid block Vbl, EN 771-3:2015

**Table C96.1:** Characteristic resistance under tension load

Anchor rod	M8	M10	M10	M12	M12	M16	M16	M12	M16	
Perforated sleeve FIS H K	16x130		18x130/200		20x130		22x130/200		20x200	
<b><math>N_{Rk} = N_{Rk,p} = N_{Rk,b}</math> [kN] depending on the compressive strength <math>f_b</math> (temperature range 50/80°C)</b>										
compressive strength $f_b$	use category									
2 N/mm <sup>2</sup>	w/w	w/d	2,0			2,5			3,0	
	d/d		2,0			3,0			4,0	

Factor for temperature range 72/120°C: 0,83

**Table C96.2:** Characteristic resistance under shear load

Anchor rod	M8	M10	M10	M12	M12	M16	M16	M12	M16	
Perforated sleeve FIS H K	16x130		18x130/200		20x130		22x130/200		20x200	
<b><math>V_{Rk} = V_{Rk,b} = V_{Rk,c}</math> [kN] depending on the compressive strength <math>f_b</math> (temperature range 50/80°C and 72/120°C)</b>										
compressive strength $f_b$	use category									
2 N/mm <sup>2</sup>	w/w	w/d	4,5			6,5				
	d/d									

Factor for job site tests and displacements see annex C110

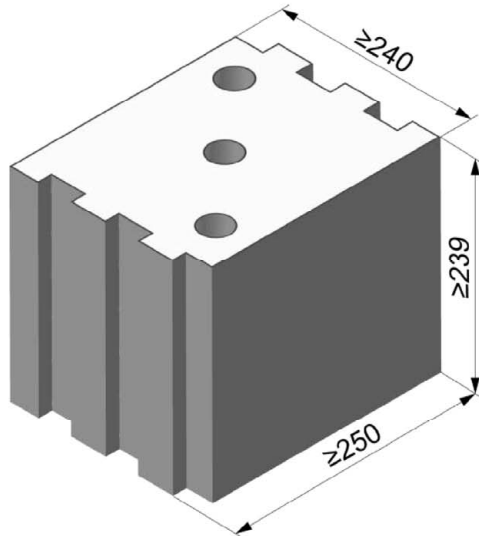
fischer injection system FIS V Plus for masonry

**Performance**

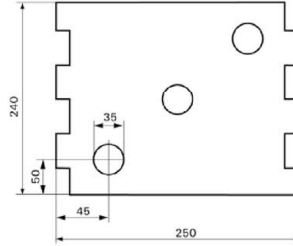
Light-weight concrete solid block Vbl,  
Characteristic resistance under tension and shear load

**Annex C 96**

# Light-weight concrete solid block Vbl, EN 771-3:2015



Light-weight concrete solid block Vbl, EN 771-3:2015			
Producer		KLB	
Nominal dimensions [mm]	length L	width W	height H
	≥ 250	≥ 240	≥ 239
Density $\rho$ [kg/dm <sup>3</sup> ]	≥ 1,6		
Compressive strength $f_b$ [N/mm <sup>2</sup> ]	4 / 6 / 8		
Standard or annex		EN 771-3:2015	



Dimension see also Annex B 19

**Table C97.1:** Installation parameters  
(Pre-positioned anchorage with perforated sleeve FIS H K)

Anchor rod	M6	M8	M6	M8	-	M8	M10	M8	M10	-	M12	M16	M12	M16	M12	M16
Internal threaded anchor FIS E	-	-	-	-	M6	M8	-	-	-	M10	M12	-	-	-	-	-
					11x85					15x85						
Perforated sleeve FIS H K	12x50		12x85		16x85			16x130		20x85			20x130		20x200	
Anchor rod and internal threaded anchor FIS E with perforated sleeve FIS H K																
Max. installation torque $T_{inst}$ [Nm]	4															
<b>General installation parameters</b>																
Edge distance $C_{min}$	130															
Spacing	$S_{min \parallel} = S_{cr \parallel}$ [mm]		250													
	$S_{min \perp} = S_{cr \perp}$		250													
<b>Drilling method</b>																
Hammer drilling with hard metal hammer drill																

**Table C97.2:** Group factors

Anchor rod	M6	M8	M6	M8	-	M8	M10	M8	M10	-	M12	M16	M12	M16	M12	M16		
Internal threaded anchor FIS E	-	-	-	-	M6	M8	-	-	-	M10	M12	-	-	-	-	-		
					11x85					15x85								
Perforated sleeve FIS H K	12x50		12x85		16x85			16x130		20x85			20x130		20x200			
Group factors	$\alpha_{g,N \parallel}$		$\alpha_{g,V \parallel}$		$\alpha_{g,N \perp}$		$\alpha_{g,V \perp}$		[-]								2,0	

fischer injection system FIS V Plus for masonry

**Performance**  
Light-weight concrete solid block Vbl, dimensions, installation parameters

**Annex C 97**

Appendix 123 / 136

## Light-weight concrete solid block Vbl, EN 771-3:2015

**Table C98.1:** Installation parameters  
(Push through anchorage with perforated sleeve FIS H K)

Anchor rod		M10	M12	M16
Perforated sleeve FIS H K		18x130/200		22x130/200
<b>Anchor rod with perforated sleeve FIS H K</b>				
Max. installation torque	$T_{inst}$	[Nm]	2	
<b>General installation parameters</b>				
Edge distance	$c_{min}$	[mm]	130	
Spacing	$s_{min \parallel} = s_{cr \parallel}$		250	
	$s_{min \perp} = s_{cr \perp}$		250	
<b>Drilling method</b>				
Hammer drilling with hard metal hammer drill				

**Table C98.2:** Group factors

Anchor rod		M10	M12	M16
Perforated sleeve FIS H K		18x130/200		22x130/200
Group factors	$\alpha_{g,N \parallel}$	[-]	2,0	
	$\alpha_{g,v \parallel}$			
	$\alpha_{g,N \perp}$			
	$\alpha_{g,v \perp}$			

fischer injection system FIS V Plus for masonry

**Performance**  
Light-weight concrete solid block Vbl, dimensions, installation parameters

**Annex C 98**

Appendix 124 / 136

## Light-weight concrete solid block Vbl, EN 771-3:2015

**Table C99.1:** Characteristic resistance under tension load (Pre-positioned anchorage)

Anchor rod	M6	M8	M6	M8	-	M8	M10	M8	M10	-	M12	M16	M12	M16	M12	M16
Internal threaded anchor FIS E	-		-		M6	M8	-		-		M10	M12	-		-	
					11x85						15x85					
Perforated sleeve FIS H K	12x50		12x85		16x85			16x130		20x85			20x130		20x200	
<b><math>N_{Rk} = N_{Rk,p} = N_{Rk,b}</math> [kN] depending on the compressive strength <math>f_b</math> (temperature range 50/80°C)</b>																
compressive strength $f_b$	use category															
4 N/mm <sup>2</sup>	w/w	w/d	1,2	2,0	2,5					3,0						
	d/d		2,0	3,5	4,0					5,0						
6 N/mm <sup>2</sup>	w/w	w/d	1,5	3,0	4,0					5,0						
	d/d		3,0	5,0	6,5					7,5						
8 N/mm <sup>2</sup>	w/w	w/d	2,0	4,0	5,0					6,5						
	d/d		4,0	7,0	8,5					9,0						

**Table C99.2:** Characteristic resistance under tension load (Push through anchorage)

Anchor rod	M10		M12		M16			
Perforated sleeve FIS H K	18x130/200				22x130/200			
<b><math>N_{Rk} = N_{Rk,p} = N_{Rk,b}</math> [kN] depending on the compressive strength <math>f_b</math> (temperature range 50/80°C)</b>								
compressive strength $f_b$	use category							
4 N/mm <sup>2</sup>	w/w	w/d	2,5				3,0	
	d/d		4,0				5,0	
6 N/mm <sup>2</sup>	w/w	w/d	4,0				5,0	
	d/d		6,5				7,5	
8 N/mm <sup>2</sup>	w/w	w/d	5,0				6,5	
	d/d		8,5				9,0	

Factor for job site tests and displacements see annex C110

Factor for temperature range 72/120°C: 0,83

fischer injection system FIS V Plus for masonry

### Performance

Light-weight concrete solid block Vbl, Characteristic resistance under tension load

**Annex C 99**

Appendix 125 / 136

# Light-weight concrete solid block Vbl, EN 771-3:2015

**Table C100.1:** Characteristic resistance under shear load (Pre-positioned anchorage)

Anchor rod	M6	M8	M6	M8	-	M8	M10	M8	M10	-	M12	M16	M12	M16	M12	M16
Internal threaded anchor FIS E	-		-		M6	M8	-		-		M10	M12	-		-	
					11x85						15x85					
Perforated sleeve FIS H K	12x50		12x85		16x85			16x130		20x85			20x130		20x200	
<b><math>V_{Rk} = V_{Rk,b} = V_{Rk,c}</math> [kN] depending on the compressive strength <math>f_b</math> (temperature range 50/80°C and 72/120°C)</b>																
compressive strength $f_b$	use category															
4 N/mm <sup>2</sup>	w/w	w/d	2,0	3,0	2,0	3,0	2,0	3,5			4,5					
	d/d															
6 N/mm <sup>2</sup>	w/w	w/d	3,0	4,5	3,0	4,5	3,0	5,5			6,5					
	d/d															
8 N/mm <sup>2</sup>	w/w	w/d	4,0	6,0	4,0	6,0	4,0	7,0			8,5					
	d/d															

**Table C100.2:** Characteristic resistance under shear load (Push through anchorage)

Anchor rod	M10				M12				M16			
Perforated sleeve FIS H K	18x130/200								22x130/200			
<b><math>V_{Rk} = V_{Rk,b} = V_{Rk,c}</math> [kN] depending on the compressive strength <math>f_b</math> (temperature range 50/80°C and 72/120°C)</b>												
compressive strength $f_b$	use category											
4 N/mm <sup>2</sup>	w/w	w/d	3,5					4,5				
	d/d											
6 N/mm <sup>2</sup>	w/w	w/d	5,5					6,5				
	d/d											
8 N/mm <sup>2</sup>	w/w	w/d	7,0					8,5				
	d/d											

Factor for job site tests and displacements see annex C110

fischer injection system FIS V Plus for masonry

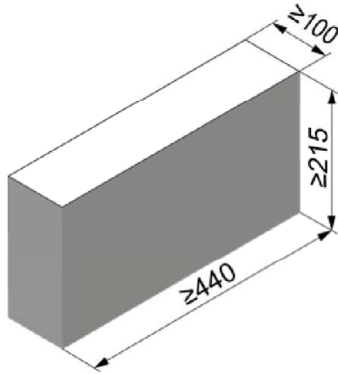
**Performance**  
Light-weight concrete solid block Vbl, Characteristic resistance under shear load

**Annex C 100**

Appendix 126 / 136



## Light-weight concrete solid block Vbl, EN 771-3:2015



Light-weight concrete solid block Vbl, EN 771-3:2015			
Producer		Roadstone wood	
Nominal dimensions [mm]		length L	width W
		height H	
Density $\rho$ [kg/dm <sup>3</sup> ]		≥ 2,0	
Compressive strength $f_b$ [N/mm <sup>2</sup> ]		4 / 6 / 8 / 10	
Standard or annex		EN 771-3:2015	

**Table C101.1:** Installation parameters

Anchor rod		M6	M8	M10	M12	M16
<b>Anchor rod without perforated sleeve</b>						
Effective anchorage depth	$h_{ef}$ [mm]	50	70	50	70	50
Max. installation torque	$T_{inst}$ [Nm]	4		10		
<b>General installation parameters</b>						
Edge distance	$c_{min}$	100				
Spacing	$s_{min \parallel}$	75				
	$s_{cr \parallel}$	3x $h_{ef}$				
	$s_{min \perp}$	75				
	$s_{cr \perp}$	3x $h_{ef}$				
<b>Drilling method</b>						
Hammer drilling with hard metal hammer drill						

**Table C101.2:** Group factors

Anchor rod		M6	M8	M10	M12	M16
Group factors	$\alpha_{g,N \parallel}$	1,6				
	$\alpha_{g,v \parallel}$	1,3				
	$\alpha_{g,N \perp}$	1,4				
	$\alpha_{g,v \perp}$	1,3				

fischer injection system FIS V Plus for masonry

**Performance**

Light-weight concrete solid block Vbl, dimensions, installation parameters

**Annex C 101**

Appendix 127 / 136

# Light-weight concrete solid block Vbl, EN 771-3:2015

**Table C102.1:** Characteristic resistance under tension load

Anchor rod		M6	M8	M10	M12	M16
<b><math>N_{Rk} = N_{Rk,p} = N_{Rk,b}</math> [kN] depending on the compressive strength <math>f_b</math> (temperature range 50/80°C)</b>						
compressive strength $f_b$	use category	Effective anchorage depth $h_{ef}$ [mm] ≥ 50				
4 N/mm <sup>2</sup>	w/w	1,2			1,2	
	d/d	2,0			2,0	
6 N/mm <sup>2</sup>	w/w	1,5			2,0	
	d/d	3,0			3,5	
8 N/mm <sup>2</sup>	w/w	2,0			2,5	
	d/d	4,0			4,5	
10N/mm <sup>2</sup>	w/w	3,0			3,5	
	d/d	5,0			5,5	

Factor for temperature range 72/120°C: 0,83

**Table C102.2:** Characteristic resistance under shear load

Anchor rod		M6	M8	M10	M12	M16
<b><math>V_{Rk} = V_{Rk,b} = V_{Rk,c}</math> [kN] depending on the compressive strength <math>f_b</math> (temperature range 50/80°C and 72/120°C)</b>						
compressive strength $f_b$	use category	Effective anchorage depth $h_{ef}$ [mm] ≥ 50				
4 N/mm <sup>2</sup>	w/w	1,2	1,5	1,5	1,5	1,5
	d/d					
6 N/mm <sup>2</sup>	w/w	2,0	2,0	2,5	2,5	2,5
	d/d					
8 N/mm <sup>2</sup>	w/w	2,5	2,5	3,0	3,0	3,5
	d/d					
10N/mm <sup>2</sup>	w/w	3,0	3,5	4,0	4,0	4,5
	d/d					

Factor for job site tests and displacements see annex C110

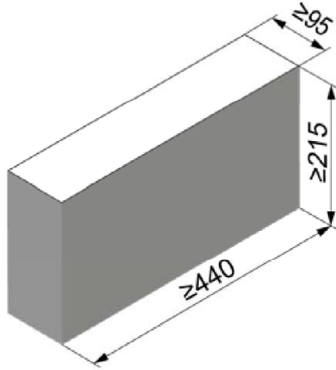
fischer injection system FIS V Plus for masonry

**Performance**

Light-weight concrete solid block Vbl,  
Characteristic resistance under tension and shear load

**Annex C 102**

## Light-weight concrete solid block Vbl, EN 771-3:2015



Light-weight concrete solid block Vbl, EN 771-3:2015			
Producer		Tramac	
Nominal dimensions [mm]	length L	width W	height H
	≥ 440	≥ 95	≥ 215
Density $\rho$ [kg/dm <sup>3</sup> ]	≥ 2,0		
Compressive strength $f_b$ [N/mm <sup>2</sup> ]	6 / 8 / 10 / 12		
Standard or annex	EN 771-3:2015		

**Table C103.1:** Installation parameters

Anchor rod		M6	M8	M10	M12	M16
<b>Anchor rod without perforated sleeve</b>						
Effective anchorage depth $h_{ef}$ [mm]		50	70	50	70	50
Max. installation torque $T_{inst}$ [Nm]		4		10		
<b>General installation parameters</b>						
Edge distance $c_{min}$		60				
Spacing	$s_{min} \parallel$	75				
	$s_{cr} \parallel$	3x $h_{ef}$				
	$s_{min} \perp$	75				
	$s_{cr} \perp$	3x $h_{ef}$				
<b>Drilling method</b>						
Hammer drilling with hard metal hammer drill						

**Table C103.2:** Group factors

Anchor rod		M6	M8	M10	M12	M16
Group factors	$\alpha_{g,N} \parallel$	1,9				
	$\alpha_{g,v} \parallel$	1,4				
	$\alpha_{g,N} \perp$	1,9				
	$\alpha_{g,v} \perp$	1,4				

fischer injection system FIS V Plus for masonry

**Performance**

Light-weight concrete solid block Vbl, dimensions, installation parameters

**Annex C 103**

Appendix 129 / 136

# Light-weight concrete solid block Vbl, EN 771-3:2015

**Table C104.1:** Characteristic resistance under tension load

Anchor rod		M6	M8	M10	M12	M16					
<b><math>N_{Rk} = N_{Rk,p} = N_{Rk,b}</math> [kN] depending on the compressive strength <math>f_b</math> (temperature range 50/80°C)</b>											
compressive strength $f_b$	use category	Effective anchorage depth $h_{ef}$ [mm]									
		50	70	50	70	50	70	50	70	50	70
6 N/mm <sup>2</sup>	w/w   w/d	1,5	2,0	1,5	2,0	1,5	2,0	1,5	2,0	1,5	2,0
	d/d	2,5	3,5	2,5	3,5	2,5	3,5	2,5	3,5	2,5	3,5
8 N/mm <sup>2</sup>	w/w   w/d	2,0	2,5	2,0	2,5	2,0	3,0	2,0	3,0	2,0	3,0
	d/d	3,5	4,5	3,5	4,5	3,5	5,0	3,5	5,0	3,5	5,0
10N/mm <sup>2</sup>	w/w   w/d	2,5	3,5	2,5	3,5	2,5	3,5	2,5	3,5	2,5	3,5
	d/d	4,5	6,0	4,5	6,0	4,5	6,0	4,5	6,0	4,5	6,0
12N/mm <sup>2</sup>	w/w   w/d	3,0	4,0	3,0	4,0	3,0	4,5	3,0	4,5	3,0	4,5
	d/d	5,0	7,0	5,0	7,0	5,0	7,5	5,0	7,5	5,0	7,5

Factor for temperature range 72/120°C: 0,83

**Table C104.2:** Characteristic resistance under shear load

Anchor rod		M6	M8	M10	M12	M16
<b><math>V_{Rk} = V_{Rk,b} = V_{Rk,c}</math> [kN] depending on the compressive strength <math>f_b</math> (temperature range 50/80°C and 72/120°C)</b>						
compressive strength $f_b$	use category	Effective anchorage depth $h_{ef}$ [mm]				
		≥ 50				
6 N/mm <sup>2</sup>	w/w   w/d	2,0	2,0	2,0	1,5	1,5
	d/d					
8 N/mm <sup>2</sup>	w/w   w/d	2,5	2,5	3,0	2,5	2,5
	d/d					
10N/mm <sup>2</sup>	w/w   w/d	3,5	3,5	4,0	3,0	3,0
	d/d					
12N/mm <sup>2</sup>	w/w   w/d	4,0	4,0	4,5	3,5	3,5
	d/d					

Factor for job site tests and displacements see annex C110

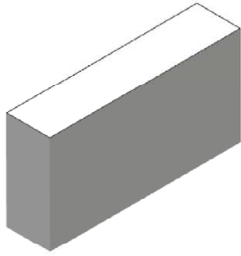
fischer injection system FIS V Plus for masonry

**Performance**

Light-weight concrete solid block Vbl,  
Characteristic resistance under tension and shear load

**Annex C 104**

# Autoclaved aerated concrete (cylindrical drill hole), EN 771-4:2015



Autoclaved aerated concrete, EN 771-4:2015			
Producer	e.g. Ytong		
Density $\rho$ [kg/dm <sup>3</sup> ]	0,35	0,5	0,65
Compressive strength $f_b$ [N/mm <sup>2</sup> ]	2	4	6
Standard or annex	EN 771-4:2015		

**Table C105.1:** Installation parameters

Anchor rod	M6	M8	M10	M12	M16	-	-					
Internal threaded anchor FIS E	-	-	-	-	-	M6	M8	M10	M12			
	11x85		15x85									
<b>Anchor rod and internal threaded anchor FIS E without perforated sleeve</b>												
Effective anchorage depth $h_{ef}$ [mm]	100	200	100	200	100	200	100	200	100	200	85	
Max. installation torque $T_{inst}$ [Nm]	1	4	1	8	2	12	2	16	2	20	1	2
<b>General installation parameters</b>												
Edge distance $c_{min}$	100											
Spacing	$s_{cr \parallel} = s_{min \parallel}$	250										
	$h_{ef}=200mm$ $s_{min \parallel}$ [mm]	80										
	$h_{ef}=200mm$ $s_{cr \parallel}$	3x $h_{ef}$										
	$s_{cr \perp} = s_{min \perp}$	250										
	$h_{ef}=200mm$ $s_{min \perp}$	80										
	$h_{ef}=200mm$ $s_{cr \perp}$	3x $h_{ef}$										
<b>Drilling method</b>												
Hammer drilling with hard metal hammer drill												
fischer injection system FIS V Plus for masonry												

**Performance**  
Autoclaved aerated concrete (cylindrical drill hole), dimensions, installation parameters

**Annex C 105**  
Appendix 131 / 136

**Table C106.1:** Group factors for autoclaved aerated concrete  
(Compressive strength  $f_b = 2 \text{ N/mm}^2$ )

Anchor rod		M6	M8	M10	M12	M16	-		-	
Internal threaded anchor FIS E		-	-	-	-	-	M6	M8	M10	M12
							11x85		15x85	
Group factors	$h_{ef}=200 \alpha_{g,N} \parallel$	[-]	1,6				- <sup>1)</sup>		- <sup>1)</sup>	
	$h_{ef}=200 \alpha_{g,V} \parallel$		1,1				- <sup>1)</sup>		- <sup>1)</sup>	
	$\alpha_{g,N} \parallel, \alpha_{g,V} \parallel$		2							
	$h_{ef}=200 \alpha_{g,N} \perp$		1,6				- <sup>1)</sup>		- <sup>1)</sup>	
	$h_{ef}=200 \alpha_{g,V} \perp$		0,8				- <sup>1)</sup>		- <sup>1)</sup>	
	$\alpha_{g,N} \perp, \alpha_{g,V} \perp$		2							

<sup>1)</sup> No performance assessed

**Table C106.2:** Group factors for autoclaved aerated concrete  
(Compressive strength  $f_b = 4 \text{ N/mm}^2$ )

Anchor rod		M6	M8	M10	M12	M16	-		-	
Internal threaded anchor FIS E		-	-	-	-	-	M6	M8	M10	M12
							11x85		15x85	
Group factors	$h_{ef}=200 \alpha_{g,N} \parallel$	[-]	0,7				- <sup>1)</sup>		- <sup>1)</sup>	
	$h_{ef}=200 \alpha_{g,V} \parallel$		2,0				- <sup>1)</sup>		- <sup>1)</sup>	
	$\alpha_{g,N} \parallel, \alpha_{g,V} \parallel$		2							
	$h_{ef}=200 \alpha_{g,N} \perp$		0,7				- <sup>1)</sup>		- <sup>1)</sup>	
	$h_{ef}=200 \alpha_{g,V} \perp$		1,2				- <sup>1)</sup>		- <sup>1)</sup>	
	$\alpha_{g,N} \perp, \alpha_{g,V} \perp$		2							

<sup>1)</sup> No performance assessed

**Table C106.3:** Group factors for autoclaved aerated concrete  
(Compressive strength  $f_b = 6 \text{ N/mm}^2$ )

Anchor rod		M6	M8	M10	M12	M16	-		-	
Internal threaded anchor FIS E		-	-	-	-	-	M6	M8	M10	M12
							11x85		15x85	
Group factors	$h_{ef}=200 \alpha_{g,N} \parallel$	[-]	0,7				- <sup>1)</sup>		- <sup>1)</sup>	
	$h_{ef}=200 \alpha_{g,V} \parallel$		2,0				- <sup>1)</sup>		- <sup>1)</sup>	
	$\alpha_{g,N} \parallel, \alpha_{g,V} \parallel$		2							
	$h_{ef}=200 \alpha_{g,N} \perp$		0,7				- <sup>1)</sup>		- <sup>1)</sup>	
	$h_{ef}=200 \alpha_{g,V} \perp$		1,2				- <sup>1)</sup>		- <sup>1)</sup>	
	$\alpha_{g,N} \perp, \alpha_{g,V} \perp$		2							

<sup>1)</sup> No performance assessed

fischer injection system FIS V Plus for masonry

**Performance**  
Autoclaved aerated concrete (cylindrical drill hole), Group factors

**Annex C 106**

Appendix 132 / 136

# Autoclaved aerated concrete (cylindrical drill hole), EN 771-4:2015

**Table C107.1:** Characteristic resistance under tension load

Anchor rod		M6		M8		M10		M12		M16		-		-	
Internal threaded anchor FIS E		-		-		-		-		-		M6	M8	M10	M12
												11x85		15x85	
<b><math>N_{Rk} = N_{Rk,p} = N_{Rk,b}</math> [kN] depending on the compressive strength <math>f_b</math> (temperature range 50/80°C)</b>															
compressive strength $f_b$	use category		Effective anchorage depth $h_{ef}$ [mm]												
			100	200	100	200	100	200	100	200	100	200	85		
2 N/mm <sup>2</sup>	w/w	w/d	1,2	1,2	1,5	2,0	1,5	3,0	1,5	3,0	2,0	3,0	1,5	1,5	
	d/d		1,5	3,0	1,5	3,0	1,5	3,5	2,0	4,0	2,0	4,0	1,5	1,5	
4 N/mm <sup>2</sup>	w/w	w/d	1,2	- <sup>1)</sup>	2,0	1,5	2,5	3,5	2,5	3,5	2,0	3,5	2,0	1,5	
	d/d		1,5	- <sup>1)</sup>	2,0	3,0	3,0	5,0	2,5	5,0	2,0	5,0	2,0	1,5	
6 N/mm <sup>2</sup>	w/w	w/d	1,5	- <sup>1)</sup>	3,0	2,5	4,5	5,0	4,5	7,0	3,0	8,5	3,5	2,5	
	d/d		1,5	- <sup>1)</sup>	3,5	4,0	5,0	7,0	5,0	9,0	3,0	11,5	3,5	2,5	

<sup>1)</sup> No performance assessed

Factor for temperature range 72/120°C: 0,83

**Table C107.2:** Characteristic resistance under shear load

Anchor rod		M6		M8		M10		M12		M16		-		-	
Internal threaded anchor FIS E		-		-		-		-		-		M6	M8	M10	M12
												11x85		15x85	
<b><math>V_{Rk} = V_{Rk,b} = V_{Rk,c}</math> [kN] depending on the compressive strength <math>f_b</math> (temperature range 50/80°C and 72/120°C)</b>															
compressive strength $f_b$	use category		Effective anchorage depth $h_{ef}$ [mm]												
			100	200	100	200	100	200	100	200	100	200	85		
2 N/mm <sup>2</sup>	w/w	w/d	1,2	1,2	1,2	1,2	1,2	1,2	1,5	1,2	1,2	1,2	1,2		1,5
	d/d														
4 N/mm <sup>2</sup>	w/w	w/d	2,0	- <sup>1)</sup>	2,5	2,0	2,0	2,0	2,5	2,0	2,0	2,0	2,0		2,5
	d/d														
6 N/mm <sup>2</sup>	w/w	w/d	2,5	- <sup>1)</sup>	3,0	2,5	3,0	3,0	3,5	4,0	4,5	4,5	2,5		3,5
	d/d														

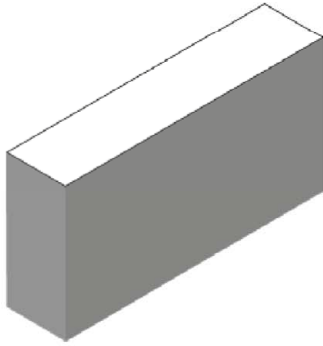
<sup>1)</sup> No performance assessed

Factor for job site tests and displacements see annex C110

fischer injection system FIS V Plus for masonry	<b>Annex C 107</b> Appendix 133 / 136
<b>Performance</b> Autoclaved aerated concrete (cylindrical drill hole), Characteristic resistance under tension and shear load	

# Autoclaved aerated concrete (conical drill hole with special drill bit PBB),

EN 771-4:2015



Autoclaved aerated concrete, EN 771-4:2015				
Producer		e.g. Ytong		
Density $\rho$	[kg/dm <sup>3</sup> ]	0,35	0,5	0,65
Compressive strength $f_b$	[N/mm <sup>2</sup> ]	2	4	6
Standard or annex		EN 771-4:2015		

**Table C108.1:** Installation parameters

Anchor rod		M8		M10		M12		-
Internal threaded anchor FIS E		-	-	-	-	-	-	M6   M8 11x85
<b>Anchor rod and internal threaded anchor FIS E without perforated sleeve</b>								
Effective anchorage depth	$h_{ef}$ [mm]	75	95	75	95	75	95	85
Max. installation torque	$T_{inst}$ [Nm]	2						
<b>General installation parameters</b>								
Edge distance	$c_{min}$ [mm]	120	150	120	150	120	150	150
Spacing	$s_{cr \parallel} = s_{min \parallel}$ [mm]	240	300	240	300	240	300	300
	$s_{cr \perp} = s_{min \perp}$ [mm]	240	250	240	250	240	250	250
<b>Drilling method</b>								
Hammer drilling with hard metal hammer drill								

**Table C108.2:** Group factors

Anchor rod		M8		M10		M12		-
Internal threaded anchor FIS E		-	-	-	-	-	-	M6   M8 11x85
Group factors	$\alpha_{g,N \parallel}$	[-]	2					
	$\alpha_{g,V \parallel}$							
	$\alpha_{g,N \perp}$							
	$\alpha_{g,V \perp}$							

fischer injection system FIS V Plus for masonry

**Performance**

Autoclaved aerated concrete (conical drill hole with special drill bit PBB), dimensions, installation parameters

**Annex C 108**

Appendix 134 / 136



# Autoclaved aerated concrete (conical drill hole with special drill bit PBB),

EN 771-4:2015

**Table C109.1:** Characteristic resistance under tension load

Anchor rod		M8		M10		M12		-	
Internal threaded anchor FIS E		-	-	-	-	-	-	M6	M8
		11x85							
<b><math>N_{Rk} = N_{Rk,p} = N_{Rk,b}</math> [kN] depending on the compressive strength <math>f_b</math> (temperature range 50/80°C)</b>									
compressive strength $f_b$	use category	Effective anchorage depth $h_{ef}$ [mm]							
		75	95	75	95	75	95	85	
2 N/mm <sup>2</sup>	w/w	2,0	2,5	2,0	2,5	2,0	2,5	2,0	2,0
	d/d	2,0	2,5	2,0	2,5	2,0	2,5	2,0	2,0
4 N/mm <sup>2</sup>	w/w	3,0	3,5	3,0	3,5	3,0	3,5	3,0	3,0
	d/d	3,0	3,5	3,0	3,5	3,0	3,5	3,0	3,0
6 N/mm <sup>2</sup>	w/w	3,5	4,0	3,5	4,0	3,5	4,0	3,5	3,5
	d/d	4,0	4,5	4,0	4,5	4,0	4,5	4,0	4,0

Factor for temperature range 72/120°C: 0,83

**Table C109.2:** Characteristic resistance under shear load

Anchor rod		M8		M10		M12		-	
Internal threaded anchor FIS E		-	-	-	-	-	-	M6	M8
		11x85							
<b><math>V_{Rk} = V_{Rk,b} = V_{Rk,c}</math> [kN] depending on the compressive strength <math>f_b</math> (temperature range 50/80°C and 72/120°C)</b>									
compressive strength $f_b$	use category	Effective anchorage depth $h_{ef}$ [mm]							
		75	95	75	95	75	95	85	
2 N/mm <sup>2</sup>	w/w	2,5							
	d/d								
4 N/mm <sup>2</sup>	w/w	4,5							
	d/d								
6 N/mm <sup>2</sup>	w/w	6,0							
	d/d								

Factor for job site tests and displacements see annex C110

fischer injection system FIS V Plus for masonry

**Performance**

Autoclaved aerated concrete (conical drill hole with special drill bit PBB),  
Characteristic resistance under tension and shear load

**Annex C 109**

Appendix 135 / 136

## β-factors for job site tests; displacements

**Table C110.1:** β-factors for job site tests

use category		w/w and w/d		d/d	
temperature range		50/80	72/120	50/80	72/120
Material	Size				
solid units	M6	0,55	0,46	0,96	0,80
	M8	0,57	0,51		
	M10	0,59	0,52		
	M12 FIS E 11x85	0,6	0,54		
	M16 FIS E 15x85	0,62	0,52		
	FIS H 16x85 K	0,55	0,46		
hollow units	all sizes	0,86	0,72	0,96	0,8
Autoclaved aerated concrete cylindrical drill hole	all sizes	0,73	0,73	0,81	0,81
Autoclaved aerated concrete conical drill hole	all sizes	0,66	0,59	0,73	0,66

**Table C110.2:** Displacements

Material	N [kN]	δN <sub>0</sub> [mm]	δN <sub>∞</sub> [mm]	V [kN]	δV <sub>0</sub> [mm]	δV <sub>∞</sub> [mm]
solid units and autoclaved aerated concrete h <sub>ef</sub> =100mm	$\frac{N_{Rk}}{1,4 * \gamma_{Mm}}$	0,03	0,06	$\frac{V_{Rk}}{1,4 * \gamma_{Mm}}$	0,82	0,88
hollow units	$\frac{N_{Rk}}{1,4 * \gamma_{Mm}}$	0,48	0,06	$\frac{V_{Rk}}{1,4 * \gamma_{Mm}}$	1,71	2,56
solid brick Mz NF annex C 4 - C 7	$\frac{N_{Rk}}{1,4 * \gamma_{Mm}}$	0,74	1,48	$\frac{V_{Rk}}{1,4 * \gamma_{Mm}}$	1,23	1,85
solid brick KS NF annex C 14 / C 15	$\frac{N_{Rk}}{1,4 * \gamma_{Mm}}$	0,2	0,4	$\frac{V_{Rk}}{1,4 * \gamma_{Mm}}$	0,91	1,37
AAC h <sub>ef</sub> =200 mm annex C 105 - C 107	$\frac{N_{Rk}}{1,4 * \gamma_{Mm}}$	1,03	2,06	$\frac{V_{Rk}}{1,4 * \gamma_{Mm}}$	1,25	1,88
brick Annex C 89 / C 90	$\frac{N_{Rk}}{1,4 * \gamma_{Mm}}$	0,03	0,06	$\frac{V_{Rk}}{1,4 * \gamma_{Mm}}$	6,44	9,66

For anchorage in autoclaved aerated concrete, the partial factor  $\gamma_{MAAC}$  shall be used instead of  $\gamma_{Mm}$ .

fischer injection system FIS V Plus for masonry

**Performance**  
β-factors for job site tests; displacements

**Annex C 110**

Appendix 136 / 136



## DECLARATION OF PERFORMANCE

### DoP 0233

for fischer injection system FIS V Plus Plus (Mortar for postinstalled rebar connections)

EN

1. Unique identification code of the product-type: **DoP 0233**
2. Intended use/es: **System for post-installed rebar connection with mortar for use in concrete.**
3. Manufacturer: **See appendix, especially annexes B1- B11  
fischerwerke GmbH & Co. KG, Otto-Hahn-Straße 15, 79211 Denzlingen, Germany**
4. Authorised representative: **-**
5. System/s of AVCP: **1**
6. European Assessment Document: **EAD 330087-00-0601, Edition 05/2018**  
European Technical Assessment: **ETA-20/0728; 2020-11-13**  
Technical Assessment Body: **DIBt- Deutsches Institut für Bautechnik**  
Notified body/ies: **2873 TU Darmstadt**
7. Declared performance/s:  
**Mechanical resistance and stability (BWR 1)**  
Characteristic resistance to tension load (static and quasi-static loading):  
Bond strength of post-installed rebar: Annex C1  
Reduction factor: Annex C1  
Amplification factor for minimum anchorage length: Annex C1

### Safety in case of fire (BWR 2)

- Reaction to fire: Class (A1)  
Resistance to fire: Bond strength at increased temperature: Annex C3



8. Appropriate Technical Documentation and/or  
Specific Technical Documentation:

-

The performance of the product identified above is in conformity with the set of declared performance/s. This declaration of performance is issued, in accordance with Regulation (EU) No 305/2011, under the sole responsibility of the manufacturer identified above.

Signed for and on behalf of the manufacturer by:

Dr. Oliver Geibig, Managing Director Business Units & Engineering  
Tumlingen, 2020-11-27

Jürgen Grün, Managing Director Chemistry & Quality

This DoP has been prepared in different languages. In case there is a dispute on the interpretation the English version shall always prevail.

The Appendix includes voluntary and complementary information in English language exceeding the (language-neutrally specified) legal requirements.

## Specific Part

### 1 Technical description of the product

The subject of this European Technical Assessment is the post-installed connection, by anchoring or overlap connection joint, of reinforcing bars (rebars) in existing structures made of normal weight concrete, using the "Rebar connection with fischer injection mortar FIS V Plus" in accordance with the regulations for reinforced concrete construction.

Reinforcing bars with a diameter  $\phi$  from 8 to 28 mm or the fischer rebar anchor FRA of sizes M12 to M24 according to Annex A and the fischer injection mortar FIS V Plus or FIS VS Plus Low Speed are used for the post-installed rebar connection. The steel element is placed into a drilled hole filled with injection mortar and is anchored via the bond between embedded reinforcing bar, injection mortar and concrete.

The product description is given in Annex A.

### 2 Specification of the intended use in accordance with the applicable European assessment Document

The performances given in Section 3 are only valid if the anchor is used in compliance with the specifications and conditions given in Annex B.

The verifications and assessment methods on which this European Technical Assessment is based lead to the assumption of a working life of the rebar connection of at least 50 years. The indications given on the working life cannot be interpreted as a guarantee given by the producer, but are to be regarded only as a means for choosing the right products in relation to the expected economically reasonable working life of the works.

### 3 Performance of the product and references to the methods used for its assessment

#### 3.1 Mechanical resistance and stability (BWR 1)

Essential characteristic	Performance
Characteristic resistance under static and quasi-static loading	See Annex C 1

#### 3.2 Safety in case of fire (BWR 2)

Essential characteristic	Performance
Reaction to fire	Class A1
Resistance to fire	See Annex C 2 and C 3

### 4 Assessment and verification of constancy of performance (AVCP) system applied, with reference to its legal base

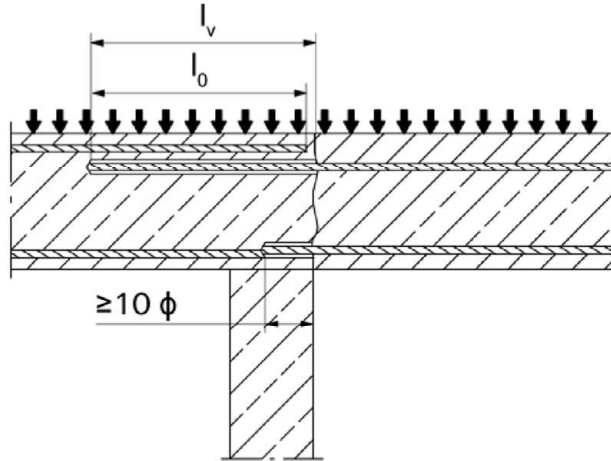
In accordance with European Assessment Document EAD No. 330087-00-0601, the applicable European legal act is: [96/582/EC].

The system(s) to be applied is (are): 1

# Installation conditions and application examples reinforcing bars, part 1

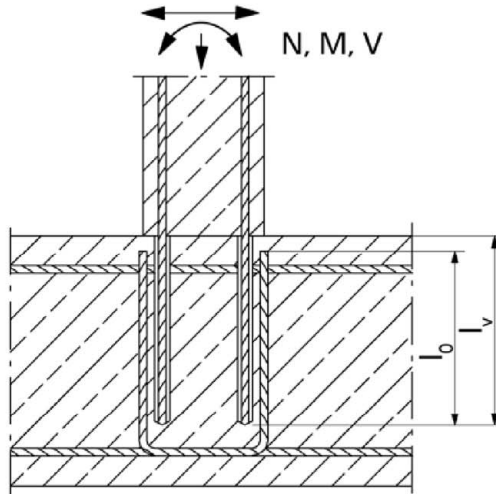
**Figure A1.1:**

Overlap joint with existing reinforcement for rebar connections of slabs and beams



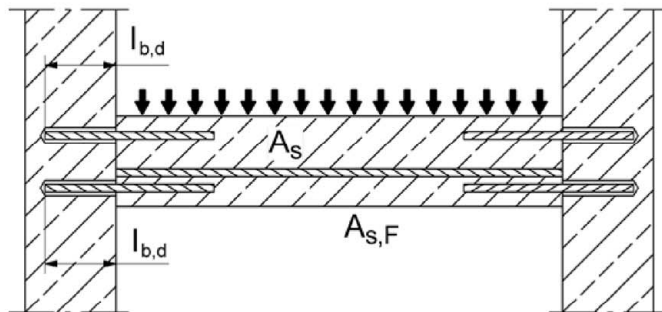
**Figure A1.2:**

Overlap joint with existing reinforcement at a foundation of a column or wall where the rebar is stressed



**Figure A1.3:**

End anchoring of slabs or beams (e.g. designed as simply supported)



Figures not to scale

Rebar connection with fischer injection mortar FIS V Plus

**Product description**

Installation conditions and application examples reinforcing bars, part 1

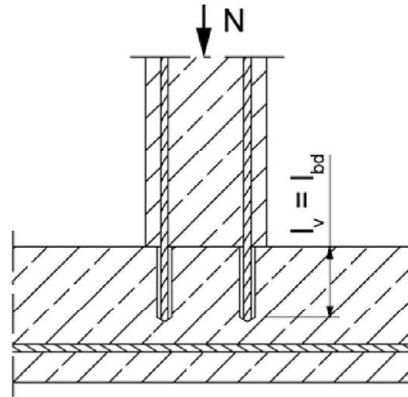
**Annex A 1**

Appendix 2 / 21

## Installation conditions and application examples reinforcing bars, part 2

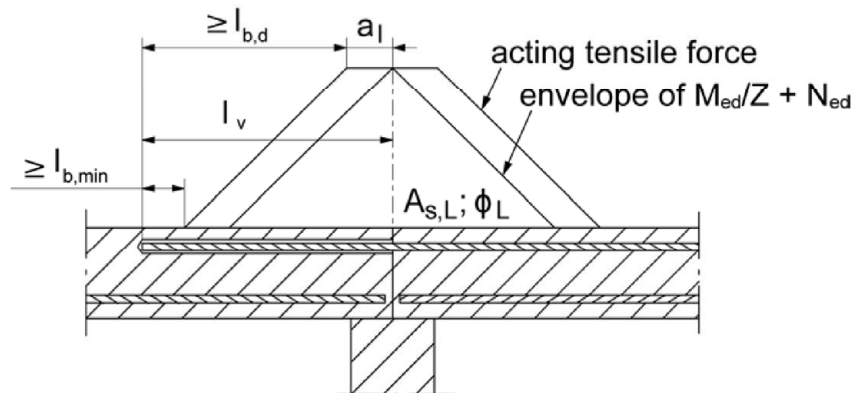
**Figure A2.1:**

Rebar connection for stressed primarily in compression



**Figure A2.2:**

Anchoring of reinforcement to cover the enveloped line of acting tensile force in the bending member



Note to **figure A1.1 to A1.3** and **figure A2.1 to A2.2**

In the figures no traverse reinforcement is plotted, the traverse reinforcement shall comply with EN 1992-1-1: 2004+AC:2010.

Preparing of joints according to **Annex B 2**

Figures not to scale

Rebar connection with fischer injection mortar FIS V Plus

**Product description**

Installation conditions and application examples reinforcing bars, part 2

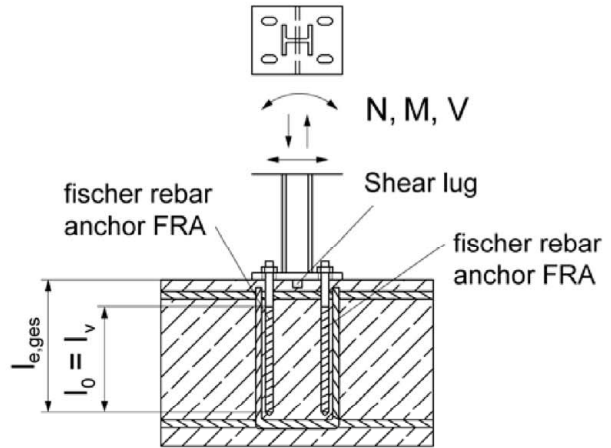
**Annex A 2**

Appendix 3 / 21

# Installation conditions and application examples fischer rebar anchor FRA, part 3

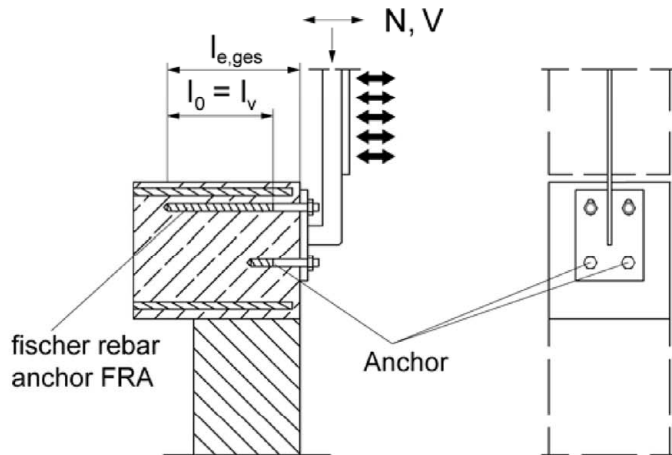
**Figure A3.1:**

Lap to a foundation of a column under bending.



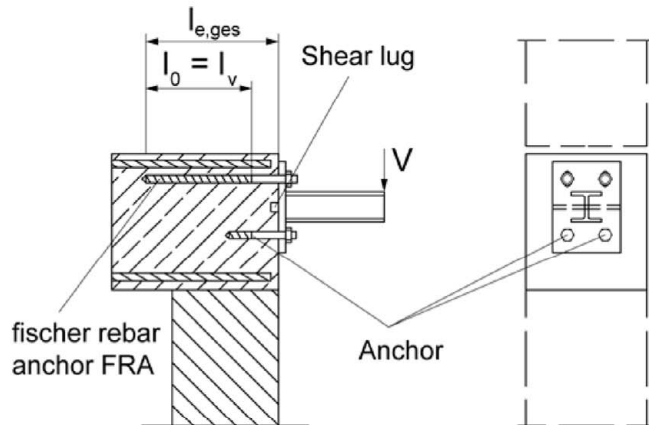
**Figure A3.2:**

Lap of the anchoring of guardrail posts. In the anchor plate, the drill holes for the fischer rebar anchors FRA have to be designed as slotted holes with axial direction to the shear force.



**Figure A3.3:**

Lap of the anchoring of cantilevered building components. In the anchor plate, the drill holes for the fischer rebar anchors FRA have to be designed as slotted holes with axial direction to the shear load.



The required transverse reinforcement acc. to EN 1992-1-1:2004+AC:2010 is not shown in the figures. **The fischer rebar anchor FRA may be only used for axial tensile force.** The tensile force must be transferred by lap to the existing reinforcement of the building. The transfer of the shear force has to be ensured by suitable measure, e.g. by means of shear force or anchors with European Technical Assessment (ETA)

Figures not to scale

Rebar connection with fischer injection mortar FIS V Plus

**Product description**

Installation conditions and application examples fischer rebar anchors FRA, part 3

**Annex A 3**

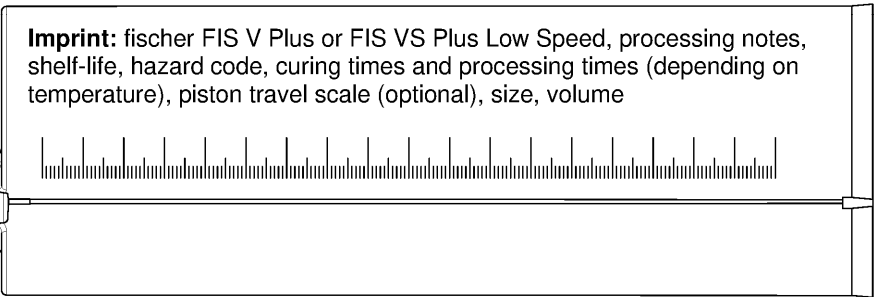
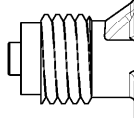
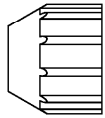
Appendix 4 / 21



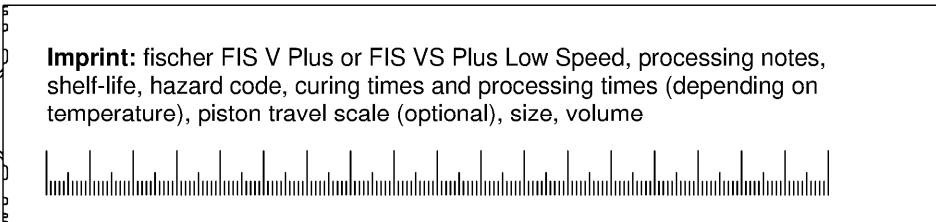
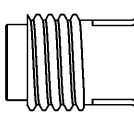
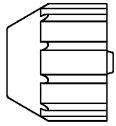
## Overview system components

### Injection cartridge (shuttle cartridge) FIS V Plus with sealing cap

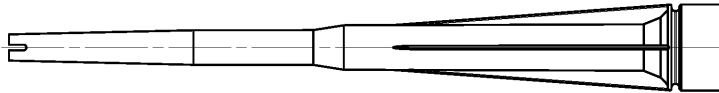
Sizes: 350ml, 360 ml, 390 ml, 585 ml, 950 ml, 1500 ml



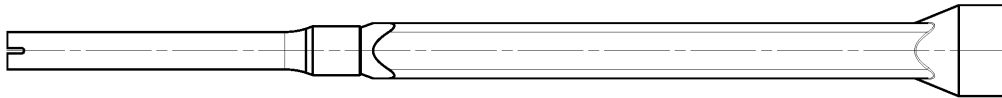
### Injection cartridge (coaxial cartridge) FIS V Plus with sealing cap; Sizes: 300 ml ,380 ml, 400 ml, 410 ml



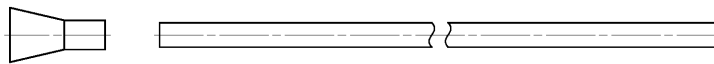
### Static mixer FIS MR Plus for injection cartridges up to 410 ml



### Static mixer FIS UMR for injection cartridges from 585 ml



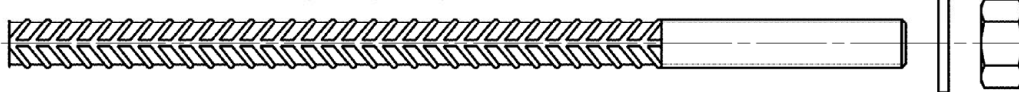
### Injection adapter and extension tube Ø 9 for static mixer FIS MR Plus; Injection adapter and extension tube Ø 9 or Ø 15 for static mixer FIS UMR



### Reinforcing bar (rebar) Sizes: $\phi 8$ , $\phi 10$ , $\phi 12$ , $\phi 14$ , $\phi 16$ , $\phi 20$ , $\phi 25$ , $\phi 28$



### fischer rebar anchor FRA Sizes: M12, M16, M20, M24



### Blow out pump ABP



Figures not to scale

Rebar connection with fischer injection mortar FIS V Plus

### Product description

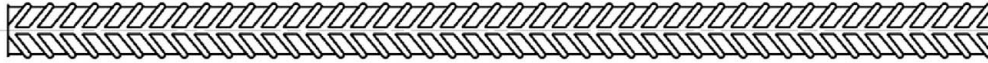
Overview system components; Injection mortar, static mixer, injection adapter, reinforcing bar, rebar anchor FRA, blow out pump

**Annex A 4**

Appendix 5 / 21

## Properties of reinforcing bars (rebar)

Figure A5.1:



- The minimum value of related rip area  $f_{R,min}$  according to EN 1992-1-1:2004+AC:2010
- The maximum outer rebar diameter over the rips shall be:
  - The nominal diameter of the rip  $\phi + 2 * h$  ( $h \leq 0,07 * \phi$ )
  - ( $\phi$ : Nominal diameter of the bar;  $h$ : rip height of the bar)

Table A5.1: Installation conditions for rebars

Nominal diameter of the bar		$\phi$	8 <sup>1)</sup>		10 <sup>1)</sup>		12 <sup>1)</sup>		14	16	20	25		28
Nominal drill hole diameter	$d_0$	[mm]	10	12	12	14	14	16	18	20	25	30	35	35
Drill hole depth	$h_0$		$h_0 = l_v$											
Effective embedment depth	$l_v$		acc. to static calculation											
Minimum thickness of concrete member	$h_{min}$		$l_v + 30$ ( $\geq 100$ )						$l_v + 2d_0$					

<sup>1)</sup> Both drill hole diameters can be used

Table A5.2: Materials of rebars

Designation	Reinforcing bar (rebar)
Reinforcing bar EN 1992-1-1:2004+AC:2010, Annex C	Bars and de-coiled rods class B or C with $f_{yk}$ and $k$ according to NDP or NCL of EN 1992-1-1/NA:2013 $f_{uk} = f_{tk} = k \cdot f_{yk}$

Figures not to scale

Rebar connection with fischer injection mortar FIS V Plus

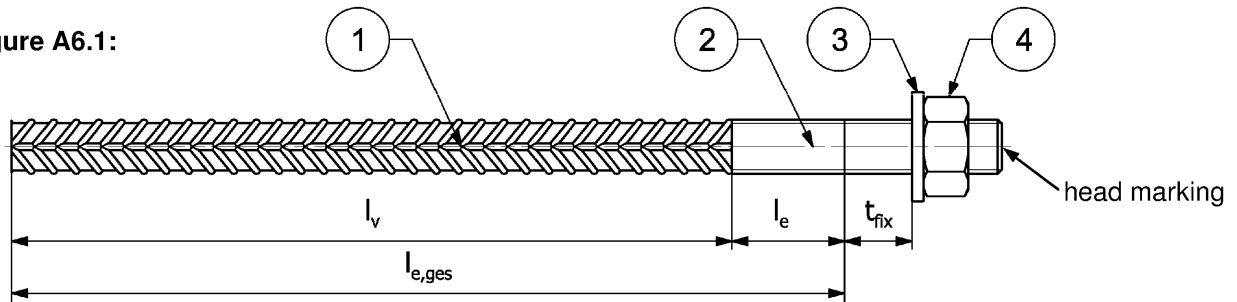
**Product description**  
Properties and materials of reinforcing bars (rebar)

**Annex A 5**

Appendix 6 / 21

## Properties of fischer rebar anchor FRA

Figure A6.1:



Head marking e.g.:  FRA (for stainless steel)

 FRA HCR (for high corrosion-resistant steel)

Table A6.1: Installation conditions for fischer rebar anchors FRA

Threaded diameter		M12	M16	M20	M24	
Nominal diameter	$\phi$ [mm]	12	16	20	25	
Width across flat	SW [mm]	19	24	30	36	
Nominal drill bit diameter	$d_0$ [mm]	14 <sup>2)</sup>   16	20	25	30	35
Drill hole depth ( $h_0 = l_{e,ges}$ )	$l_{e,ges}$ [mm]	$l_v + l_e$				
Effective embedment depth	$l_v$ [mm]	acc. to static calculation				
Distance concrete surface to welded joint	$l_e$ [mm]	100				
Diameter of clearance hole in the fixture <sup>1)</sup>	Pre-positioned $\leq d_f$ [mm]	14	18	22	26	
	Push through $\leq d_f$ [mm]	18	22	26	32	
Minimum thickness of concrete member	$h_{min}$ [mm]	$h_0+30$ ( $\geq 100$ )	$h_0 + 2d_0$			
Maximum torque moment for attachment of the fixture	$\max T_{fix}$ [Nm]	50	100	150	150	

<sup>1)</sup> For bigger clearance holes in the fixture see EN 1992-4:2018

<sup>2)</sup> Both drill bit diameters can be used

Table A6.2: Materials of fischer rebar anchors FRA

Part	Description	Materials	
		FRA	FRA HCR
1	Reinforcing bar	B500B acc. to DIN 488-1:2009	
2	Round bar with partial or full thread	Stainless steel acc. to EN 10088-1:2014	High corrosion-resistant steel acc. to EN 10088-1:2014
3	Washer	Stainless steel acc. to EN 10088-1:2014	High corrosion-resistant steel acc. to EN 10088-1:2014
4	Hexagon nut	Stainless steel acc. to EN 10088-1:2014, strength class 80; acc. to EN ISO 3506:2009	High corrosion-resistant steel acc. to EN 10088-1:2014, strength class 80; acc. to EN ISO 3506:2009

Figures not to scale

Rebar connection with fischer injection mortar FIS V Plus


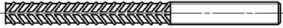


**Product description**  
Properties and materials of fischer rebar anchors FRA

**Annex A 6**

Appendix 7 / 21

# Specifications of intended use (part 1)

**Table B1.1:** Overview use and performance categories

Anchorages subject to		FIS V Plus with ...			
		Reinforcing bar 		fischer rebar anchor FRA 	
Hammer drilling with standard drill bit 		all sizes			
Hammer drilling with hollow drill bit (fischer "FHD", Heller "Duster Expert"; Bosch „Speed Clean“; Hilti "TE-CD, TE-YD") 		Nominal drill bit diameter ( $d_0$ ) 12 mm to 35 mm			
Static and quasi static load, in	uncracked concrete	all sizes	Tables: C1.1 C1.2 C1.3	all sizes	Tables: C1.1 C1.2 C1.3
	cracked concrete				
Installation temperature	$T_{i,min} = 0\text{ °C}$ to $T_{i,max} = +40\text{ °C}$				
Fire exposure	all sizes	Annex C3	all sizes	Annex C2	
Rebar connection with fischer injection mortar FIS V Plus					<p><b>Annex B 1</b></p> <p>Appendix 8 / 21</p>
Intended use Specifications (part 1)					

## Specifications of intended use

### Anchorage subject to:

- Static and quasi-static loads: reinforcing bar (rebar) size 8 mm to 28 mm
- Fire exposure

### Base materials:

- Compacted reinforced or unreinforced normal weight concrete without fibres according to EN 206:2013+A1:2016
- Strength classes C12/15 to C50/60 according to EN 206:2013+A1:2016
- Maximum chloride content of 0,40 % (CL 0.40) related to the cement content according to EN 206:2013+A1:2016
- Non-carbonated concrete

Note: In case of a carbonated surface of the existing concrete structure the carbonated layer shall be removed in the area of the post-installed rebar connection with a diameter of  $\phi + 60$  mm prior to the installation of the new rebar. The depth of concrete to be removed shall correspond to at least the minimum concrete cover in accordance with EN 1992-1-1 :2004+AC:2010. The foregoing may be neglected if building components are new and not carbonated and if building components are in dry conditions.

### Temperature Range:

- - 40°C to +80°C (max. short term temperature +80°C and max long term temperature +50°C).

### Installation temperature:

- 0 °C to +40 °C

### Use conditions (Environmental conditions) for fischer rebar anchors FRA

- Structures subject to dry internal conditions (fischer rebar anchors FRA and FRA HCR)
- Structures subject to external atmospheric exposure (including industrial and marine environment) and to permanently damp internal condition, if no particular aggressive conditions exist (fischer rebar anchors FRA and FRA HCR)
- Structures subject to external atmospheric exposure and to permanently damp internal condition, if other particular aggressive conditions exist (fischer rebar anchors FRA HCR)

Note: Particular aggressive conditions are e.g. permanent, alternating immersion in seawater or the splash zone of seawater, chloride atmosphere of indoor swimming pools or atmosphere with extreme chemical pollution (e.g. in desulphurization plants or road tunnels where de-icing materials are used).

### Design:

- Anchorages are designed under the responsibility of an engineer experienced in anchorages and concrete work.
- Verifiable calculation notes and drawings are prepared taking account of the forces to be transmitted.
- Design according to EN 1992-1-1:2004+AC:2010 and Annex B 3 and B 4.
- The actual position of the reinforcement in the existing structure shall be determined on the basis of the construction documentation and taken into account when designing.

### Installation:

- Dry or wet concrete
- Water filled holes
- Hole drilling by hammer drill, hollow drill or compressed air drill mode
- Overhead installation allowed
- The installation of post-installed rebar respectively fischer rebar anchor FRA shall be done only by suitable trained installer and under Supervision on site; the conditions under which an installer may be considered as suitable trained and the conditions for Supervision on site are up to the Member States in which the installation is done.
- Check the position of the existing rebars (if the position of existing rebars is not known, it shall be determined using a rebar detector suitable for this purpose as well as on the basis of the construction documentation and then marked on the building component for the overlap joint).

Rebar connection with fischer injection mortar FIS V Plus

Intended use  
Specifications (part 2)

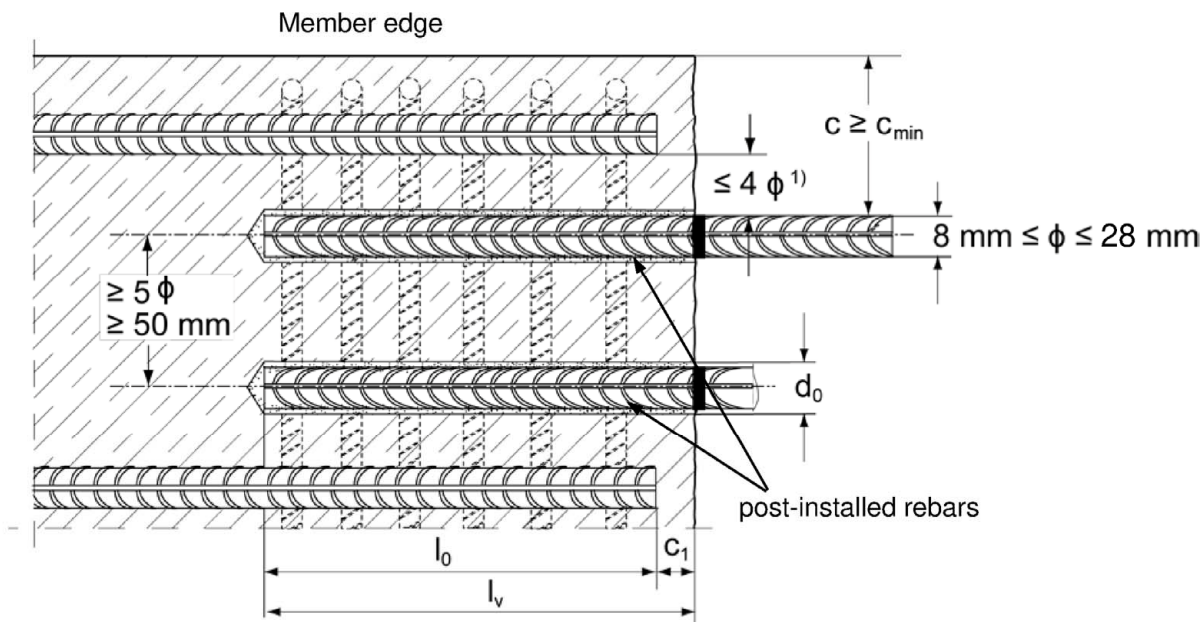
**Annex B 2**

Appendix 9 / 21

## General construction rules for post-installed rebars

**Figure B3.1:**

- Only tension forces in the axis of the rebar may be transmitted.
- The transfer of shear forces between new concrete and existing structure shall be designed additionally according to EN 1992-1-1:2004+AC:2010.
- The joints for concreting must be roughened to at least such an extent that aggregate protrude.



<sup>1)</sup> If the clear distance between lapped bars exceeds  $4\phi$  then the lap length shall be increased by the difference between the clear bar distance and  $4\phi$

- $c$  concrete cover of post-installed rebar  
 $c_1$  concrete cover at end-face of existing rebar  
 $c_{min}$  minimum concrete cover according to table B5.1 and to EN 1992-1-1:2004+AC:2010, Section 4.4.1.2  
 $\phi$  nominal diameter of reinforcing bar  
 $l_0$  lap length, according to EN 1992-1-1:2004+AC:2010  
 $l_v$  effective embedment depth,  $\geq l_0 + c_1$   
 $d_0$  nominal drill bit diameter, see Annex B 6

Figures not to scale

Rebar connection with fischer injection mortar FIS V Plus

**Intended use**  
 General construction rules for post-installed rebars

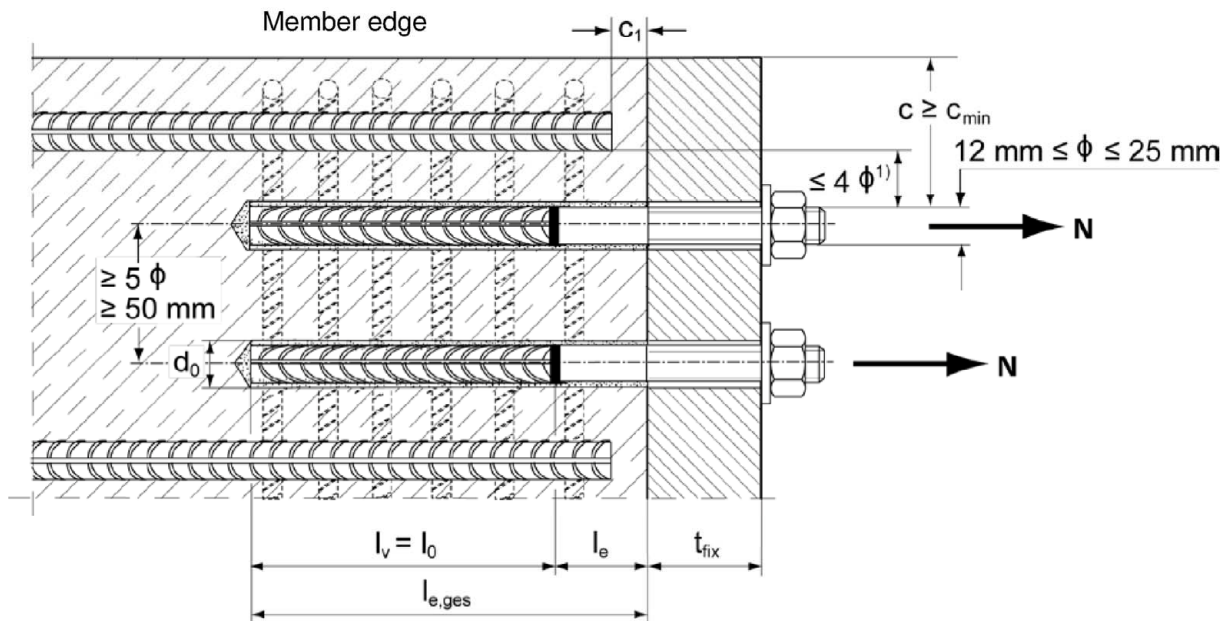
**Annex B 3**

Appendix 10 / 21

## General construction rules for post-installed rebar anchors FRA

Figure B4.1:

- Only tension forces in the axis of the FRA may be transmitted.
- The tension force must be transferred via an overlap joint to the reinforcement in the building part.
- The transmission of the shear load shall be ensured by appropriate additional measures, e.g. by shear lugs or by anchors with a European Technical Assessment (ETA).
- In the anchor plate, the holes for the tension anchor shall be executed as slotted holes with the axis in the direction of the shear force.



<sup>1)</sup> If the clear distance between lapped bars exceeds  $4 \phi$  then the lap length shall be increased by the difference between the clear bar distance and  $4 \phi$ .

c	concrete cover of post-installed rebar anchor FRA
$c_1$	concrete cover at end-face of existing rebar
$c_{min}$	minimum concrete cover according to table B5.1 and to EN 1992-1-1:2004+AC:2010, Section 4.4.1.2
$\phi$	nominal diameter of reinforcing bar
$l_0$	lap length, according to EN 1992-1-1:2004+AC:2010, Section 8.7.3
$l_{e,ges}$	overall embedment depth, $\geq l_0 + l_e$
$d_0$	nominal drill bit diameter, see Annex B 6
$l_e$	length of the bonded in threaded part
$t_{fix}$	thickness of the fixture
$l_v$	effective embedment depth

Figures not to scale

Rebar connection with fischer injection mortar FIS V Plus

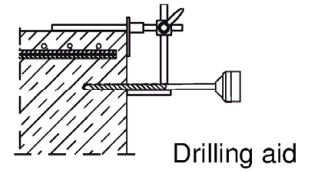
**Intended use**  
General construction rules for post-installed rebar anchors FRA

**Annex B 4**

Appendix 11 / 21

**Table B5.1:** Minimum concrete cover  $c_{min}^{1)}$  depending of the drilling method and the drilling tolerance

Drilling method	nominal diameter of reinforcing bar $\phi$ [mm]	Minimum concrete cover $c_{min}$	
		Without drilling aid [mm]	With drilling aid [mm]
Hammer drilling with standard drill bit	$< 25$	$30 \text{ mm} + 0,06 l_v \geq 2 \phi$	$30 \text{ mm} + 0,02 l_v \geq 2 \phi$
	$\geq 25$	$40 \text{ mm} + 0,06 l_v \geq 2 \phi$	$40 \text{ mm} + 0,02 l_v \geq 2 \phi$
Hammer drilling with hollow drill bit (fischer "FHD", Heller "Duster Expert"; Bosch „Speed Clean“; Hilti "TE-CD, TE-YD")	$< 25$	$30 \text{ mm} + 0,06 l_v \geq 2 \phi$	$30 \text{ mm} + 0,02 l_v \geq 2 \phi$
	$\geq 25$	$40 \text{ mm} + 0,06 l_v \geq 2 \phi$	$40 \text{ mm} + 0,02 l_v \geq 2 \phi$
Compressed air drilling	$< 25$	$50 \text{ mm} + 0,08 l_v$	$50 \text{ mm} + 0,02 l_v$
	$\geq 25$	$60 \text{ mm} + 0,08 l_v \geq 2 \phi$	$60 \text{ mm} + 0,02 l_v \geq 2 \phi$



<sup>1)</sup> See Annex B3, figure B3.1 and Annex B4, figure B4.1

Note: The minimum concrete cover as specified in EN 1992-1-1:2004+AC:2010 must be observed.

**Table B5.2:** Dispensers and cartridge sizes corresponding to maximum embedment depth  $l_{v,max}$

reinforcing bars (rebar)	rebar anchor FRA	Manual dispenser	Accu and pneumatic dispenser (small)	Pneumatic dispenser (large)
		Cartridge size		
$\phi$ [mm]	thread [M]	$< 500 \text{ ml}$	$> 500 \text{ ml}$	
		$l_{v,max} / l_{e,ges,max}$ [mm]		$l_{v,max} / l_{e,ges,max}$ [mm]
8	---	1000	1000	1800
10	---		1200	
12	FRA 12		1500	
14	---		1300	
16	FRA 16	700	1000	2000
20	FRA 20		700	
25	FRA 24	500	700	
28	----			

Rebar connection with fischer injection mortar FIS V Plus

**Intended use**  
Minimum concrete cover;  
dispenser and cartridge sizes corresponding to maximum embedment depth

**Annex B 5**

Appendix 12 / 21



**Table B6.1:** Working times  $t_{work}$  and curing times  $t_{cure}$ 

Temperature in the anchorage base [°C]	Maximum working time <sup>1)</sup> $t_{work}$		Minimum curing time <sup>2)</sup> $t_{cure}$	
	FIS V Plus	FIS VS Plus Low Speed	FIS V Plus	FIS VS Plus Low Speed
>±0 to +5	13 min <sup>3)</sup>	---	3 h	6 h
>+5 to +10	9 min <sup>3)</sup>	20 min	90 min	3 h
>+10 to +20	5 min	10 min	60 min	2 h
>+20 to +30	4 min	6 min	45 min	60 min
>+30 to +40	2 min <sup>4)</sup>	4 min	35 min	30 min

1) Maximum time from the beginning of the injection to rebar / FRA setting and positioning

2) For wet concrete the curing time must be doubled

3) If the temperature in the concrete falls below 10°C the cartridge has to be warmed up to +15°C.

4) If the temperature in the concrete exceeds 30 °C the cartridge has to be cooled down to +15°C up to 20°C

**Table B6.2:** Installation tools for drilling and cleaning the bore hole and injection of the mortar

reinforcing bars (rebar)	rebar anchor FRA	Drilling and cleaning				Injection	
		Nominal drill bit diameter	Diameter of cutting edge	Steel brush diameter	Diameter of cleaning nozzle	Diameter of extension tube	Injection adapter
$\phi$ [mm]	thread [M]	$d_0$ [mm]	$d_{cut}$ [mm]	$d_b$ [mm]	[mm]	[mm]	[colour]
8 <sup>1)</sup>	---	10	$\leq 10,50$	11,0	---	9	---
		12	$\leq 12,50$	12,5			nature
10 <sup>1)</sup>	---	12	$\leq 12,50$	12,5	11	9	blue
		14	$\leq 14,50$	15			red
12 <sup>1)</sup>	FRA 12 <sup>1)</sup>	14	$\leq 14,50$	15	15	9 or 15	yellow
		16	$\leq 16,50$	17			green
14	---	18	$\leq 18,50$	19	19	9 or 15	black
16	FRA 16	20	$\leq 20,55$	21,5			grey
20	FRA 20	25	$\leq 25,55$	26,5	28	9 or 15	brown
		30	$\leq 30,55$	32			grey
25	FRA 24 <sup>1)</sup>	35	$\leq 35,70$	37	28	9 or 15	black
		35	$\leq 35,70$	37			brown

1) Both drill bit diameters can be used

Rebar connection with fischer injection mortar FIS V Plus

**Intended use**

Working times and curing times;

Installation tools for drilling and cleaning the bore hole and injection of the mortar

**Annex B 6**

Appendix 13 / 21

## Safety regulations

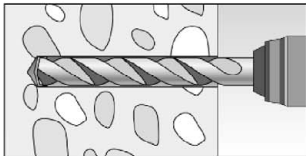
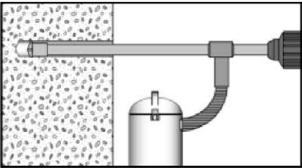
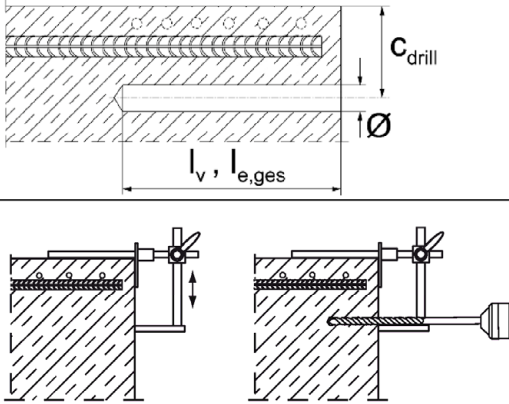


Review the Safety Data Sheet (SDS) before use for proper and safe handling!  
Wear well-fitting protective goggles and protective gloves when working with mortar FIS V Plus / FIS VS Plus Low Speed.  
Important: Observe the instructions for use provided with each cartridge.

## Installation instruction part 1; Installation with FIS V Plus / FIS VS Plus Low Speed

### Hole drilling

Note: Before drilling, remove carbonized concrete; clean contact areas (see Annex B 2)  
In case of aborted drill holes the drill hole shall be filled with mortar.

1a	<p><b>Hammer drilling or compressed air drilling</b></p> 	<p>Drill the hole to the required embedment depth using a hammer drill with carbide drill bit set in rotation hammer mode or a pneumatic drill. Drill bit sizes see table B6.2.</p>
1b	<p><b>Hammer drilling with hollow drill bit</b></p> 	<p>Drill the hole to the required embedment depth using a hammer drill with hollow drill bit in rotation hammer mode. Dust extraction conditions see drill hole cleaning annex B 8. Drill bit sizes see table B6.2.</p>
2		<p>Measure and control concrete cover <math>c</math> (<math>c_{drill} = c + \varnothing / 2</math>) Drill parallel to surface edge and to existing rebar. Where applicable use fischer drilling aid.</p> <p>For holes <math>l_v &gt; 20</math> cm use drilling aid. Three different options can be considered: A) fischer drilling aid B) Slat or spirit level C) Visual check</p> <p>Minimum concrete cover <math>c_{min}</math> see table B5.1</p>

Rebar connection with fischer injection mortar FIS V Plus

### Intended use


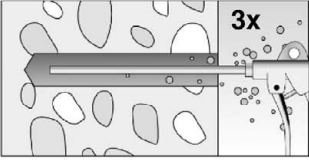
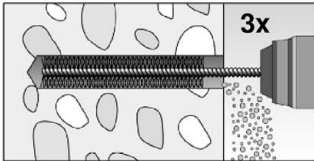
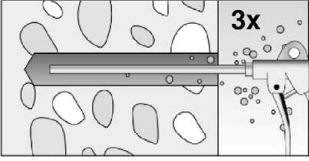
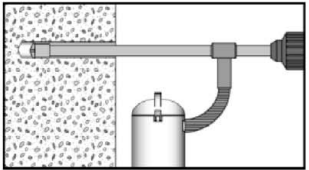

Safety regulations; Installation instruction part 1, hole drilling

**Annex B 7**

Appendix 14 / 21

# Installation instruction part 2; Installation with FIS V Plus / FIS VS Plus Low Speed

## Drill hole cleaning

	<p><b>Hammer or compressed air drilling</b></p>	
		<p><b>Blowing</b>  three times from the back of the hole with the appropriate nozzle (oil-free compressed air <math>\geq 6</math> bar) until return air stream is free of noticeable dust.  Personal protective equipment must be used (see regulations Annex B 7).</p>
<p><b>3a</b></p>		<p><b>Brushing (with power drill)</b>  three times with the suitable brush size (brush diameter <math>&gt;</math> drill hole diameter). Switch on the power drill after inserting the steel brush into the drill hole. The brush must produce a noticeable resistance when it is inserted into the drill hole. If this is not the case, use a new or larger brush.  If necessary, check with brush inspection template.  Suitable brushes see table B6.2.</p>
		<p><b>Blowing</b>  three times from the back of the hole with the appropriate nozzle (oil-free compressed air <math>\geq 6</math> bar) until return air stream is free of noticeable dust.  Personal protective equipment must be used. (see regulations Annex B 7).</p>
<p><b>3b</b></p>	<p><b>Hammer drilling with hollow drill bit</b></p> 	 <p>Use a suitable dust extraction system, e. g. fischer FVC 35 M or a comparable dust extraction system with equivalent performance data.  Drill the hole with hollow drill bit. The dust extraction system has to extract the drill dust nonstop during the drilling process and must be adjusted to maximum power.  No further drill hole cleaning necessary</p>

Rebar connection with fischer injection mortar FIS V Plus

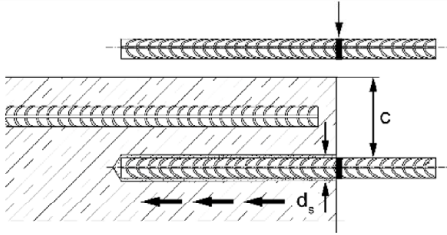
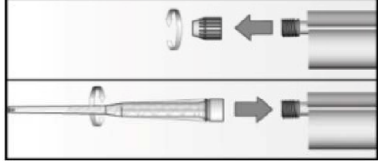
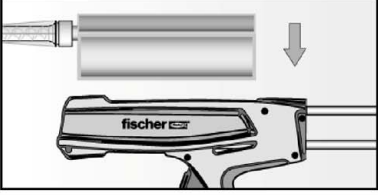
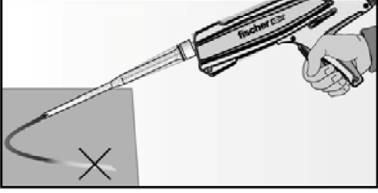
**Intended use**  
Installation instruction part 2, drill hole cleaning

**Annex B 8**

Appendix 15 / 21

### Installation instruction part 3; Installation with FIS V Plus / FIS VS Plus Low Speed

reinforcing bars (rebar) / fischer rebar anchor FRA and cartridge preparation

4		<p>Before use, make asure that the rebar or the rebar anchor FRA is dry and free of oil or other residue. Mark the embedment depth <math>l_v</math> (e.g. with tape) Insert rebar in borehole, to verify drill hole depth and setting depth <math>l_v</math> resp. <math>l_{e,ges}</math></p>
5		<p>Twist off the sealing cap Twist on the static mixer (the spiral in the static mixer must be clearly visible).</p>
6		<p>Place the cartridge into a suitable dispenser.</p>
7		<p>Press out approximately 10 cm of mortar until the resin is permanently grey in colour. Mortar which is not grey in colour will not cure and must be disposed.</p>

Rebar connection with fischer injection mortar FIS V Plus

#### Intended use

Installation instruction part 3,  
reinforcing bars (rebar) / fischer rebar anchor FRA and cartridge preparation

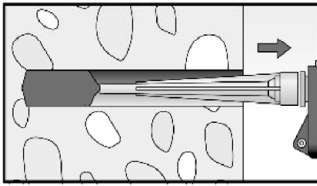
**Annex B 9**

Appendix 16 / 21

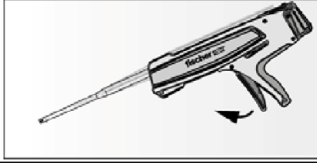
## Installation instruction part 4; Installation with FIS V Plus / FIS VS Plus Low Speed

### Injection of the mortar; borehole depth ≤ 250 mm

8a



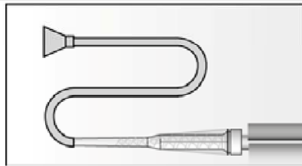
Inject the mortar from the back of the hole towards the front and slowly withdraw the mixing nozzle step by step with each trigger pull. Avoid bubbles. Fill holes approximately 2/3 full, to ensure that the annular gap between the rebar and the concrete will be completely filled with adhesive over the entire embedment length.



After injecting, release the dispenser. This will prevent further mortar discharge from the mixing nozzle.

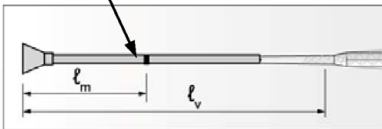
### Injection of the mortar; borehole depth > 250 mm

8b



Assemble mixing nozzle FIS MR Plus or FIS UMR, extension tube and appropriate injection adapter (see table B6.2)

Mortar level mark



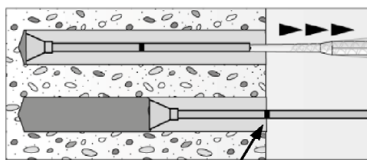
Mark the required mortar level  $l_m$  and embedment depth  $l_v$  resp.  $l_{e,ges}$  with tape or marker on the injection extension tube.

a) Estimation:

$$l_m = \frac{1}{3} * l_v \text{ resp. } l_m = \frac{1}{3} * l_{e,ges} [\text{mm}]$$

b) Precise equation for optimum mortar volume:

$$l_m = l_v \text{ resp. } l_{e,ges} \left( (1,2 * \frac{d_s^2}{d_0^2} - 0,2) \right) [\text{mm}]$$



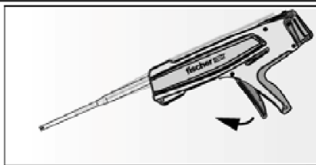
Mortar level mark

Insert injection adapter to back of the hole. Begin injection allowing the pressure of the injected adhesive mortar to push the injection adapter towards the front of the hole. Do not actively pull out!

Fill holes approximately 2/3 full, to ensure that the annular gap between the rebar and the concrete will be completely filled with adhesive over the embedment length.

When using an injection adapter continue injection until the mortar level mark  $l_m$  becomes visible.

Maximum embedment depth see table B5.2



After injecting, release the dispenser. This will prevent further mortar discharge from the mixing nozzle.

Rebar connection with fischer injection mortar FIS V Plus

**Intended use**

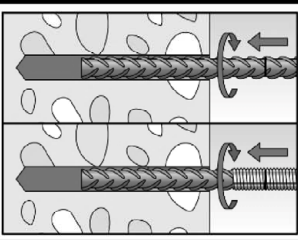
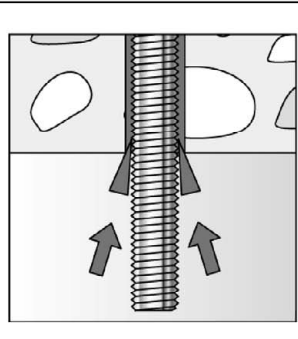
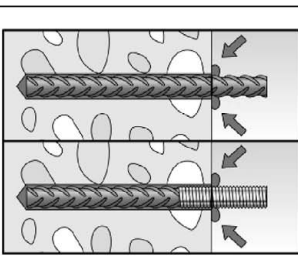
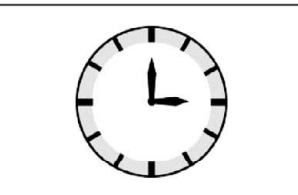
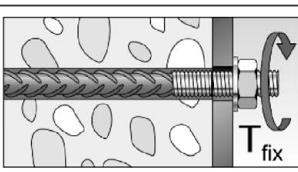
Installation instruction part 4, mortar injection

**Annex B 10**

Appendix 17 / 21

# Installation instruction part 5; Installation with FIS V Plus / FIS VS Plus Low Speed

## Insert rebar / rebar anchor FRA

9		<p>Insert the rebar / rebar anchor FRA slowly twisted into the borehole until the embedment mark is reached.</p>
10		<p>For overhead installation, support the rebar / rebar anchor FRA and secure it from falling till mortar started to harden, e.g. using wedges.</p>
11		<p>After installing the rebar or FRA the annular gap must be completely filled with mortar.</p> <p>Proper installation</p> <ul style="list-style-type: none"> <li>• Desired embedment depth is reached <math>l_v</math>: embedment mark at concrete surface</li> <li>• Excess mortar flows out of the borehole after the rebar has been fully inserted up to the embedment mark.</li> </ul>
12		<p>Observe the working time "<math>t_{work}</math>" (see table B6.1), which varies according to temperature of base material. Minor adjustments to the rebar / rebar anchor FRA position may be performed during the working time</p> <p>Full load may be applied only after the curing time "<math>t_{cure}</math>" has elapsed (see table B 6.1)</p>
13		<p>Mounting the fixture, max <math>T_{fix}</math> see table A6.1</p>

Rebar connection with fischer injection mortar FIS V Plus

**Intended use**

Installation instruction part 5, insert rebar / rebar anchor FRA

**Annex B 11**

## Minimum anchorage length and minimum lap length

The minimum anchorage length  $l_{b,min}$  and the minimum lap length  $l_{o,min}$  according to EN 1992-1-1 shall be multiply by the relevant amplification factor  $\alpha_{lb}$  according to table C1.1.

**Table C1.1:** Amplification factor  $\alpha_{lb}$  related to concrete strength class and drilling method

Concrete strength class	Drilling method	Amplification factor $\alpha_{lb}$
C12/15 to C50/60	Hammer drilling with standard drill bit	1,0
	Hammer drilling with hollow drill bit (fischer "FHD", Heller "Duster Expert"; Bosch „Speed Clean“; Hilti "TE-CD, TE-YD")	1,0
	Compressed air drilling	1,0

**Table C1.2:** Bond efficiency factor  $k_b$  for hammer drilling, hollow drilling and compressed air drilling

### Hammer drilling, hollow drilling and compressed air drilling

Rebar / rebar anchor FRA $\phi$ [mm]	Bond efficiency factor $k_b$								
	Concrete strength class								
	C12/15	C16/20	C20/25	C25/30	C30/37	C35/45	C40/50	C45/55	C50/60
8 to 28	1,00								

**Table C1.3:** Design values of the bond strength  $f_{bd,PIR}$  in N/mm<sup>2</sup> for hammer drilling, hollow drilling, compressed air drilling and for good bond conditions

$$f_{bd,PIR} = k_b \cdot f_{bd}$$

$f_{bd}$ : Design value of the bond strength in N/mm<sup>2</sup> considering the concrete strength classes and the rebar diameter according to EN 1992-1-1: 2004+AC:2010 (for all other bond conditions multiply the values by 0,7)

$k_b$ : Bond efficiency factor according to table C1.2

### Hammer drilling, hollow drilling and compressed air drilling

Rebar / rebar anchor FRA $\phi$ [mm]	bond strength $f_{bd,PIR}$ [N/mm <sup>2</sup> ]								
	Concrete strength class								
	C12/15	C16/20	C20/25	C25/30	C30/37	C35/45	C40/50	C45/55	C50/60
8 to 28	1,6	2,0	2,3	2,7	3,0	3,4	3,7	4,0	4,3

Rebar connection with fischer injection mortar FIS V Plus

#### Performance

Amplification factor  $\alpha_{lb}$ , bond efficiency factor  $k_b$ , design values of the bond strength  $f_{bd,PIR}$

**Annex C 1**

Appendix 19 / 21

**Table C2.1:** Essential characteristics of **tensile resistance** for **fischer rebar anchors FRA** under fire exposure

concrete strength classes C12/C15 to C50/60, according to EN 1992-4:2018

fischer rebar anchor FRA				M12	M16	M20	M24
Stainless steel (FRA or FRA HCR)							
Characteristic tensile resistance	R30	$\sigma_{Rk,s,fi}$	[N/mm <sup>2</sup> ]	30			
	R60			25			
	R90			20			
	R120			16			

**Design value of the steel bearing capacity  $\sigma_{Rd,s,fi}$  under fire exposure for fischer rebar anchor FRA**

The design value of the steel bearing capacity  $\sigma_{Rd,s,fi}$  under fire exposure has to be calculated by the following equation:

$$\sigma_{Rd,s,fi} = \sigma_{Rk,s,fi} / \gamma_{M,fi}$$

with:

$\sigma_{Rk,s,fi}$       Characteristic tensile resistance according to table C2.1  
 $\gamma_{M,fi}$         Partial factor according to EN 1992-1-2:2004+AC:2008

Rebar connection with fischer injection mortar FIS V Plus

**Performance**

Design value of the steel bearing capacity  $\sigma_{Rd,s,fi}$  under fire exposure for fischer rebar anchor FRA

**Annex C 2**

Appendix 20 / 21



## Design values of the bond strength $f_{bk,fi}$ under fire exposure for concrete strength classes C12/15 to C50/60 (all drilling methods)

The design value of the bond strength  $f_{bk,fi}$  under fire exposure has to be calculated by the following equation:

$$f_{bk,fi} = k_{fi}(\theta) \cdot f_{bd,PIR} \cdot \frac{\gamma_c}{\gamma_{M,fi}}$$

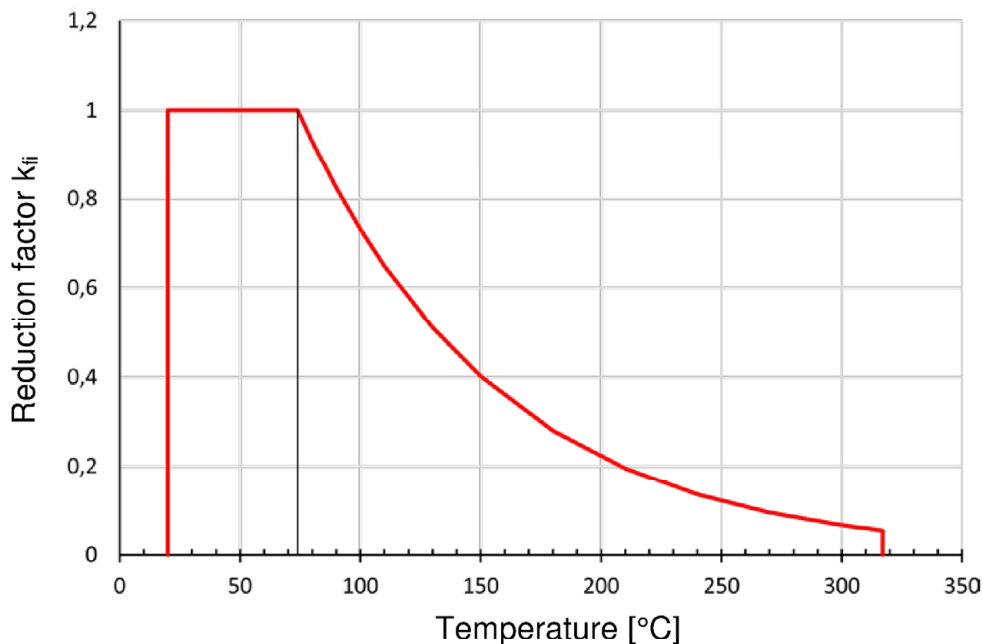
If:  $\theta > 74 \text{ }^\circ\text{C}$        $k_{fi}(\theta) = \frac{24,308 \cdot e^{-0,012 \cdot \theta}}{f_{bd,PIR} \cdot 4,3} \leq 1.0$

If:  $\theta > \theta_{max} (317 \text{ }^\circ\text{C})$        $k_{fi}(\theta) = 0$

- $f_{bk,fi}$  = Design value of the bond strength in case of fire (in N/mm<sup>2</sup>)
- $(\theta)$  = Temperature in °C in the mortar layer
- $k_{fi}(\theta)$  = Reduction factor under fire exposure
- $f_{bd,PIR}$  = Design value of the bond strength in N/mm<sup>2</sup> in cold condition according to table C1.3 considering the concrete classes, the rebar diameter, the drilling method and the bond conditions according to EN 1992-1-1:2004+AC:2010
- $\gamma_c$  = Partial factor according to EN 1992-1-1:2004+AC:2010
- $\gamma_{M,fi}$  = Partial factor according to EN 1992-1-2:2004+AC:2008

For evidence under fire exposure the anchorage length shall be calculated according to EN 1992-1-1:2004+AC:2010 Equation 8.3 using the temperature-dependent ultimate bond strength  $f_{bk,fi}$ .

**Figure C3.1:** Example graph of reduction factor  $k_{fi}(\theta)$  for concrete class C20/25 for good bond conditions



Rebar connection with fischer injection mortar FIS V Plus

**Performance**  
Design values of bond strength  $f_{bk,fi}$  under fire exposure

**Annex C 3**

Appendix 21 / 21



## DECLARATION OF PERFORMANCE

### DoP 0231

for fischer injection system FIS-V-Plus (Bonded fastener for use in concrete)

EN

1. <u>Unique identification code of the product-type:</u>	<b>DoP 0231</b>		
2. <u>Intended use/es:</u>	<b>Post-installed fastening in cracked or uncracked concrete.</b>		
3. <u>Manufacturer:</u>	<b>See appendix, especially annexes B1- B12 fischerwerke GmbH &amp; Co. KG, Otto-Hahn-Straße 15, 79211 Denzlingen, Germany</b>		
4. <u>Authorised representative:</u>	–		
5. <u>System/s of AVCP:</u>	1		
6. <u>European Assessment Document:</u>	<b>EAD 330499-01-0601 Edition 04/2020</b>		
European Technical Assessment:	<b>ETA-20/0603; 2020-11-13</b>		
Technical Assessment Body:	<b>DIBt- Deutsches Institut für Bautechnik</b>		
Notified body/ies:	<b>2873 TU Darmstadt</b>		
7. <u>Declared performance/s:</u>			
<b>Mechanical resistance and stability (BWR 1)</b>			
Characteristic resistance to tension load (static and quasi-static loading):	Resistance to steel failure:	Annexes C1-C3	$E_s = 210\,000\text{ MPa}$
	Resistance to combined pull- out and concrete cone failure:	Annexes C4-C9	
	Resistance to concrete cone failure:	Annex C4	
	Edge distance to prevent splitting under load:	Annex C4	
	Robustness:	Annexes C4-C9,C14	
	Maximum installation torque:	Annexes B3, B6, B8	
	Minimum edge distance and spacing:	Annexes B3-B8	
Characteristic resistance to shear load (static and quasi-static loading):	Resistance to steel failure:	Annexes C1- C3	
	Resistance to pry-out failure:	Annex C4	
	Resistance to concrete edge failure:	Annex C4	
Characteristic resistance and displacements for seismic performance categories C1 and C2:	Resistance to tension load, displacements, category C1:	Annexes C12-C14	
	Resistance to tension load, displacements, category C2:	Annexes C12,C13,C15	
	Resistance to shear load, displacements, category C1:	Annexes C12, C13	
	Resistance to shear load, displacements, category C2:	Annexes C12,C13,C15	
	Factor annular gap:	Annex C12	
Displacements under short-term and long-term loading:	Displacements under short-term and long-term loading:	Annexes C10, C11	
<b>Hygiene, health and the environment (BWR 3)</b>			
Content, emission and/or release of dangerous substances:	NPD		



8. Appropriate Technical Documentation and/or -  
Specific Technical Documentation:

The performance of the product identified above is in conformity with the set of declared performance/s. This declaration of performance is issued, in accordance with Regulation (EU) No 305/2011, under the sole responsibility of the manufacturer identified above.

Signed for and on behalf of the manufacturer by:

Dr. Oliver Geibig, Managing Director Business Units & Engineering  
Tumlingen, 2020-11-27

Jürgen Grün, Managing Director Chemistry & Quality

This DoP has been prepared in different languages. In case there is a dispute on the interpretation the English version shall always prevail.

The Appendix includes voluntary and complementary information in English language exceeding the (language-neutrally specified) legal requirements.

## Specific Part

### 1 Technical description of the product

The "fischer Injection system FIS V Plus" is a bonded anchor consisting of a cartridge with injection mortar according to Annex A 4 and a steel element according to Annex A 1 to A 3.

The steel element is placed into a drilled hole filled with injection mortar and is anchored via the bond between metal part, injection mortar and concrete.

The product description is given in Annex A.

### 2 Specification of the intended use in accordance with the applicable European Assessment Document

The performances given in Section 3 are only valid if the anchor is used in compliance with the specifications and conditions given in Annex B.

The verifications and assessment methods on which this European Technical Assessment is based lead to the assumption of a working life of the anchor of at least 50 and/or 100 years. The indications given on the working life cannot be interpreted as a guarantee given by the producer, but are to be regarded only as a means for choosing the right products in relation to the expected economically reasonable working life of the works.

### 3 Performance of the product and references to the methods used for its assessment

#### 3.1 Mechanical resistance and stability (BWR 1)

Essential characteristic	Performance
Characteristic resistance to tension load (static and quasi-static loading)	See Annex C 1, C 2, C 4 to C 9, B 4, B 5
Characteristic resistance to shear load (static and quasi-static loading)	See Annex C 1 to C 3
Displacements under short-term and long-term loading	See Annex C 10 to C 11
Characteristic resistance and displacements for seismic performance categories C1 and C2	See Annex C 12 to C 15

#### 3.2 Hygiene, health and the environment (BWR 3)

Essential characteristic	Performance
Content, emission and/or release of dangerous substances	No performance assessed

4

**Assessment and verification of constancy of performance (AVCP) system applied, with reference to its legal base**

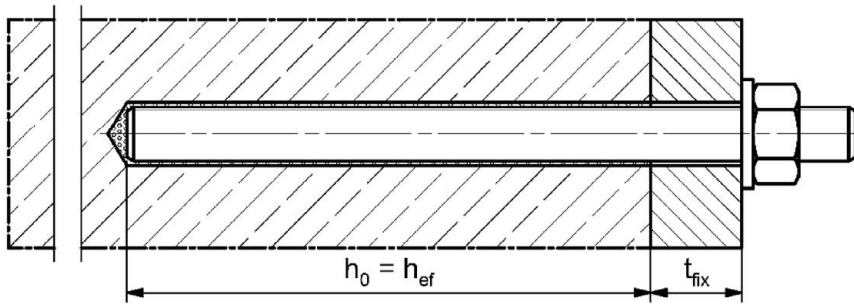
In accordance with the European Assessment Document EAD 330499-01-0601 the applicable European legal act is: [96/582/EC].

The system to be applied is: 1

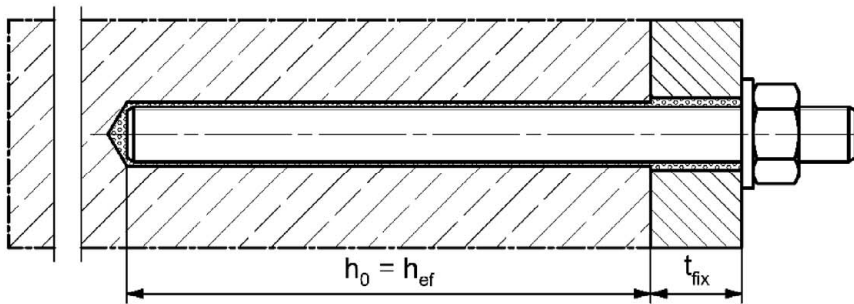
# Installation conditions part 1

## fischer anchor rod

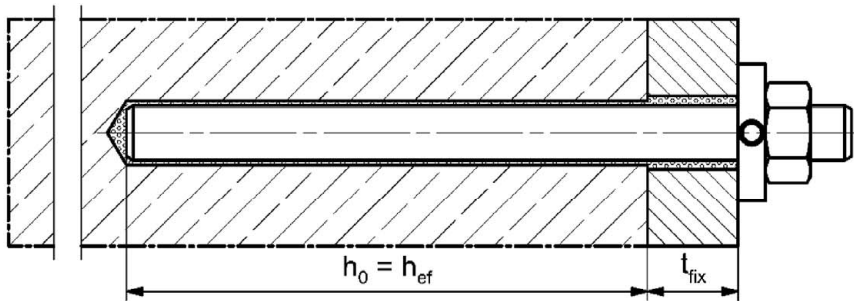
### Pre-positioned installation



### Push through installation (annular gap filled with mortar)



### Pre-positioned or push through installation with subsequently injected fischer filling disc (annular gap filled with mortar)



Figures not to scale

$h_0$  = drill hole depth

$h_{ef}$  = effective embedment depth

$t_{fix}$  = thickness of fixture

fischer injection system FIS V Plus

**Product description**  
Installation conditions part 1

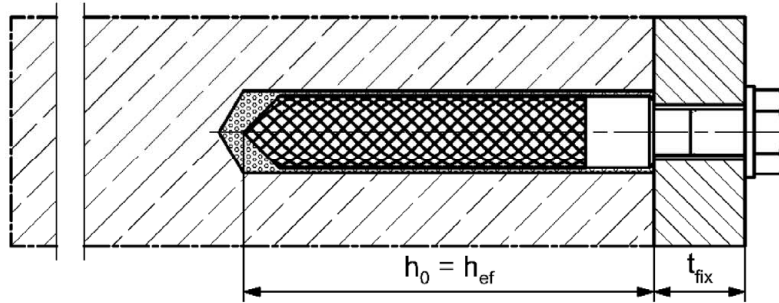
**Annex A 1**

Appendix 3 / 35

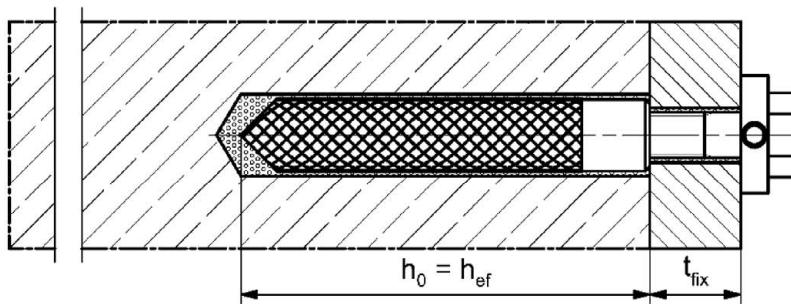
# Installation conditions part 2

## fischer internal threaded anchor RG MI

### Pre-positioned installation



### Pre-positioned installation with subsequently injected fischer filling disc (annular gap filled with mortar)



Figures not to scale

$h_0$  = drill hole depth

$h_{ef}$  = effective embedment depth

$t_{fix}$  = thickness of fixture

fischer injection system FIS V Plus

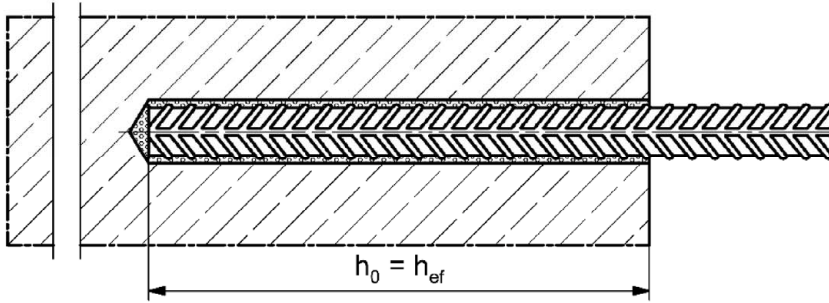
**Product description**  
Installation conditions part 2

**Annex A 2**

Appendix 4 / 35

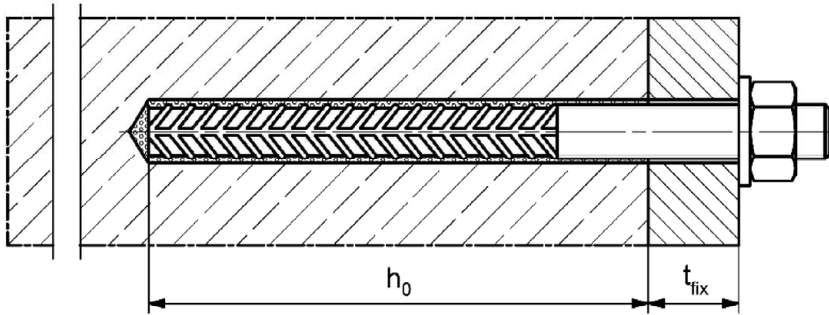
# Installation conditions part 3

## Reinforcing bar

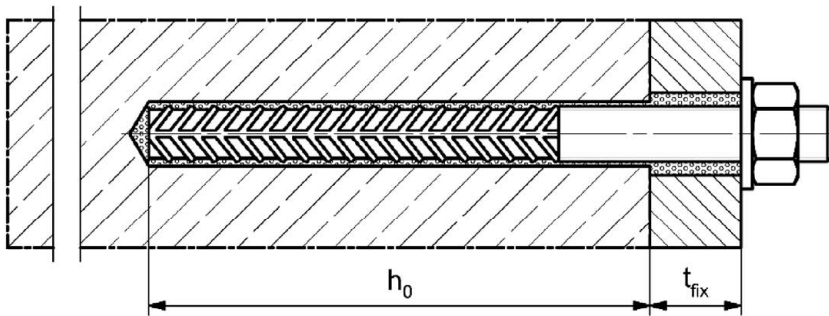


## fischer rebar anchor FRA

### Pre-positioned installation



### Push through installation (annular gap filled with mortar)



Figures not to scale

$h_0$  = drill hole depth

$h_{ef}$  = effective embedment depth

$t_{fix}$  = thickness of fixture

fischer injection system FIS V Plus

**Product description**  
Installation conditions part 3

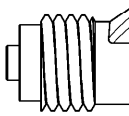
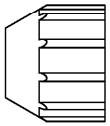
**Annex A 3**

Appendix 5 / 35

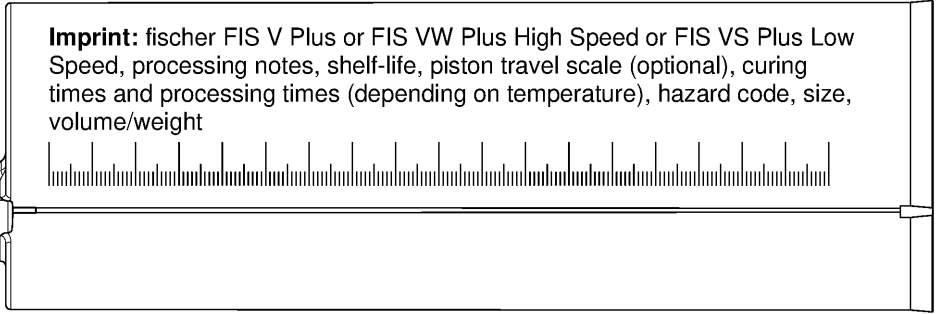


# Overview system components part 1

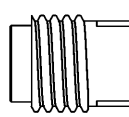
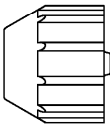
**Injection cartridge (shuttle cartridge) with sealing cap; Sizes: 350 ml, 360 ml, 390 ml, 550 ml, 1100 ml, 1500 ml**



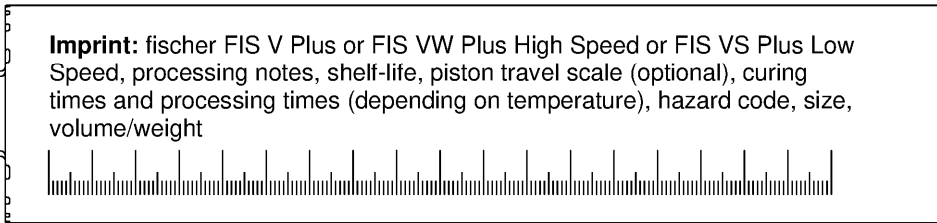
**Imprint:** fischer FIS V Plus or FIS VW Plus High Speed or FIS VS Plus Low Speed, processing notes, shelf-life, piston travel scale (optional), curing times and processing times (depending on temperature), hazard code, size, volume/weight



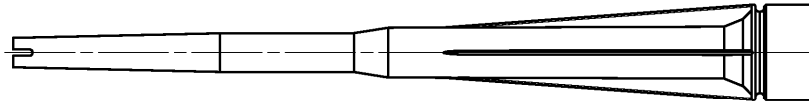
**Injection cartridge (coaxial cartridge) with sealing cap; Sizes: 100 ml, 150 ml, 300 ml, 380 ml, 400 ml, 410 ml**



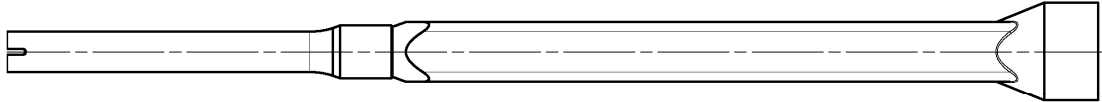
**Imprint:** fischer FIS V Plus or FIS VW Plus High Speed or FIS VS Plus Low Speed, processing notes, shelf-life, piston travel scale (optional), curing times and processing times (depending on temperature), hazard code, size, volume/weight



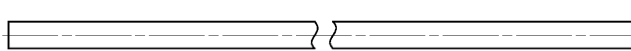
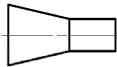
**Static mixer FIS MR Plus for injection cartridges up to 410 ml**



**Static mixer FIS UMR for injection cartridges from 550 ml**



**Injection adapter and extension tube Ø 9 for static mixer FIS MR Plus;  
Injection adapter and extension tube Ø 9 or Ø 15 for static mixer FIS UMR**



**Cleaning brush BS**



**Blow-out pump**

**AB G:**



**ABP:**



Figures not to scale

fischer injection system FIS V Plus

**Product description**

Overview system components part 1;  
cartridges / static mixer / accessories

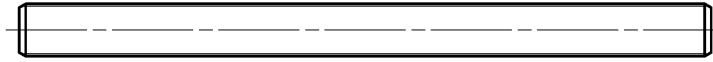
**Annex A 4**

Appendix 6 / 35

## Overview system components part 2

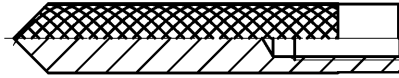
### fischer anchor rod

Size: M6, M8, M10, M12, M16, M20, M24, M27, M30

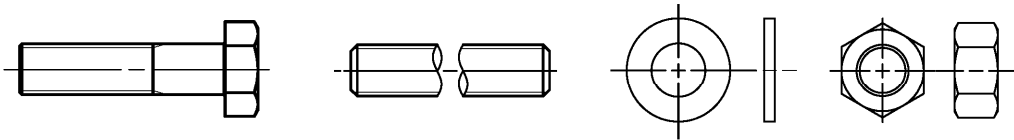


### fischer internal threaded anchor RG MI

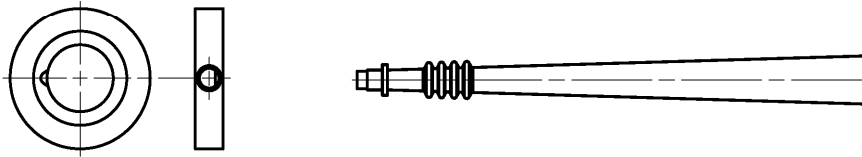
Size: M8, M10, M12, M16, M20



### Screw / threaded rod / washer / hexagon nut



### fischer filling disc with injection adapter



### Reinforcing bar

Nominal diameter:  $\phi 8$ ,  $\phi 10$ ,  $\phi 12$ ,  $\phi 14$ ,  $\phi 16$ ,  $\phi 20$ ,  $\phi 25$ ,  $\phi 28$



### fischer rebar anchor FRA

Size: M12, M16, M20, M24



Figures not to scale

fischer injection system FIS V Plus

### Product description

Overview system components part 2;  
metal parts, injection adapter

**Annex A 5**

Appendix 7 / 35

**Table A6.1: Materials**

Part	Designation	Material		
1	Injection cartridge	Mortar, hardener, filler		
	Steel grade	Steel	Stainless steel R	High corrosion resistant steel HCR
		zinc plated	acc. to EN 10088-1:2014 Corrosion resistance class CRC III acc. to EN 1993-1-4:2015	acc. to EN 10088-1:2014 Corrosion resistance class CRC V acc. to EN 1993-1-4:2015
2	Anchor rod	Property class 4.8, 5.8 or 8.8; EN ISO 898-1:2013 zinc plated $\geq 5 \mu\text{m}$ , ISO 4042:2018/Zn5/An(A2K) or hot dip galvanised $\geq 40 \mu\text{m}$ EN ISO 10684:2004 $f_{uk} \leq 1000 \text{ N/mm}^2$ $A_5 > 12\%$ fracture elongation	Property class 50, 70 or 80 EN ISO 3506-1:2009 1.4401; 1.4404; 1.4578; 1.4571; 1.4439; 1.4362; 1.4062, 1.4662, 1.4462; EN 10088-1:2014 $f_{uk} \leq 1000 \text{ N/mm}^2$ $A_5 > 12\%$ fracture elongation	Property class 50 or 80 EN ISO 3506-1:2009 or property class 70 with $f_{yk} = 560 \text{ N/mm}^2$ 1.4565; 1.4529; EN 10088-1:2014 $f_{uk} \leq 1000 \text{ N/mm}^2$ $A_5 > 12\%$ fracture elongation
		Fracture elongation $A_5 > 8\%$ , for applications without requirements for seismic performance category C2		
3	Washer ISO 7089:2000	zinc plated $\geq 5 \mu\text{m}$ , ISO 4042:2018/Zn5/An(A2K) or hot dip galvanised $\geq 40 \mu\text{m}$ EN ISO 10684:2004	1.4401; 1.4404; 1.4578; 1.4571; 1.4439; 1.4362; EN 10088-1:2014	1.4565; 1.4529; EN 10088-1:2014
4	Hexagon nut	Property class 4, 5 or 8; EN ISO 898-2:2012 zinc plated $\geq 5 \mu\text{m}$ , ISO 4042:2018/Zn5/An(A2K) or hot dip galvanised $\geq 40 \mu\text{m}$ EN ISO 10684:2004	Property class 50, 70 or 80 EN ISO 3506-1:2009 1.4401; 1.4404; 1.4578; 1.4571; 1.4439; 1.4362; EN 10088-1:2014	Property class 50, 70 or 80 EN ISO 3506-1:2009 1.4565; 1.4529; EN 10088-1:2014
5	fischer internal threaded anchor RG MI	Property class 5.8 ISO 898-1:2013 zinc plated $\geq 5 \mu\text{m}$ , ISO 4042:2018/Zn5/An(A2K)	Property class 70 EN ISO 3506-1:2009 1.4401; 1.4404; 1.4578; 1.4571; 1.4439; 1.4362; EN 10088-1:2014	Property class 70 EN ISO 3506-1:2009 1.4565; 1.4529; EN 10088-1:2014
6	Commercial standard screw or threaded rod for fischer internal threaded anchor RG MI	Property class 5.8 or 8.8; EN ISO 898-1:2013 zinc plated $\geq 5 \mu\text{m}$ , ISO 4042:2018/Zn5/An(A2K) $A_5 > 8\%$ fracture elongation	Property class 70 EN ISO 3506-1:2009 1.4401; 1.4404; 1.4578; 1.4571; 1.4439; 1.4362; EN 10088-1:2014 $A_5 > 8\%$ fracture elongation	Property class 70 EN ISO 3506-1:2009 1.4565; 1.4529; EN 10088-1:2014 $A_5 > 8\%$ fracture elongation
7	fischer filling disc similar to DIN 6319-G	zinc plated $\geq 5 \mu\text{m}$ , ISO 4042:2018/Zn5/An(A2K) or hot dip galvanised $\geq 40 \mu\text{m}$ EN ISO 10684:2004	1.4401; 1.4404; 1.4578; 1.4571; 1.4439; 1.4362; EN 10088-1:2014	1.4565; 1.4529; EN 10088-1:2014
8	Reinforcing bar EN 1992-1-1:2004 and AC:2010, Annex C	Bars and de-coiled rods, class B or C with $f_{yk}$ and $k$ according to NDP or NCL of according to EN 1992-1-1:2004/NA $f_{tk} = f_{tk} = k \cdot f_{yk}$		
9	fischer rebar anchor FRA	Rebar part: Bars and de-coiled rods class B or C with $f_{yk}$ and $k$ according to NDP or NCL of EN 1992-1-1:2004+AC:2010 $f_{uk} = f_{tk} = k \cdot f_{yk}$	Threaded part: Property class 70 or 80 EN ISO 3506-1:2009 1.4401, 1.4404, 1.4571, 1.4578, 1.4439, 1.4362, 1.4062 acc. to EN 10088-1:2014 Corrosion resistance class CRC III acc. to EN 1993-1-4:2015 1.4565; 1.4529 acc. to EN 10088-1:2014 Corrosion resistance class CRC V acc. to EN 1993-1-4:2015	

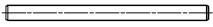





fischer injection system FIS V Plus

**Product description**  
Materials**Annex A 6**

Appendix 8 / 35

# Specifications of intended use (part 1)

**Table B1.1:** Overview use and performance categories

		FIS V Plus with ...							
		Anchor rod 	fischer internal threaded anchor RG MI 	Reinforcing bar 	fischer rebar anchor FRA 				
Hammer drilling with standard drill bit 	all sizes								
Hammer drilling with hollow drill bit  (fischer „FHD“, Heller „Duster Expert“, Bosch „Speed Clean“, Hilti „TE-CD, TE-YD“, DreBo „D-Plus“, DreBo „D-Max“)	Nominal drill bit diameter (d <sub>0</sub> ) 12 mm to 35 mm								
Static and quasi static load, in	uncracked concrete	all sizes	Tables: C1.1 C4.1 C5.1 C6.1 C10.1	all sizes	Tables: C2.1 C4.1 C7.1 C10.2	all sizes	Tables: C3.1 C4.1 C8.1 C11.1	all sizes	Tables: C3.2 C4.1 C9.1 C11.2
	cracked concrete	M8 to M30		..2)		φ 10 to φ 28			
Seismic performance category	C1 <sup>1)</sup>	M10 to M30	Tables: C12.1 C13.1 C14.1	..2)		..2)		..2)	
	C2 <sup>1)</sup>	M12 M16 M20	Tables: C12.1 C13.1 C15.1						
Use category	I1 dry or wet concrete	all sizes							
	I2 water filled hole	M12 to M30		all sizes		..2)		..2)	
Installation direction	D3 (downward and horizontal and upwards (e.g. overhead) installation)								
Installation temperature	T <sub>i,min</sub> = -10 °C to T <sub>i,max</sub> = +40 °C								
In-service temperature	Temperature range I	-40 °C to +80 °C			(max. short term temperature +80 °C; max. long term temperature +50 °C)				
	Temperature range II	-40 °C to +120 °C			(max. short term temperature +120 °C; max. long term temperature +72 °C)				

<sup>1)</sup> Not for FIS VW Plus High Speed and FIS VS Plus Low Speed

<sup>2)</sup> No performance assessed

fischer injection system FIS V Plus

**Intended use**  
Specifications (part 1)

**Annex B 1**

Appendix 9 / 35

## Specifications of intended use (part 2)

### Base materials:

- Compacted reinforced or unreinforced normal weight concrete without fibres of strength classes C20/25 to C50/60 according to EN 206:2013+A1:2016

### Use conditions (Environmental conditions):

- Structures subject to dry internal conditions (zinc coated steel, stainless steel or high corrosion resistant steel).
- For all other conditions according to EN1993-1-4:2015 corresponding to corrosion resistance classes to Annex A 6 Table A6.1.

### Design:

- Anchorages have to be designed by a responsible engineer with experience of concrete anchor design.
- Verifiable calculation notes and drawings are to be prepared taking account of the loads to be anchored. The position of the anchor is indicated on the design drawings (e. g. position of the anchor relative to reinforcement or to supports, etc.).
- Anchorages are designed in accordance with: EN 1992-4:2018 and EOTA Technical Report TR 055, Edition February 2018.

### Installation:

- Anchor installation is to be carried out by appropriately qualified personnel and under the supervision of the person responsible for technical matters of the site
- In case of aborted hole: The hole shall be filled with mortar
- Anchorage depth should be marked and adhered to on installation
- Overhead installation is allowed

fischer injection system FIS V Plus

**Intended use**  
Specifications (part 2)

**Annex B 2**

Appendix 10 / 35

**Table B3.1:** Installation parameters for anchor rods <sup>1)</sup>

Anchor rods		Thread	M6	M8	M10	M12	M16	M20	M24	M27	M30	
Width across flats	SW	[mm]	10	13	17	19	24	30	36	41	46	
Nominal drill hole diameter	d <sub>0</sub>		8	10	12	14	18	24	28	30	35	
Drill hole depth	h <sub>0</sub>		h <sub>0</sub> = h <sub>ef</sub>									
Effective embedment depth	h <sub>ef, min</sub>		50	60	60	70	80	90	96	108	120	
	h <sub>ef, max</sub>		72	160	200	240	320	400	480	540	600	
Minimum spacing and minimum edge distance	S <sub>min</sub> = C <sub>min</sub>		40	40	45	55	65	85	105	125	140	
	Diameter of the pre-positioned installation		d <sub>f</sub>	7	9	12	14	18	22	26	30	33
Diameter of the clearance hole of the fixture	push through installation		d <sub>f</sub>	9	12	14	16	20	26	30	33	40
	Minimum thickness of concrete member		h <sub>min</sub>	h <sub>ef</sub> + 30 (≥100)				h <sub>ef</sub> + 2d <sub>0</sub>				
Maximum installation torque	max T <sub>inst</sub>		[Nm]	5	10	20	40	60	120	150	200	300

<sup>1)</sup> minimum spacing and minimum edge distance see Annex B 4

**fischer anchor rod**



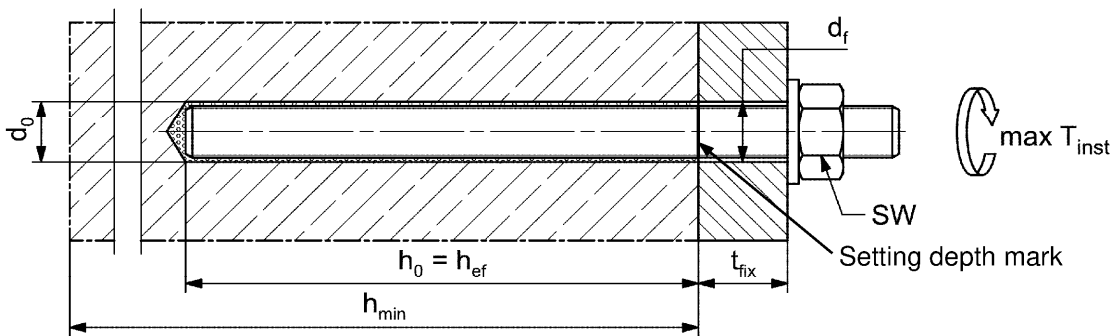
**Marking (on random place) fischer anchor rod:**

Steel zinc plated PC <sup>1)</sup> 8.8	• or +	Steel hot-dip PC <sup>1)</sup> 8.8	•
High corrosion resistant steel HCR PC <sup>1)</sup> 50	•	High corrosion resistant steel HCR PC <sup>1)</sup> 70	-
High corrosion resistant steel HCR PC <sup>1)</sup> 80	(	Stainless steel R property class 50	~
Stainless steel R property class 80	*		

Alternatively: Colour coding according to DIN 976-1: 2016

<sup>1)</sup> PC = property class

**Installation conditions:**



**Commercial standard threaded rods, washers and hexagon nuts may also be used if the following requirements are fulfilled:**

- Materials, dimensions and mechanical properties according to Annex A 6, Table A6.1
- Inspection certificate 3.1 according to EN 10204:2004, the documents have to be stored
- Setting depth is marked

Figures not to scale

fischer injection system FIS V Plus

**Intended use**  
Installation parameters anchor rods

**Annex B 3**

Appendix 11 / 35

**Table B4.1:** Minimum spacing and minimum edge distance for **anchor rods, reinforcing bars and fischer rebar anchor FRA**

<b>Anchor rods</b>			<b>M6</b>	<b>M8</b>	<b>M10</b>	<b>M12</b>	<b>-</b>	<b>M16</b>
<b>Reinforcing bars / FRA (nominal diameter)</b>		$\phi$	<b>-</b>	<b>8</b>	<b>10</b>	<b>12</b>	<b>14</b>	<b>16</b>
<b>Minimum edge distance</b>								
Uncracked / cracked concrete	$C_{min}$	[mm]	40	40	45	45	45	50
Minimum spacing	$S_{min}$		according to Annex B 5					
<b>Minimum spacing</b>								
Uncracked / cracked concrete	$S_{min}$	[mm]	40	40	45	55	60	65
Minimum edge distance	$C_{min}$		according to Annex B 5					
<b>Required projecting area</b>								
Uncracked concrete	$A_{sp,req}$	[1000	8,0	8,0	13,0	22,0	23,0	24,0
Cracked concrete		mm <sup>2</sup> ]	6,5	6,5	10	16,5	17,5	18,5

<b>Anchor rods</b>			<b>M20</b>	<b>M24</b>	<b>-</b>	<b>M27</b>	<b>-</b>	<b>M30</b>
<b>Reinforcing bars / FRA (nominal diameter)</b>		$\phi$	<b>20</b>	<b>-</b>	<b>25</b>	<b>-</b>	<b>28</b>	<b>-</b>
<b>Minimum edge distance</b>								
Uncracked / cracked concrete	$C_{min}$	[mm]	55	60	75	75	80	80
Minimum spacing	$S_{min}$		according to Annex B 5					
<b>Minimum spacing</b>								
Uncracked / cracked concrete	$S_{min}$	[mm]	85	105	120	120	140	140
Minimum edge distance	$C_{min}$		according to Annex B 5					
<b>Required projecting area</b>								
Uncracked concrete	$A_{sp,req}$	[1000	38,5	40	47,5	47,5	64	64
Cracked concrete		mm <sup>2</sup> ]	29,5	30,5	36,5	36,5	49	49

**Splitting failure** for minimum edge distance and spacing in dependence of the effective embedment depth  $h_{ef}$ .

For the calculation of minimum spacing and minimum edge distance of anchors in combination with different embedment depths and thicknesses of concrete members the following equation shall be fulfilled:

$$A_{sp,req} < A_{sp,t}$$

$A_{sp,req}$  = required projecting area

$A_{sp,t} = A_{sp,ef}$  = effective projecting area (according to Annex B 5)

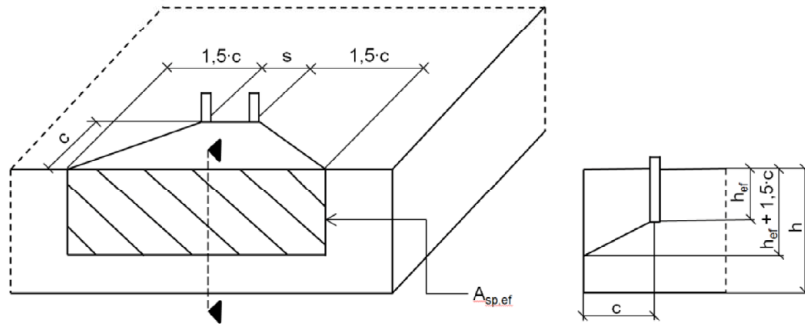
fischer injection system FIS V Plus

**Intended use**

Minimum spacing and edge distance for anchor rods, reinforcing bars and fischer rebar anchor FRA

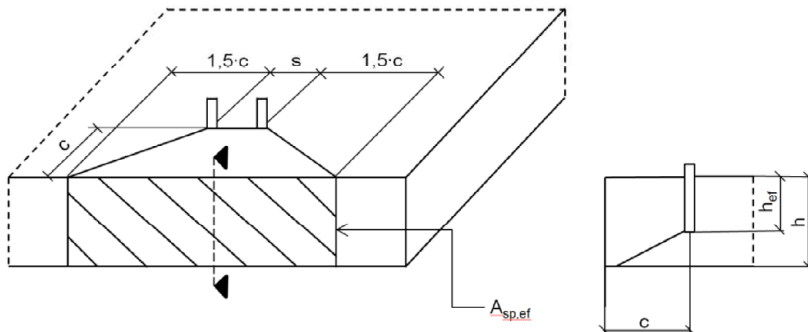
**Annex B 4**

**Table B5.1:** Effective projecting area  $A_{sp,t}$  with concrete member thickness  $h > h_{ef} + 1,5 \cdot c$  and  $h \geq h_{min}$



Single anchor	$A_{sp,t} = (3 \cdot c) \cdot (h_{ef} + 1,5 \cdot c)$	[mm <sup>2</sup> ]	with $c \geq c_{min}$
Group of anchors with $s > 3 \cdot c$	$A_{sp,t} = (6 \cdot c) \cdot (h_{ef} + 1,5 \cdot c)$	[mm <sup>2</sup> ]	
Group of anchors with $s \leq 3 \cdot c$	$A_{sp,t} = (3 \cdot c + s) \cdot (h_{ef} + 1,5 \cdot c)$	[mm <sup>2</sup> ]	with $c \geq c_{min}$ and $s \geq s_{min}$

**Table B5.2:** Effekive projecting area  $A_{sp,t}$  with concrete member thickness  $h \leq h_{ef} + 1,5 \cdot c$  and  $h \geq h_{min}$



Single anchor	$A_{sp,t} = 3 \cdot c \cdot \text{existing } h$	[mm <sup>2</sup> ]	with $c \geq c_{min}$
Group of anchors with $s > 3 \cdot c$	$A_{sp,t} = 6 \cdot c \cdot \text{existing } h$	[mm <sup>2</sup> ]	
Group of anchors with $s \leq 3 \cdot c$	$A_{sp,t} = (3 \cdot c + s) \cdot \text{existing } h$	[mm <sup>2</sup> ]	with $c \geq c_{min}$ and $s \geq s_{min}$

Edge distance and axial spacing shall be rounded up to at least 5 mm

Figures not to scale

fischer injection system FIS V Plus

**Intended use**

Minimum thickness of concrete member for anchor rods and reinforcing bars, minimum spacing and edge distance

**Annex B 5**

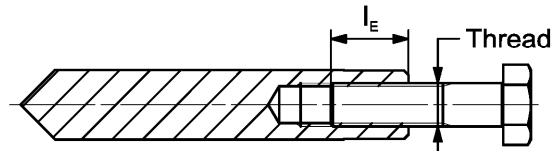
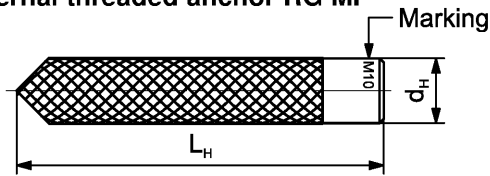
Appendix 13 / 35



**Table B6.1:** Installation parameters for **fischer internal threaded anchors RG MI**

Internal threaded anchors RG MI		Thread	M8	M10	M12	M16	M20
Diameter of anchor	$d_{nom} = d_H$	[mm]	12	16	18	22	28
Nominal drill hole diameter	$d_0$		14	18	20	24	32
Drill hole depth	$h_0$		$h_0 = h_{ef} = L_H$				
Effective embedment depth ( $h_{ef} = L_H$ )	$h_{ef}$		90	90	125	160	200
Minimum spacing and minimum edge distance	$s_{min}$ = $c_{min}$		55	65	75	95	125
Diameter of clearance hole in the fixture	$d_f$		9	12	14	18	22
Minimum thickness of concrete member	$h_{min}$		120	125	165	205	260
Maximum screw-in depth	$l_{E,max}$		18	23	26	35	45
Minimum screw-in depth	$l_{E,min}$		8	10	12	16	20
Maximum installation torque	$\max T_{inst}$	[Nm]	10	20	40	80	120

**fischer internal threaded anchor RG MI**



**Marking:**

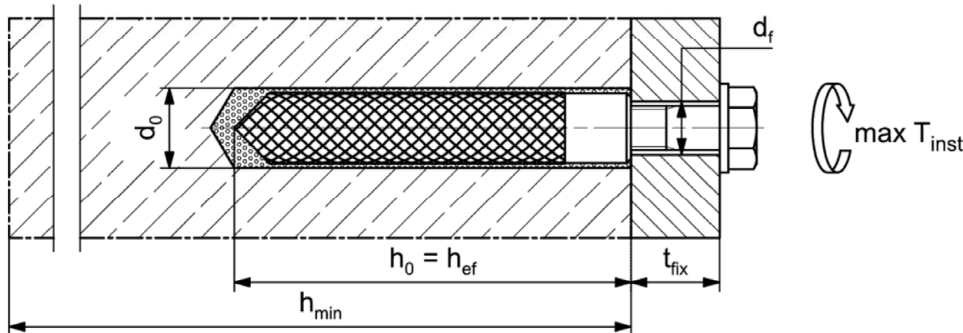
Anchor size e. g.: **M10**

Stainless steel → additional **R**; e.g.: **M10 R**

High corrosion resistant steel → additional **HCR**; e.g.: **M10 HCR**

Retaining bolt or threaded rods (including nut and washer) must comply with the appropriate material and strength class of Annex A 6, Table A6.1

**Installation conditions:**



Figures not to scale

fischer injection system FIS V Plus

**Intended use**

Installation parameters internal threaded anchors RG MI

**Annex B 6**

Appendix 14 / 35

**Table B7.1:** Installation parameters for reinforcing bars <sup>1)</sup>

Nominal diameter of the bar		$\phi$	8 <sup>2)</sup>		10 <sup>2)</sup>		12 <sup>2)</sup>		14	16	20	25	28
Nominal drill hole diameter	$d_0$	[mm]	10	12	12	14	14	16	18	20	25	30	35
Drill hole depth	$h_0$		$h_0 = h_{ef}$										
Effective embedment depth	$h_{ef,min}$		60	60	70	75	80	90	100	112			
	$h_{ef,max}$		160	200	240	280	320	400	500	560			
Minimum spacing and minimum edge distance	$s_{min}$ = $c_{min}$		40	45	55	60	65	85	110	130			
Minimum thickness of concrete member	$h_{min}$	$h_{ef} + 30$ ( $\geq 100$ )					$h_{ef} + 2d_0$						

<sup>1)</sup> minimum spacing and minimum edge distance see Annex B 4

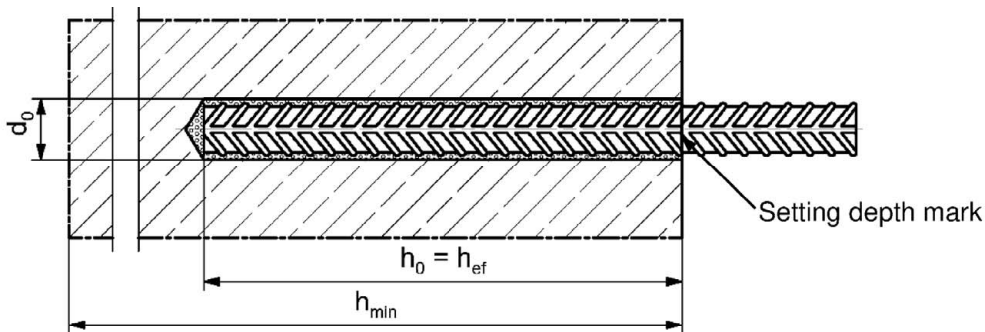
<sup>2)</sup> Both drill hole diameters can be used

**Reinforcing bar**



- The minimum value of related rib area  $f_{R,min}$  must fulfil the requirements of EN 1992-1-1:2004+AC:2010
- The rib height must be within the range:  $0,05 \cdot \phi \leq h_{rib} \leq 0,07 \cdot \phi$   
( $\phi$  = Nominal diameter of the bar,  $h_{rib}$  = rib height)

**Installation conditions:**



Figures not to scale

fischer injection system FIS V Plus

**Intended use**  
Installation parameters reinforcing bars

**Annex B 7**

Appendix 15 / 35

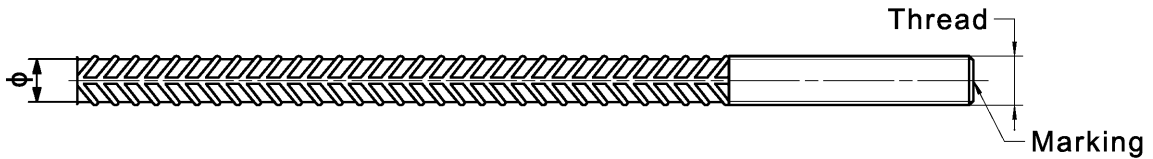
**Table B8.1:** Installation parameters for **fischer rebar anchor FRA** <sup>1)</sup>

Rebar anchor FRA		Thread	M12 <sup>2)</sup>	M16	M20	M24
Nominal diameter of the bar	$\phi$	[mm]	12	16	20	25
Width across flats	SW		19	24	30	36
Nominal drill hole diameter	$d_0$		14	16	20	30
Drill hole depth	$h_0$		$h_{ef} + l_e$			
Effective embedment depth	$h_{ef,min}$		70	80	90	96
	$h_{ef,max}$		140	220	300	380
Distance concrete surface to welded joint	$l_e$		100			
Minimum spacing and minimum edge distance	$S_{min}$		55	65	85	105
	$C_{min}$					
Diameter of clearance hole in the fixture	pre-positioned anchorage $\leq d_f$		14	18	22	26
	push through anchorage $\leq d_f$	18	22	26	32	
Minimum thickness of concrete member	$h_{min}$	$h_0 + 30$	$h_0 + 2d_0$			
Maximum installation torque	$\max T_{inst}$	[Nm]	40	60	120	150

<sup>1)</sup> minimum spacing and minimum edge distance see Annex B 5

<sup>2)</sup> Both drill hole diameters can be used

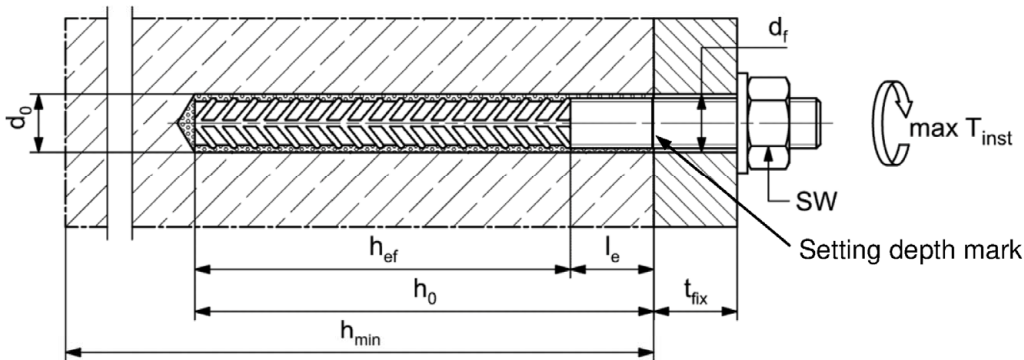
**fischer rebar anchor FRA**



Marking frontal e.g:

- FRA (for stainless steel);
- FRA HCR (for high corrosion resistant steel)

**Installation conditions:**



Figures not to scale

fischer injection system FIS V Plus

**Intended use**  
Installation parameters rebar anchor FRA

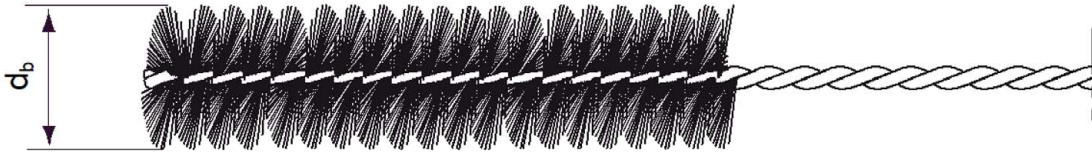
**Annex B 8**

Appendix 16 / 35

**Table B9.1: Parameters of the cleaning brush BS (steel brush with steel bristles)**

The size of the cleaning brush refers to the drill hole diameter

Nominal drill hole diameter	$d_0$	[mm]	8	10	12	14	16	18	20	24	25	28	30	35
Steel brush diameter	$d_b$		9	11	14	16	20		25	26	27	30	40	



**Table B9.2 Maximum processing time of the mortar and minimum curing time**  
(During the curing time of the mortar the concrete temperature may not fall below the listed minimum temperature)

Temperature at anchoring base [°C]	Maximum processing time $t_{work}$			Minimum curing time <sup>1)</sup> $t_{cure}$		
	FIS VW Plus High Speed	FIS V Plus	FIS VS Plus Low Speed	FIS VW Plus High Speed	FIS V Plus	FIS VS Plus Low Speed
-10 to -5 <sup>2)</sup>	-	-	-	12 h	-	-
> -5 to 0 <sup>2)</sup>	5 min	-	-	3 h	24 h	-
> 0 to 5 <sup>2)</sup>	5 min	13 min	-	3 h	3 h	6 h
> 5 to 10	3 min	9 min	20 min	50 min	90 min	3 h
> 10 to 20	1 min	5 min	10 min	30 min	60 min	2 h
> 20 to 30	-	4 min	6 min	-	45 min	60 min
> 30 to 40	-	2 min	4 min	-	35 min	30 min

<sup>1)</sup> In wet concrete or water filled holes the curing times must be doubled

<sup>2)</sup> Minimal cartridge temperature +5°C

fischer injection system FIS V Plus

**Intended use**

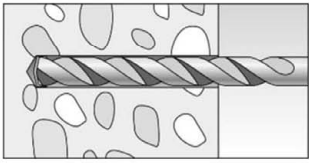
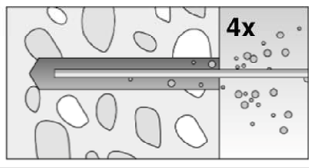
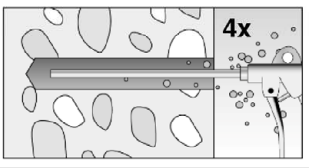
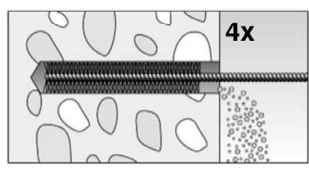
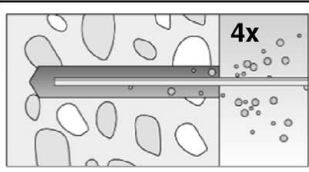
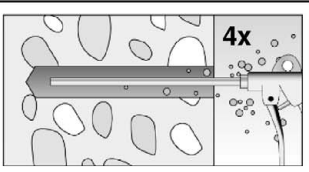
Cleaning brush (steel brush)  
Processing time and curing time

**Annex B 9**

Appendix 17 / 35

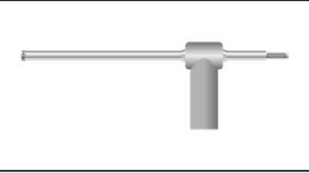
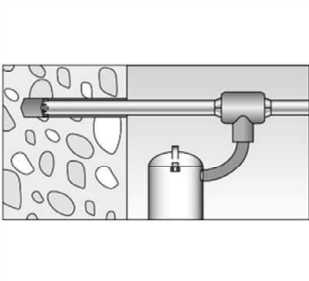
# Installation instructions part 1

## Drilling and cleaning the hole (hammer drilling with standard drill bit)

1		<p>Drill the hole. Nominal drill hole diameter <math>d_0</math> and drill hole depth <math>h_0</math> see <b>tables B3.1, B6.1, B7.1, B8.1</b></p>		
2		<p>Clean the drill hole: For <math>h_{ef} \leq 12d</math> and <math>d_0 &lt; 18</math> mm blow out the hole four times by hand</p>		<p>For <math>h_{ef} &gt; 12d</math> and / or <math>d_0 \geq 18</math> mm blow out the hole four times with oil-free compressed air (<math>p \geq 6</math> bar)</p>
3		<p>Brush the drill hole four times. For drill hole diameter <math>\geq 30</math> mm use a power drill. For deep holes use an extension. Corresponding brushes see <b>table B9.1</b></p>		
4		<p>Clean the drill hole: For <math>h_{ef} \leq 12d</math> and <math>d_0 &lt; 18</math> mm blow out the hole four times by hand</p>		<p>For <math>h_{ef} &gt; 12d</math> and / or <math>d_0 \geq 18</math> mm blow out the hole four times with oil-free compressed air (<math>p \geq 6</math> bar)</p>

Go to step 5

## Drilling and cleaning the hole (hammer drilling with hollow drill bit)

1		<p>Check a suitable hollow drill (see <b>table B1.1</b>) for correct operation of the dust extraction</p>	
2		<p>Use a suitable dust extraction system, e.g. fischer FVC 35 M or a comparable dust extraction system with equivalent performance data</p> <p>Drill the hole with hollow drill bit. The dust extraction system has to extract the drill dust nonstop during the drilling process and must be adjusted to maximum power. Nominal drill hole diameter <math>d_0</math> and drill hole depth <math>h_0</math> see <b>tables B3.1, B6.1, B7.1, B8.1</b></p>	

Go to step 5

fischer injection system FIS V Plus

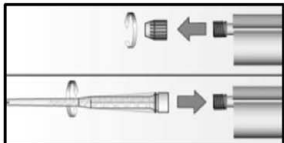
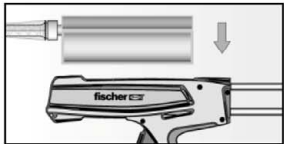
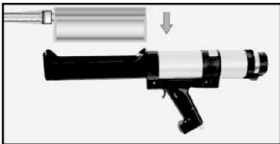

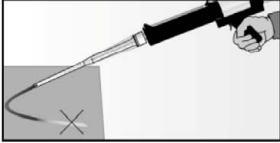
**Intended use**  
Installation instructions part 1

**Annex B 10**

Appendix 18 / 35

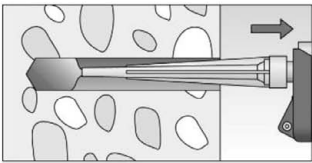
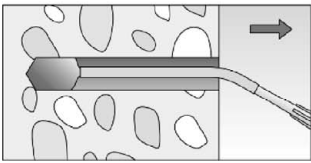
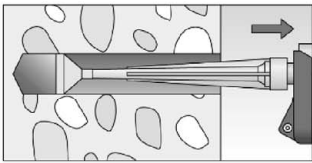
## Installation instructions part 2

### Preparing the cartridge

5		<p>Remove the sealing cap</p> <p>Screw on the static mixer (the spiral in the static mixer must be clearly visible)</p>
6		 <p>Place the cartridge into the dispenser</p>
7		 <p>Extrude approximately 10 cm of material out until the resin is evenly grey in colour. Do not use mortar that is not uniformly grey</p>

Go to step 8

### Injection of the mortar

8	 <p>Fill approximately 2/3 of the drill hole with mortar. Always begin from the bottom of the hole and avoid bubbles</p>	 <p>For drill hole depth <math>\geq 150</math> mm use an extension tube</p>	 <p>For overhead installation, deep holes (<math>h_0 &gt; 250</math> mm) or drill hole diameter (<math>d_0 \geq 40</math> mm) use an injection adapter</p>
---	---	--	---

Go to step 9

fischer injection system FIS V Plus

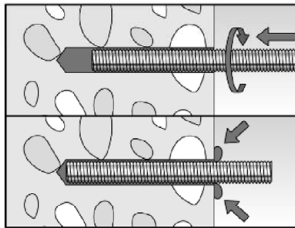
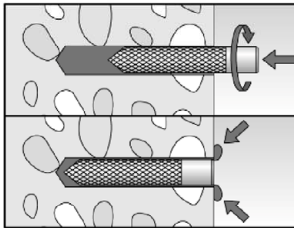
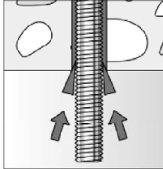
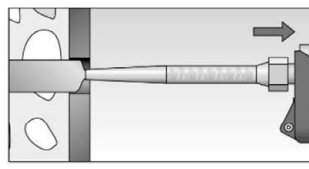

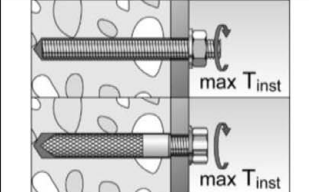
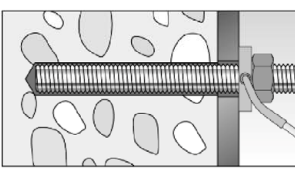
**Intended use**  
Installation instructions part 2

**Annex B 11**

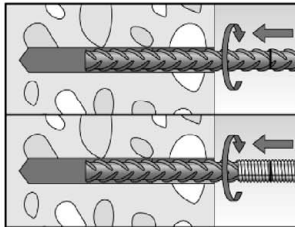
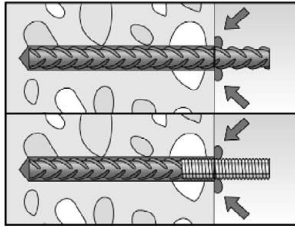

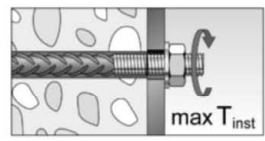
Appendix 19 / 35

### Installation instructions part 3

#### Installation of anchor rods or fischer internal threaded anchors RG MI

9			<p>Only use clean and oil-free metal parts. Mark the setting depth of the metal part. Push the anchor rod or fischer internal threaded RG MI anchor down to the bottom of the hole, turning it slightly while doing so. After inserting the metal parts, excess mortar must be emerged around the anchor element.</p>
		<p>For overhead installations support the metal part with wedges (e.g. fischer centering wedges) or fischer overhead clips.</p>	 <p>For push through installation fill the annular gap with mortar</p>
10		<p>Wait for the specified curing time <math>t_{cure}</math> see <b>table B9.2</b></p>	<p>11</p>  <p>Mounting the fixture <math>\max T_{inst}</math> see <b>tables B3.1 and B6.1</b></p>
Option		<p>After the minimum curing time is reached, the gap between metal part and fixture (annular clearance) may be filled with mortar via the fischer filling disc. Compressive strength <math>\geq 50 \text{ N/mm}^2</math> (e.g. fischer injection mortars FIS HB, FIS SB, FIS V, FIS V Plus, FIS EM Plus). ATTENTION: Using fischer filling disc reduces <math>t_{fix}</math> (usable length of the anchor)</p>	

#### Installation reinforcing bars and fischer rebar anchor FRA

9		<p>Only use clean and oil-free reinforcing bars or fischer FRA. Mark the setting depth. Turn while using force to push the reinforcement bar or the fischer FRA into the filled hole up to the setting depth mark.</p>	
		<p>When the setting depth mark is reached, excess mortar must be emerged from the mouth of the drill hole.</p>	
10		<p>Wait for the specified curing time <math>t_{cure}</math> see <b>table B9.2</b></p>	<p>11</p>  <p>Mounting the fixture <math>\max T_{inst}</math> see <b>table B8.1</b></p>

fischer injection system FIS V Plus

**Intended use**  
Installation instructions part 3

**Annex B 12**

Appendix 20 / 35

**Table C1.1: Characteristic values for steel failure under tension / shear load of fischer anchor rods and standard threaded rods**

Anchor rod / standard threaded rod			M6	M8	M10	M12	M16	M20	M24	M27	M30		
<b>Bearing capacity under tension load, steel failure <sup>3)</sup></b>													
Characteristic resistance $N_{Rk,s}$	Steel zinc plated	Property class	4.8	[kN]	8	15(13)	23(21)	33	63	98	141	184	224
			5.8		10	19(17)	29(27)	43	79	123	177	230	281
			8.8		16	29(27)	47(43)	68	126	196	282	368	449
	Stainless steel R and high corrosion resistant steel HCR		50		10	19	29	43	79	123	177	230	281
			70		14	26	41	59	110	172	247	322	393
			80		16	30	47	68	126	196	282	368	449
<b>Partial factors <sup>1)</sup></b>													
Partial factor $\gamma_{Ms,N}$	Steel zinc plated	Property class	4.8	[-]	1,50								
			5.8		1,50								
			8.8		1,50								
	Stainless steel R and high corrosion resistant steel HCR		50		2,86								
			70		1,50 <sup>2)</sup> / 1,87								
			80		1,60								
<b>Bearing capacity under shear load, steel failure <sup>3)</sup></b>													
<b>without lever arm</b>													
Characteristic resistance $V_{Rk,s}^0$	Steel zinc plated	Property class	4.8	[kN]	4	9(8)	14(13)	20	38	59	85	110	135
			5.8		6	11(10)	17(16)	25	47	74	106	138	168
			8.8		8	15(13)	23(21)	34	63	98	141	184	225
	Stainless steel R and high corrosion resistant steel HCR		50		5	9	15	21	39	61	89	115	141
			70		7	13	20	30	55	86	124	161	197
			80		8	15	23	34	63	98	141	184	225
Ductility factor		k <sub>7</sub>	[-]	1,0									
<b>with lever arm</b>													
Characteristic resistance $M_{Rk,s}^0$	Steel zinc plated	Property class	4.8	[Nm]	6	15(13)	30(27)	52	133	259	448	665	899
			5.8		7	19(16)	37(33)	65	166	324	560	833	1123
			8.8		12	30(26)	60(53)	105	266	519	896	1333	1797
	Stainless steel R and high corrosion resistant steel HCR		50		7	19	37	65	166	324	560	833	1123
			70		10	26	52	92	232	454	784	1167	1573
			80		12	30	60	105	266	519	896	1333	1797
<b>Partial factors <sup>1)</sup></b>													
Partial factor $\gamma_{Ms,V}$	Steel zinc plated	Property class	4.8	[-]	1,25								
			5.8		1,25								
			8.8		1,25								
	Stainless steel R and high corrosion resistant steel HCR		50		2,38								
			70		1,25 <sup>2)</sup> / 1,56								
			80		1,33								

<sup>1)</sup> In absence of other national regulations

<sup>2)</sup> Only admissible for high corrosion resist. steel HCR, with  $f_{yk} / f_{uk} \geq 0,8$  and  $A_5 > 12 \%$  (e.g. fischer anchor rods)

<sup>3)</sup> Values in brackets are valid for undersized threaded rods with smaller stress area  $A_s$  for hot dip galvanised standard threaded rods according to EN ISO 10684:2004+AC:2009

fischer injection system FIS V Plus

**Performances**

Characteristic values for steel failure under tension / shear load of fischer anchor rods and standard threaded rods

**Annex C 1**

Appendix 21 / 35



**Table C2.1: Characteristic values for steel failure under tension / shear load of fischer internal threaded anchors RG MI**

fischer internal threaded anchors RG MI			M8	M10	M12	M16	M20	
<b>Bearing capacity under tension load, steel failure</b>								
Charact. resistance with screw	$N_{Rk,s}$	Property class 5.8	[kN]	19	29	43	79	123
		8.8		29	47	68	108	179
		Property class 70 R		26	41	59	110	172
		HCR		26	41	59	110	172
<b>Partial factors<sup>1)</sup></b>								
Partial factors	$\gamma_{Ms,N}$	Property class 5.8	[-]	1,50				
		8.8		1,50				
		Property class 70 R		1,87				
		HCR		1,87				
<b>Bearing capacity under shear load, steel failure</b>								
<b>Without lever arm</b>								
Charact. resistance with screw	$V^{0}_{Rk,s}$	Property class 5.8	[kN]	9,2	14,5	21,1	39,2	62,0
		8.8		14,6	23,2	33,7	54,0	90,0
		Property class 70 R		12,8	20,3	29,5	54,8	86,0
		HCR		12,8	20,3	29,5	54,8	86,0
Ductility factor		$k_7$	[-]	1,0				
<b>With lever arm</b>								
Charact. resistance with screw	$M^0_{Rk,s}$	Property class 5.8	[Nm]	20	39	68	173	337
		8.8		30	60	105	266	519
		Property class 70 R		26	52	92	232	454
		HCR		26	52	92	232	454
<b>Partial factors<sup>1)</sup></b>								
Partial factors	$\gamma_{Ms,V}$	Property class 5.8	[-]	1,25				
		8.8		1,25				
		Property class 70 R		1,56				
		HCR		1,56				

<sup>1)</sup> In absence of other national regulations

fischer injection system FIS V Plus

**Performances**

Characteristic values for steel failure under tension / shear load of fischer internal threaded anchor RG MI

<b>Table C3.1: Characteristic values for steel failure under tension / shear load of reinforcing bars</b>										
Nominal diameter of the bar	$\phi$	8	10	12	14	16	20	25	28	
<b>Bearing capacity under tension load, steel failure</b>										
Characteristic resistance	$N_{Rk,s}$	[kN]	$A_s \cdot f_{uk}^{1)}$							
<b>Bearing capacity under shear load, steel failure</b>										
<b>Without lever arm</b>										
Characteristic resistance	$V^0_{Rk,s}$	[kN]	$0,5 \cdot A_s \cdot f_{uk}^{1)}$							
Ductility factor	$k_7$	[-]	1,0							
<b>With lever arm</b>										
Characteristic resistance	$M^0_{Rk,s}$	[Nm]	$1,2 \cdot W_{el} \cdot f_{uk}^{1)}$							
<sup>1)</sup> $f_{uk}$ or $f_{yk}$ respectively must be taken from the specifications of the reinforcing bar										

<b>Table C3.2: Characteristic values for steel failure under tension / shear load of fischer rebar anchors FRA</b>						
fischer rebar anchor FRA		M12	M16	M20	M24	
<b>Bearing capacity under tension load, steel failure</b>						
Characteristic resistance	$N_{Rk,s}$	[kN]	63	111	173	270
<b>Partial factor<sup>1)</sup></b>						
Partial factor	$\gamma_{Ms,N}$	[-]	1,4			
<b>Bearing capacity under shear load, steel failure</b>						
<b>Without lever arm</b>						
Characteristic resistance	$V^0_{Rk,s}$	[kN]	30	55	86	124
Ductility factor	$k_7$	[-]	1,0			
<b>With lever arm</b>						
Characteristic resistance	$M^0_{Rk,s}$	[Nm]	92	233	454	785
<b>Partial factor<sup>1)</sup></b>						
Partial factor	$\gamma_{Ms,V}$	[-]	1,56			
<sup>1)</sup> In absence of other national regulations						

fischer injection system FIS V Plus	<b>Annex C 3</b> Appendix 23 / 35
<b>Performances</b> Characteristic values for steel failure under tension / shear load of reinforcing bars and fischer rebar anchors FRA	

<b>Table C4.1: Characteristic values for concrete failure under tension / shear load</b>												
<b>Size</b>			<b>All sizes</b>									
<b>Tension load</b>												
Installation factor		$\gamma_{inst}$	[-]		See annex C 5 to C 12 and C 17 to C18							
<b>Factors for the compressive strength of concrete &gt; C20/25</b>												
Increasing factor for $\tau_{RK}$	C25/30		$\Psi_c$	[-]	1,05							
	C30/37				1,10							
	C35/45				1,15							
	C40/50				1,19							
	C45/55				1,22							
	C50/60				1,26							
<b>Splitting failure</b>												
Edge distance	$h / h_{ef} \geq 2,0$		$C_{cr,sp}$	[mm]	1,0 $h_{ef}$							
	$2,0 > h / h_{ef} > 1,3$				4,6 $h_{ef}$ - 1,8 h							
	$h / h_{ef} \leq 1,3$				2,26 $h_{ef}$							
Spacing		$S_{cr,sp}$	2 $C_{cr,sp}$									
<b>Concrete failure</b>												
Uncracked concrete		$k_{uor,N}$	[-]	11,0								
Cracked concrete		$k_{cr,N}$		7,7								
Edge distance		$C_{cr,N}$	[mm]	1,5 $h_{ef}$								
Spacing		$S_{cr,N}$		2 $C_{cr,N}$								
<b>Factors for sustained tension load</b>												
Temperature range			[-]		50 °C / 80 °C			72 °C / 120 °C				
Factor		$\Psi_{sus}^0$	[-]		0,76			0,78				
<b>Shear load</b>												
Installation factor		$\gamma_{inst}$	[-]		1,0							
<b>Concrete pry-out failure</b>												
Factor for pry-out failure		$k_8$	[-]		2,0							
<b>Concrete edge failure</b>												
Effective length of fastener in shear loading		$l_f$	[mm]	for $d_{nom} \leq 24$ mm: min ( $h_{ef}$ ; 12 $d_{nom}$ ) for $d_{nom} > 24$ mm: min ( $h_{ef}$ ; 8 $d_{nom}$ ; 300 mm)								
<b>Calculation diameters</b>												
Size			M6	M8	M10	M12	M16	M20	M24	M27	M30	
fischer anchor rods and standard threaded rods		$d_{nom}$	[mm]	6	8	10	12	16	20	24	27	30
fischer internal threaded anchors RG MI		$d_{nom}$		-1)	12	16	18	22	28	-1)	-1)	-1)
fischer rebar anchor FRA		$d_{nom}$		-1)	-1)	-1)	12	16	20	25	-1)	-1)
Size (nominal diameter of the bar)		$\phi$	8	10	12	14	16	20	25	28		
Reinforcing bar		$d_{nom}$	[mm]	8	10	12	14	16	20	25	28	
1) Size of anchor type not part of the assessment												
fischer injection system FIS V Plus									<b>Annex C 4</b> Appendix 24 / 35			
<b>Performances</b> Characteristic values for concrete failure under tension / shear load												

**Table C5.1: Characteristic values for combined pull-out and concrete failure for fischer anchor rods and standard threaded rods in hammer drilled holes; uncracked or cracked concrete; working life 50 years**

Anchor rod / standard threaded rod		M6	M8	M10	M12	M16	M20	M24	M27	M30			
<b>Combined pullout and concrete cone failure</b>													
Calculation diameter	d	[mm]	6	8	10	12	16	20	24	27	30		
<b>Uncracked concrete</b>													
<b>Characteristic bond resistance in uncracked concrete C20/25</b>													
Hammer-drilling with standard drill bit or hollow drill bit (dry or wet concrete)													
Tem- perature range	I: 50 °C / 80 °C		$\tau_{Rk,ucr}$	[N/mm <sup>2</sup> ]	9,0	16,0	16,0	15,0	14,0	12,0	11,0	10,0	9,0
	II: 72 °C / 120 °C				6,5	15,0	14,0	13,0	12,0	11,0	9,0	8,0	8,0
Hammer-drilling with standard drill bit or hollow drill bit (water filled hole)													
Tem- perature range	I: 50 °C / 80 °C		$\tau_{Rk,ucr}$	[N/mm <sup>2</sup> ]	-1)	-1)	-1)	9,5	8,5	8,0	7,5	7,0	7,0
	II: 72 °C / 120 °C				-1)	-1)	-1)	7,5	7,0	6,5	6,0	6,0	6,0
<b>Installation factors</b>													
Dry or wet concrete	$\gamma_{inst}$	[-]	1,0										
Water filled hole	$\gamma_{inst}$	[-]	-1)	-1)	-1)	1,2							
<b>Cracked concrete</b>													
<b>Characteristic bond resistance in cracked concrete C20/25</b>													
Hammer-drilling with standard drill bit or hollow drill bit (dry or wet concrete)													
Tem- perature range	I: 50 °C / 80 °C		$\tau_{Rk,cr}$	[N/mm <sup>2</sup> ]	-1)	5,5	6,0	6,5	6,0	5,5	5,0	5,0	4,5
	II: 72 °C / 120 °C				-1)	4,5	5,0	6,0	5,5	5,0	4,5	4,0	4,0
Hammer-drilling with standard drill bit or hollow drill bit (water filled hole)													
Tem- perature range	I: 50 °C / 80 °C		$\tau_{Rk,cr}$	[N/mm <sup>2</sup> ]	-1)	-1)	-1)	5,0	5,0	4,5	4,0	3,5	3,5
	II: 72 °C / 120 °C				-1)	-1)	-1)	4,0	4,0	4,0	3,5	3,0	3,0
<b>Installation factors</b>													
Dry or wet concrete	$\gamma_{inst}$	[-]	1,0										
Water filled hole	$\gamma_{inst}$	[-]	-1)	-1)	-1)	1,2							

<sup>1)</sup> No performance assessed

fischer injection system FIS V Plus

**Performances**

Characteristic values for combined pull-out and concrete failure for fischer anchor rod and standard threaded rods; working life 50 years

**Annex C 5**

Appendix 25 / 35

**Table C6.1: Characteristic values for combined pull-out and concrete failure for fischer anchor rods and standard threaded rods in hammer drilled holes; uncracked or cracked concrete; working life 100 years**

Anchor rod / standard threaded rod		M6	M8	M10	M12	M16	M20	M24	M27	M30			
<b>Combined pullout and concrete cone failure</b>													
Calculation diameter	d	[mm]	6	8	10	12	16	20	24	27	30		
<b>Uncracked concrete</b>													
<b>Characteristic bond resistance in uncracked concrete C20/25</b>													
Hammer-drilling with standard drill bit or hollow drill bit (dry or wet concrete)													
Tem- perature range	I: 50 °C / 80 °C		$\tau_{Rk,100,ucr}$	[N/mm <sup>2</sup> ]	-1)	16,0	16,0	15,0	14,0	12,0	11,0	10,0	9,0
	II: 72 °C / 120 °C				-1)	15,0	14,0	13,0	12,0	11,0	9,0	8,0	8,0
Hammer-drilling with standard drill bit or hollow drill bit (water filled hole)													
Tem- perature range	I: 50 °C / 80 °C		$\tau_{Rk,100,ucr}$	[N/mm <sup>2</sup> ]	-1)	-1)	-1)	9,5	8,5	8,0	7,5	7,0	7,0
	II: 72 °C / 120 °C				-1)	-1)	-1)	7,5	7,0	6,5	6,0	6,0	6,0
<b>Installation factors</b>													
Dry or wet concrete		$\gamma_{inst}$	[-]	1,0									
Water filled hole				-1)	-1)	-1)	1,2						
<b>Cracked concrete</b>													
<b>Characteristic bond resistance in cracked concrete C20/25</b>													
Hammer-drilling with standard drill bit or hollow drill bit (dry or wet concrete)													
Tem- perature range	I: 50 °C / 80 °C		$\tau_{Rk,100,cr}$	[N/mm <sup>2</sup> ]	-1)	5,0	5,5	5,5	5,5	5,5	5,0	5,0	4,5
	II: 72 °C / 120 °C				-1)	4,5	5,0	5,0	5,0	5,0	4,0	4,0	4,0
Hammer-drilling with standard drill bit or hollow drill bit (water filled hole)													
Tem- perature range	I: 50 °C / 80 °C		$\tau_{Rk,100,cr}$	[N/mm <sup>2</sup> ]	-1)	-1)	-1)	4,5	4,5	4,5	4,0	3,5	3,5
	II: 72 °C / 120 °C				-1)	-1)	-1)	4,0	4,0	4,0	3,5	3,0	3,0
<b>Installation factors</b>													
Dry or wet concrete		$\gamma_{inst}$	[-]	1,0									
Water filled hole				-1)	-1)	-1)	1,2						

<sup>1)</sup> No performance assessed

fischer injection system FIS V Plus

**Performances**

Characteristic values for combined pull-out and concrete failure for fischer anchor rod and standard threaded rods; working life 100 years

**Annex C 6**

Appendix 26 / 35

**Table C7.1: Characteristic values for combined pull-out and concrete failure for fischer internal threaded anchors RG MI in hammer drilled holes; uncracked concrete; working life 50 years**

Internal threaded anchor RG MI			M8	M10	M12	M16	M20	
<b>Combined pullout and concrete cone failure</b>								
Calculation diameter	d	[mm]	12	16	18	22	28	
<b>Uncracked concrete</b>								
<b>Characteristic bond resistance in uncracked concrete C20/25</b>								
Hammer-drilling with standard drill bit or hollow drill bit (dry or wet concrete)								
Tem- perature range	I: 50 °C / 80 °C	$\tau_{Rk,ucr}$	[N/mm <sup>2</sup> ]	10,5	10,0	9,5	9,0	8,5
	II: 72 °C / 120 °C			9,0	8,0	8,0	7,5	7,0
Hammer-drilling with standard drill bit or hollow drill bit (water filled hole)								
Tem- perature range	I: 50 °C / 80 °C	$\tau_{Rk,ucr}$	[N/mm <sup>2</sup> ]	10,0	9,0	9,0	8,5	8,0
	II: 72 °C / 120 °C			7,5	6,5	6,5	6,0	6,0
<b>Installation factors</b>								
Dry or wet concrete	$\gamma_{inst}$	[-]				1,0		
Water filled hole						1,2		

fischer injection system FIS V Plus

**Performances**

Characteristic values for combined pull-out and concrete failure for fischer internal threaded anchors RG MI; working life 50 years

**Annex C 7**

Appendix 27 / 35

**Table C8.1: Characteristic values for combined pull-out and concrete failure for reinforcing bars in hammer drilled holes; uncracked or cracked concrete; working life 50 years**

Nominal diameter of the bar		$\phi$	8	10	12	14	16	20	25	28		
<b>Combined pullout and concrete cone failure</b>												
Calculation diameter		d	[mm]	8	10	12	14	16	20	25	28	
<b>Uncracked concrete</b>												
<b>Characteristic bond resistance in uncracked concrete C20/25</b>												
Hammer-drilling with standard drill bit or hollow drill bit (dry or wet concrete)												
Temperature range	I: 50 °C / 80 °C		$\tau_{Rk,ucr}$	[N/mm <sup>2</sup> ]	11,0	11,0	11,0	10,0	10,0	9,5	9,0	8,5
	II: 72 °C / 120 °C				9,5	9,5	9,0	8,5	8,5	8,0	7,5	7,0
<b>Installation factor</b>												
Dry or wet concrete		$\gamma_{inst}$	[-]	1,0								
<b>Cracked concrete</b>												
<b>Characteristic bond resistance in cracked concrete C20/25</b>												
Hammer-drilling with standard drill bit or hollow drill bit (dry or wet concrete)												
Temperature range	I: 50 °C / 80 °C		$\tau_{Rk,ucr}$	[N/mm <sup>2</sup> ]	- <sup>1)</sup>	3,0	5,0	5,0	5,0	4,5	4,0	4,0
	II: 72 °C / 120 °C				- <sup>1)</sup>	3,0	4,5	4,5	4,5	4,0	3,5	3,5
<b>Installation factor</b>												
Dry or wet concrete		$\gamma_{inst}$	[-]	1,0								

<sup>1)</sup> No performance assessed

fischer injection system FIS V Plus

**Performances**

Characteristic values for combined pull-out and concrete failure for reinforcing bars; working life 50 years

**Table C9.1: Characteristic values for combined pull-out and concrete failure for fischer rebar anchors FRA in hammer drilled holes; uncracked or cracked concrete; working life 50 years**

fischer rebar anchor FRA		M12	M16	M20	M24	
<b>Combined pullout and concrete cone failure</b>						
Calculation diameter	d [mm]	12	16	20	25	
<b>Uncracked concrete</b>						
<b>Characteristic bond resistance in uncracked concrete C20/25</b>						
Hammer-drilling with standard drill bit or hollow drill bit (dry or wet concrete)						
Temperature range	I: 50 °C / 80 °C	$\tau_{Rk,ucr}$ [N/mm <sup>2</sup> ]	11,0	10,0	9,5	9,5
	II: 72 °C / 120 °C		9,0	8,5	8,0	7,5
<b>Installation factors</b>						
Dry or wet concrete	$\gamma_{inst}$	[-]	1,0			
<b>Cracked concrete</b>						
<b>Characteristic bond resistance in cracked concrete C20/25</b>						
Hammer-drilling with standard drill bit or hollow drill bit (dry or wet concrete)						
Temperature range	I: 50 °C / 80 °C	$\tau_{Rk,cr}$ [N/mm <sup>2</sup> ]	5,0	5,0	4,5	4,0
	II: 72 °C / 120 °C		4,5	4,5	4,0	3,5
<b>Installation factors</b>						
Dry or wet concrete	$\gamma_{inst}$	[-]	1,0			

fischer injection system FIS V Plus

**Performances**

Characteristic values for combined pull-out and concrete failure for fischer rebar anchors FRA; working life 50 years

**Annex C 9**



**Table C10.1: Displacements for anchor rods**

Anchor rod		M6	M8	M10	M12	M16	M20	M24	M27	M30
<b>Displacement-Factors for tension load<sup>1)</sup></b>										
<b>Uncracked concrete; Temperature range I, II</b>										
$\delta_{N0}$ -Factor	[mm/(N/mm <sup>2</sup> )]	0,09	0,09	0,09	0,10	0,10	0,10	0,10	0,11	0,12
$\delta_{N\infty}$ -Factor		0,10	0,10	0,10	0,12	0,12	0,12	0,13	0,13	0,14
<b>Cracked concrete; Temperature range I, II</b>										
$\delta_{N0}$ -Factor	[mm/(N/mm <sup>2</sup> )]	- <sup>3)</sup>	0,12	0,12	0,12	0,13	0,13	0,13	0,14	0,15
$\delta_{N\infty}$ -Factor		- <sup>3)</sup>	0,25	0,27	0,30	0,30	0,30	0,35	0,35	0,40
<b>Displacement-Factors for shear load<sup>2)</sup></b>										
<b>Uncracked or cracked concrete; Temperature range I, II</b>										
$\delta_{V0}$ -Factor	[mm/kN]	0,11	0,11	0,11	0,10	0,10	0,09	0,09	0,08	0,07
$\delta_{V\infty}$ -Factor		0,12	0,12	0,12	0,11	0,11	0,10	0,10	0,09	0,09
1) Calculation of effective displacement: $\delta_{N0} = \delta_{N0\text{-Factor}} \cdot \tau_{Ed}$ $\delta_{N\infty} = \delta_{N\infty\text{-Factor}} \cdot \tau_{Ed}$ ( $\tau_{Ed}$ : Design value of the applied tensile stress)					2) Calculation of effective displacement: $\delta_{V0} = \delta_{V0\text{-Factor}} \cdot V_{Ed}$ $\delta_{V\infty} = \delta_{V\infty\text{-Factor}} \cdot V_{Ed}$ ( $V_{Ed}$ : Design value of the applied shear force)					
3) No performance assessed										

**Table C10.2: Displacements for fischer internal threaded anchors RG MI**

Internal threaded anchor RG MI		M8	M10	M12	M16	M20
<b>Displacement-Factors for tension load<sup>1)</sup></b>						
<b>Uncracked concrete; Temperature range I, II</b>						
$\delta_{N0}$ -Factor	[mm/(N/mm <sup>2</sup> )]	0,10	0,11	0,12	0,13	0,14
$\delta_{N\infty}$ -Factor		0,13	0,14	0,15	0,16	0,18
<b>Displacement-Factors for shear load<sup>2)</sup></b>						
<b>Uncracked concrete; Temperature range I, II</b>						
$\delta_{V0}$ -Factor	[mm/kN]	0,12	0,12	0,12	0,12	0,12
$\delta_{V\infty}$ -Factor		0,14	0,14	0,14	0,14	0,14
1) Calculation of effective displacement: $\delta_{N0} = \delta_{N0\text{-Factor}} \cdot \tau_{Ed}$ $\delta_{N\infty} = \delta_{N\infty\text{-Factor}} \cdot \tau_{Ed}$ ( $\tau_{Ed}$ : Design value of the applied tensile stress)			2) Calculation of effective displacement: $\delta_{V0} = \delta_{V0\text{-Factor}} \cdot V_{Ed}$ $\delta_{V\infty} = \delta_{V\infty\text{-Factor}} \cdot V_{Ed}$ ( $V_{Ed}$ : Design value of the applied shear force)			

fischer injection system FIS V Plus

**Performances**

Displacements for anchor rods and fischer internal threaded anchors RG MI

**Annex C 10**

**Table C11.1: Displacements for reinforcing bars**

Nominal diameter of the bar $\phi$		8	10	12	14	16	20	25	28
<b>Displacement-Factors for tension load<sup>1)</sup></b>									
<b>Uncracked concrete; Temperature range I, II</b>									
$\delta_{N0}$ -Factor	[mm/(N/mm <sup>2</sup> )]	0,09	0,09	0,10	0,10	0,10	0,10	0,10	0,11
$\delta_{N\infty}$ -Factor		0,10	0,10	0,12	0,12	0,12	0,12	0,12	0,13
<b>Cracked concrete; Temperature range I, II</b>									
$\delta_{N0}$ -Factor	[mm/(N/mm <sup>2</sup> )]	- <sup>3)</sup>	0,12	0,13	0,13	0,13	0,13	0,13	0,14
$\delta_{N\infty}$ -Factor		- <sup>3)</sup>	0,27	0,30	0,30	0,30	0,30	0,30	0,35
<b>Displacement-Factors for shear load<sup>2)</sup></b>									
<b>Uncracked or cracked concrete; Temperature range I, II</b>									
$\delta_{V0}$ -Factor	[mm/kN]	0,11	0,11	0,10	0,10	0,10	0,09	0,09	0,08
$\delta_{V\infty}$ -Factor		0,12	0,12	0,11	0,11	0,11	0,10	0,10	0,09
<sup>1)</sup> Calculation of effective displacement: $\delta_{N0} = \delta_{N0}\text{-Factor} \cdot \tau_{Ed}$ $\delta_{N\infty} = \delta_{N\infty}\text{-Factor} \cdot \tau_{Ed}$ ( $\tau_{Ed}$ : Design value of the applied tensile stress)					<sup>2)</sup> Calculation of effective displacement: $\delta_{V0} = \delta_{V0}\text{-Factor} \cdot V_{Ed}$ $\delta_{V\infty} = \delta_{V\infty}\text{-Factor} \cdot V_{Ed}$ ( $V_{Ed}$ : Design value of the applied shear force)				
<sup>3)</sup> No performance assessed									

**Table C11.2: Displacements for fischer rebar anchors FRA**

fischer rebar anchor FRA	M12	M16	M20	M24
<b>Displacement-Factors for tension load<sup>1)</sup></b>				
<b>Uncracked concrete; Temperature range I, II</b>				
$\delta_{N0}$ -Factor	0,10		0,10	
$\delta_{N\infty}$ -Factor	0,12		0,12	
<b>Cracked concrete; Temperature range I, II</b>				
$\delta_{N0}$ -Factor	0,12		0,13	
$\delta_{N\infty}$ -Factor	0,30		0,30	
<b>Displacement-Factors for shear load<sup>2)</sup></b>				
<b>Uncracked or cracked concrete; Temperature range I, II</b>				
$\delta_{V0}$ -Factor	0,10		0,09	
$\delta_{V\infty}$ -Factor	0,11		0,10	
<sup>1)</sup> Calculation of effective displacement: $\delta_{N0} = \delta_{N0}\text{-Factor} \cdot \tau_{Ed}$ $\delta_{N\infty} = \delta_{N\infty}\text{-Factor} \cdot \tau_{Ed}$ ( $\tau_{Ed}$ : Design value of the applied tensile stress)		<sup>2)</sup> Calculation of effective displacement: $\delta_{V0} = \delta_{V0}\text{-Factor} \cdot V_{Ed}$ $\delta_{V\infty} = \delta_{V\infty}\text{-Factor} \cdot V_{Ed}$ ( $V_{Ed}$ : Design value of the applied shear force)		

fischer injection system FIS V Plus

**Performances**  
Displacements for reinforcing bars and fischer rebar anchors FRA

**Annex C 11**

Appendix 31 / 35

**Table C12.1: Characteristic values for steel failure under tension / shear load of fischer anchor rods and standard threaded rods under seismic action performance category C1 or C2**

Anchor rod / standard threaded rod		M10	M12	M16	M20	M24	M27	M30		
<b>Bearing capacity under tension load, steel failure<sup>1)</sup></b>										
<b>fischer anchor rods and standard threaded rods, performance category C1<sup>2)</sup></b>										
Characteristic resistance $N_{Rk,s,C1}$	Steel zinc plated	Property class 5.8	[kN]	29(27)	43	79	123	177	230	281
		8.8		47(43)	68	126	196	282	368	449
	Stainless steel R and high corrosion resistant steel HCR	50		29	43	79	123	177	230	281
		70		41	59	110	172	247	322	393
		80		47	68	126	196	282	368	449
<b>fischer anchor rods, performance category C2<sup>2)</sup></b>										
Characteristic resistance $N_{Rk,s,C2}$	Steel zinc plated	Property class 5.8	[kN]	- <sup>4)</sup>	39	72	108	- <sup>4)</sup>	- <sup>4)</sup>	- <sup>4)</sup>
		8.8		- <sup>4)</sup>	61	116	173	- <sup>4)</sup>	- <sup>4)</sup>	- <sup>4)</sup>
	Stainless steel R and high corrosion resistant steel HCR	50		- <sup>4)</sup>	39	72	108	- <sup>4)</sup>	- <sup>4)</sup>	- <sup>4)</sup>
		70		- <sup>4)</sup>	53	101	152	- <sup>4)</sup>	- <sup>4)</sup>	- <sup>4)</sup>
		80		- <sup>4)</sup>	61	116	173	- <sup>4)</sup>	- <sup>4)</sup>	- <sup>4)</sup>
<b>Bearing capacity under shear load, steel failure without lever arm<sup>1)</sup></b>										
<b>fischer anchor rods, performance category C1<sup>2)</sup></b>										
Characteristic resistance $V_{Rk,s,C1}$	Steel zinc plated	Property class 5.8	[kN]	17(16)	25	47	74	106	138	168
		8.8		23(21)	34	63	98	141	184	225
	Stainless steel R and high corrosion resistant steel HCR	50		15	21	39	61	89	115	141
		70		20	30	55	86	124	161	197
		80		23	34	63	98	141	184	225
<b>Standard threaded rods, performance category C1<sup>2)</sup></b>										
Characteristic resistance $V_{Rk,s,C1}$	Steel zinc plated	Property class 5.8	[kN]	12(11)	17	33	52	74	97	118
		8.8		16(14)	24	44	69	99	129	158
	Stainless steel R and high corrosion resistant steel HCR	50		11	15	27	43	62	81	99
		70		14	21	39	60	87	113	138
		80		16	24	44	69	99	129	158
<b>fischer anchor rods, performance category C2</b>										
Characteristic resistance $V_{Rk,s,C2}$	Steel zinc plated	Property class 5.8	[kN]	- <sup>4)</sup>	14	27	43	- <sup>4)</sup>	- <sup>4)</sup>	- <sup>4)</sup>
		8.8		- <sup>4)</sup>	22	44	69	- <sup>4)</sup>	- <sup>4)</sup>	- <sup>4)</sup>
	Stainless steel R and high corrosion resistant steel HCR	50		- <sup>4)</sup>	14	27	43	- <sup>4)</sup>	- <sup>4)</sup>	- <sup>4)</sup>
		70		- <sup>4)</sup>	20	39	60	- <sup>4)</sup>	- <sup>4)</sup>	- <sup>4)</sup>
		80		- <sup>4)</sup>	22	44	69	- <sup>4)</sup>	- <sup>4)</sup>	- <sup>4)</sup>
Factor for the annular gap	$\alpha_{gap}$	[-]	0,5 (1,0) <sup>3)</sup>							

<sup>1)</sup> Partial factors for performance category C1 or C2 see table C13.1; for fischer anchor rods FIS A / RGM the factor for steel ductility is 1,0

<sup>2)</sup> Values in brackets are valid for undersized threaded rods with smaller stress area  $A_s$  and for hot dip galvanised standard threaded rods according to EN ISO 10684:2004+AC:2009.

<sup>3)</sup> Values in brackets are valid for filled annular gaps between the anchor rod and the through-hole in the attachment. It is necessary to use the fischer filling disc according to Annex A 5

<sup>4)</sup> No performance assessed

fischer injection system FIS V Plus

**Performances**

Characteristic values for steel failure under tension / shear load for fischer anchor rods and standard threaded rods under seismic action (performance category C1 / C2)

**Annex C 12**

Appendix 32 / 35

**Table C13.1: Partial factors for fischer anchor rods, standard threaded rods under seismic action performance category C1 or C2**

Anchor rod / standard threaded rod			M10	M12	M16	M20	M24	M27	M30
<b>Tension load, steel failure<sup>1)</sup></b>									
Partial factor $\gamma_{Ms,N}$	Steel zinc plated	Property class	5.8	[-]	1,50				
			8.8		1,50				
	Stainless steel R and high corrosion resistant steel HCR		50		2,86				
			70		1,50 <sup>2)</sup> / 1,87				
			80		1,60				
<b>Shear load, steel failure<sup>1)</sup></b>									
Partial factor $\gamma_{Ms,V}$	Steel zinc plated	Property class	5.8	[-]	1,25				
			8.8		1,25				
	Stainless steel R and high corrosion resistant steel HCR		50		2,38				
			70		1,25 <sup>2)</sup> / 1,56				
			80		1,33				

<sup>1)</sup> In absence of other national regulations

<sup>2)</sup> Only admissible for high corrosion resistant steel HCR, with  $f_{yk} / f_{uk} \geq 0,8$  and  $A_5 > 12\%$  (e.g. fischer anchor rods)

fischer injection system FIS V Plus

**Performances**

Partial factors under seismic action (performance category C1 and C2) for fischer anchor rods and standard threaded rods

**Annex C 13**

Appendix 33 / 35

**Table C14.1: Characteristic values** for combined pull-out and concrete failure for **fischer anchor rods** and **standard threaded rods** in hammer drilled holes under seismic action performance category **C1, working life 50 and 100 years**

Anchor rod / standard threaded rod		M10	M12	M16	M20	M24	M27	M30	
<b>Characteristic bond resistance, combined pullout and concrete cone failure</b>									
<b>Hammer-drilling with standard drill bit or hollow drill bit (dry or wet concrete)</b>									
Temperature range	I: 50 °C / 80 °C	$\tau_{Rk,C1}$ [N/mm <sup>2</sup> ]	4,5	5,5	5,5	5,5	4,5	4,0	4,0
	II: 72 °C / 120 °C		4,0	4,5	4,5	4,5	4,0	3,5	3,5
<b>Hammer-drilling with standard drill bit or hollow drill bit (water filled hole)</b>									
Temperature range	I: 50 °C / 80 °C	$\tau_{Rk,C1}$ [N/mm <sup>2</sup> ]	- <sup>1)</sup>	5,0	5,0	4,5	4,0	3,5	3,5
	II: 72 °C / 120 °C		- <sup>1)</sup>	4,0	4,0	4,0	3,5	3,0	3,0
<b>Installation factors</b>									
Dry or wet concrete	$\gamma_{inst}$	[-]	1,0						
Water filled hole			- <sup>1)</sup>	1,2					

<sup>1)</sup> No performance assessed

fischer injection system FIS V Plus

**Performances**

Characteristic values under seismic action (performance category C1) for fischer anchor rods and standard threaded rods, working life 50 and 100 years

**Annex C 14**

Appendix 34 / 35

**Table C15.1: Characteristic values for combined pull-out and concrete failure for fischer anchor rods in hammer drilled holes under seismic action performance category C2; working life 50 and 100 years**

Anchor rod / standard threaded rod		M12	M16	M20	
<b>Characteristic bond resistance, combined pullout and concrete cone failure</b>					
<b>Hammer-drilling with standard drill bit or hollow drill bit (dry or wet concrete)</b>					
Tem- perature range	I: 50 °C / 80 °C	$\tau_{Rk,C2}$ [N/mm <sup>2</sup> ]	1,5	1,3	2,1
	II: 72 °C / 120 °C		1,3	1,2	1,9
<b>Hammer-drilling with standard drill bit or hollow drill bit (water filled hole)</b>					
Tem- perature range	I: 50 °C / 80 °C	$\tau_{Rk,C2}$ [N/mm <sup>2</sup> ]	1,3	1,1	1,8
	II: 72 °C / 120 °C		1,1	1,0	1,6
<b>Displacement-Factors for tension load<sup>1)</sup></b>					
$\delta_{N,C2}$ (DLS)-Factor	[mm/(N/mm <sup>2</sup> )]	0,20	0,13	0,21	
$\delta_{N,C2}$ (ULS)-Factor		0,38	0,18	0,24	
<b>Displacement-Factors for shear load<sup>2)</sup></b>					
$\delta_{V,C2}$ (DLS)-Factor	[mm/kN]	0,18	0,10	0,07	
$\delta_{V,C2}$ (ULS)-Factor		0,25	0,14	0,11	
<p>1) Calculation of effective displacement:  <math>\delta_{N,C2}</math> (DLS) = <math>\delta_{N,C2}</math> (DLS)-Factor · <math>\tau_{Ed}</math>  <math>\delta_{N,C2}</math> (ULS) = <math>\delta_{N,C2}</math> (ULS)-Factor · <math>\tau_{Ed}</math>                      (<math>\tau_{Ed}</math>: Design value of the applied tensile stress)</p>		<p>2) Calculation of effective displacement:  <math>\delta_{V,C2}</math> (DLS) = <math>\delta_{V,C2}</math> (DLS)-Factor · <math>V_{Ed}</math>  <math>\delta_{V,C2}</math> (ULS) = <math>\delta_{V,C2}</math> (ULS)-Factor · <math>V_{Ed}</math>                      (<math>V_{Ed}</math>: Design value of the applied shear force)</p>			
<p>3) No performance assessed</p>					

fischer injection system FIS V Plus

**Performances**

Characteristic values under seismic action (performance category C2) for fischer anchor rods; working life 50 and 100 years

**Annex C 15**